

# **Staircase European-style cable tray specifications**





## Staircase European-style cable tray specifications

---

### 26 05 36 Cable Trays for Electrical Systems

EATON B-LINE SERIES GUIDE SPECIFICATION  
Section 26 05 36 - CABLE TRAYS FOR  
ELECTRICAL SYSTEMS 26 05 364/2025 Specifier  
Notes: This product guide specification is written



### Cable Trays

Cable Trays Cable tray is a system used to safely carry and protect electrical cables along pathways planned specifically for building and facility installations.



### Codes and Standards , Cable Tray Institute

The Cable Tray Institute is making available the current edition of this practical guide for the proper installation of aluminum or steel cable tray systems. These guidelines will be useful to engineers,



### GUIDE CABLE TRAYS TECHNICAL

NEMA VE 1-2017 Specifies requirements for metal cable trays and associated fittings designed for use in accordance with the rules of Canadian Electrical Code, Part I and the National Electrical Code®



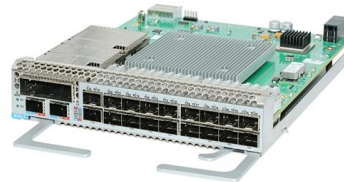
### Products

These are cable management systems composed of trays, mounting support systems, direction changing parts, connection parts and fittings with the purpose



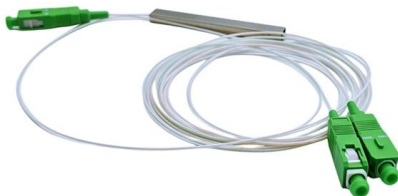
### CABLE TRAY, CABLE LADDER, CABLE TRUNKING CATALOGUE

Length (W): 200. ng to tray height. Depth (D): 1.2mm, 1.5mm, Material: Mild steel sheet / PO steel sheet. Constructed Type: MIG welding. er coating / Hot ip galvanize / Bare galvan 4 Hanger Support.



### CABLE TRAY INSTITUTE

Fabricated in numerous styles (wiremesh, ladder, ventilated trough, channel, and solid-bottom) and sizes, cable tray provides the greatest versatility among cable





## Guide to cable support systems

Four different mesh cable tray types are available, depending on the requirements, area of application and cable quantity. The innovative Magic connection system of the GRM and G-GRM mesh cable



### **Cable Tray Technical Guide A practical guide to product selection and**

A practical guide to product selection and installation This guide for engineers and installers has been developed by ABB as a practical reference regarding cable tray characteristics, installation, and

## **Eurostair® spiral staircase standard**

We have gathered technical information about our standard spiral staircase, longer product description, and information about project planning.



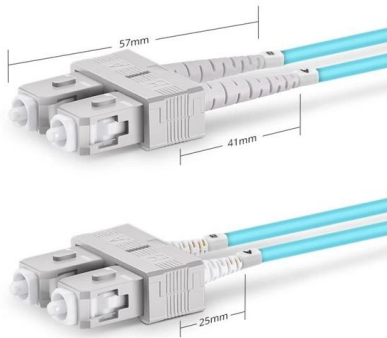
### **European Staircase Design and Construction Requirements: A**

European staircase design harmonizes safety, accessibility, and sustainability through rigorous codes like Eurocode and national regulations. By integrating smart materials, modular construction, and



## Full cable tray systems specification document

B. Cable tray systems are defined to include, but are not limited to straight sections of [ladder type] [trough type] [solid bottom type] [channel type] cable trays, bends, tees, elbows, drop-outs, supports



Duplex SC UPC

### Aluminium Cable Trays , EAE Electric

Aluminum Cable Trays & Ladders deliver lightweight, durable solutions. Aluminum Cable Tray manages cables, while Aluminum Cable Ladder carries heavy loads.

### Best Practice Guide to Cable Ladder and Cable Tray Systems

These guidelines will be particularly useful for the design, specification, procurement, installation and maintenance of these systems. Cable ladder systems and cable tray systems are designed for use



### Best Practice Guide to Cable Ladder and Cable Tray Systems

This publication is intended as a practical guide for the proper and safe\* installation of cable ladder systems, cable tray systems, channel support systems and associated supports. Cable



## LEGRAND CABLE TRAYS TECHNICAL GUIDE

Not all cable trays are equivalent. The mechanical and electrical characteristics, tests, certifications, overall quality management, recommendations mentioned in this technical guide only apply to our



### CABLE TRAY, CABLE LADDER, CABLE TRUNKING CATALOGUE

Cable Trunking. Straight sections of solid bottom cable trays constructed from single sheet of metal, providing excellent protection from external damage, they are used primarily for intrumental control,

### Cable Trays Selection Guide: Types, Features,

Cable trays are components of support systems for power and communications cables and wires. A cable tray system supports and protects both power and



### Product Catalogue Cable Management Solutions

Delivering engineered solutions in cable management ABB manufacturers a comprehensive range of cable tray systems and solutions including cable ladder, perforated tray, channel tray and metal



**IEC 61537:2023**

Where necessary, cable tray systems and cable ladder systems can be used for the arrangement of cables into groups. This document does not apply to conduit



**Product Catalog**

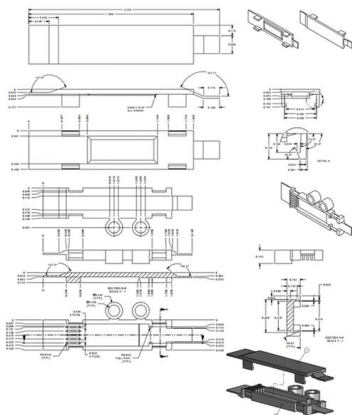


**EU Series Strengthened Type Cable Trays**

The EU Series Heavy Duty Cable Tray, with its structured design developed for ease of use. Available in custom sizes and various coatings!

**IEC Standard for Cable Tray: Complete Technical Guide**

The IEC standard for cable tray recognizes multiple tray types depending on application and structure. Each type serves a different purpose in



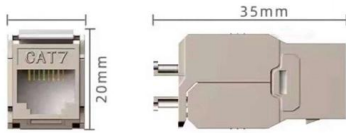
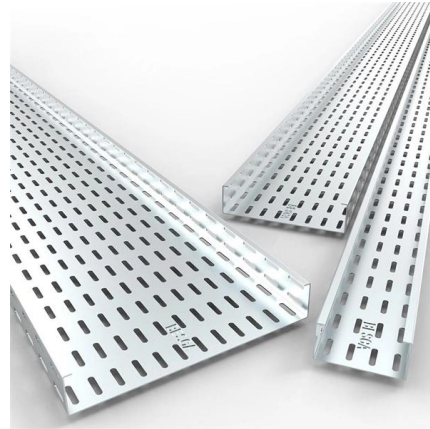
**B-Line series Cable Tray Design Considerations**

As an industry leader in cable tray, Eaton offers one of the widest ranges of cable management solutions available in the market today with its B-Line series portfolio. With unmatched quality and service, we



## Monaco Distributors , Fibre Reinforced Plastic

Monaco Distributors , Fibre Reinforced Plastic



### Cope Ladder Master Spec

Cable Tray Hold Downs - Cable tray supported on standard 1-5/8 inch strut shall be held down with Cope style hold-down brackets. Such as the 9131 series for ladder type cable trays and 90XX series

### cable tray technical specifications

Armorduct cable tray systems are usually assembled using M6 roofing bolts particularly for couplers, fishplates and connection to supporting framework. It should be noted that independent testing has



### Cable Tray Specification Guide , Types, Materials, Sizes

Cable Tray Specification In the realm of infrastructure development, the efficient management of electrical conduits plays a pivotal role. This section delves into the intricacies of selecting and



## **B-Line series Cable Tray Design Considerations**

Our wind certification report provides you with list of acceptable B-Line series cable tray supports, fittings and covers based off of the environmental conditions, cable loading, and type of cable tray in your



## **Contact Us**

---

For datasheets, pricing, or custom high-speed optical interconnect solutions, please visit:  
<https://www.syropy.com.pl>