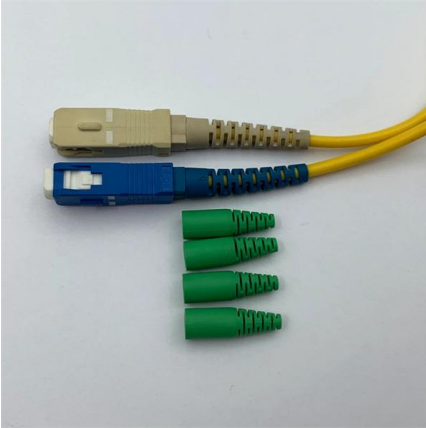


Sri Lanka BESS Energy Storage System Energy-Saving Type





Sri Lanka BESS Energy Storage System Energy-Saving Type



Energy Storage in Sri Lanka: Powering the Future with Smart Solutions

You'd be surprised where Sri Lanka's storage revolution is brewing. Take the Hambantota Solar-Battery Hybrid Project --a 1.5MW system saving 400,000 liters of diesel yearly.

Study Report on Use of Battery Energy Storage Systems

System electric supply capacity is the use of energy storage in place of a Gas turbine to provide the system with peak generation capacity during peak hours. Storage systems that can successfully fulfill



Incredible Battery Energy Storage Secrets in Sri Lanka

Battery Energy Storage System (BESS) begins its process by collecting energy from diverse sources, including solar panels, wind turbines, and other renewable



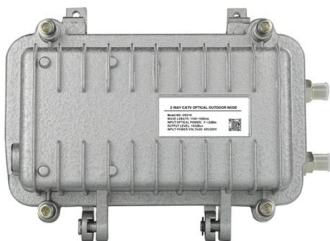
Sri-Lanka's first grid-scale battery storage project

ADB said yesterday (25 November) that the US\$200 million loan will fund the Power System Strengthening and Renewable Energy Integration



Sri Lanka seeks bidders for 640MWh renewables

Ceylon Electricity Board (CEB) is the main electricity company in Sri Lanka, with its own generation as well. Image: CEB. Ceylon Electricity Board



Sri Lanka Upcoming Battery Energy Storage System (BESS) Projects

Search all the announced and upcoming battery energy storage system (BESS) projects, bids, RFPs, ICBs, tenders, government contracts, and awards in Sri Lanka with our comprehensive online database.



ENERGY STORAGE

1. Introduction Sri Lanka aims to raise its renewable energy share to 40% by 2030, necessitating Energy Storage Systems (ESS) for effective grid integration and balancing of diverse renewable sources.





ENERGY STORAGE

Sri Lanka aims to raise its renewable energy share to 40% by 2030, necessitating Energy Storage Systems (ESS) for effective grid integration and balancing of diverse renewable sources.

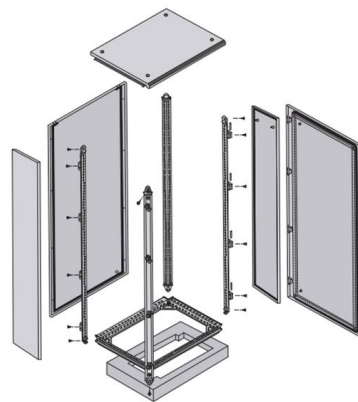


List of Upcoming Battery Energy Storage System (BESS) Tenders

Search all the battery energy storage system (BESS) projects, bids, RFPs, ICBs, tenders, government contracts, and awards in Sri Lanka with our comprehensive online database.

Battery Energy Storage System Prices in Sri Lanka: 2024 Market

Battery Energy Storage System Prices in Sri Lanka: 2024 Market Trends & Cost Analysis
Wondering how battery energy storage systems (BESS) can solve Sri Lanka's frequent power outages while



Sri Lanka Extends Tender Deadline for 640 MWh Battery Energy

Sri Lanka's ambitious plan to roll out large-scale battery energy storage systems (BESS) has hit a slight delay, with the state-owned Ceylon Electricity Board (CEB) extending the deadline for

Sri Lanka's Largest Solar-Powered Battery



The project establishes Sri Lanka's largest non-government-funded battery energy storage system (BESS), powered by solar photovoltaic (PV)



UNDERSTANDING ENERGY STORAGE SYSTEMS ESS IN SRI LANKA

WALMER ENERGY specializes in photovoltaic energy storage systems, BESS solutions, mobile power containers, EMS management systems, commercial storage, industrial storage, containerized

(PDF) Energy Storage Solutions for Sri Lanka

This report delves into the transformative phase of Sri Lanka's energy sector, highlighting the growing adoption of renewable energy sources like solar and wind power.



Emerging Technologies , Sri Lanka Sustainable Energy

Emerging Technologies Emerging Technologies Wind and solar are intermittent energy resources. Therefore, the energy supply from these resources is not



Sri Lanka can no longer afford to view energy as just

Ultimately Sri Lanka is a net energy importer, so we can't insulate ourselves from everything. What type of reforms do you think that Sri Lanka should be looking at the given these external shocks?



Understanding Energy Storage Systems (ESS) in Sri

As Sri Lanka continues to embrace renewable energy, the role of Energy Storage Systems (ESS) has become increasingly important in achieving energy security,

Sri Lanka's CEB launches 160-MW energy storage tender

Sri Lanka's state-owned electricity company Ceylon Electricity Board (CEB) has launched a tender for a total of 160 MW/640 MWh of new standalone



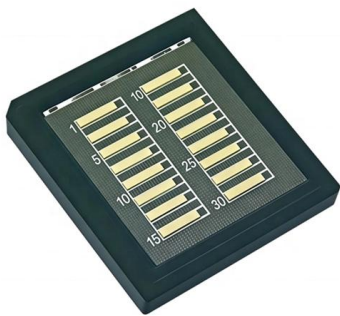
Sri Lanka seeks bidders for 640MWh renewables

The state-owned firm issued the request for proposals (RFP) on 30 July, seeking companies to build, own and operate large scale battery energy



Advanced Energy Storage System for Renewable

So it will improve the reliability of the network. Advanced electricity storage system has the potential to deliver significant environmental, economic



Hayleys Solar Successfully Commissions Sri Lanka's

The project establishes Sri Lanka's largest non-government-funded battery energy storage system (BESS), powered by solar photovoltaic (PV)

CEB Seeks Global Bids for 160MW Battery Storage to Stabilize Grid

Sri Lanka's Ceylon Electricity Board (CEB) has invited international tenders for 160 megawatts of battery energy storage systems (BESS) on a build-operate-own basis to support the



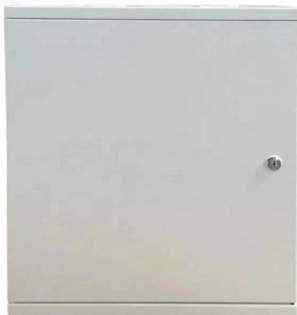
WindForce leads Sri Lanka's first-ever and largest 120

WindForce PLC has announced that it has received the Letters of Award on 16 February for twelve standalone Battery Energy Storage System



Role of Battery Energy Storage Systems (BESS) in Renewable

In the context of Sri Lanka, where the adoption of renewable energy is gaining momentum, BESS can address several challenges and optimise the utilisation of intermittent

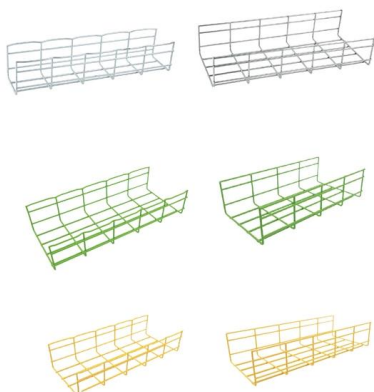


BATTERY ENERGY STORAGE SYSTEMS

Electricity is increasingly being generated from renewable sources - solar, wind, geothermal, bioenergy and hydropower - but their output is intermittent. By utilizing advanced tech solutions, such as

Lanka Batteries

Operating across Sri Lanka, India, and the SAARC region, delivering energy storage solutions where they're needed most. Specialized in large-scale BESS for utilities,



Role of Battery Energy Storage Systems (BESS) in Renewable

Battery Energy Storage Systems (BESS) play a crucial role in enhancing the integration, stability, and reliability of renewable energy sources like solar and wind power. In the context of Sri



Sri Lanka's 160MW BESS Tender: Key Energy

Sri Lanka is witnessing significant activity across the energy, political, and financial sectors. From advancing renewable energy storage to diplomatic



Contact Us

For datasheets, pricing, or custom high-speed optical interconnect solutions, please visit:
<https://www.syropy.com.pl>