



Syropy AI Connectivity

# Special Optical Cable G 652 from Manufacturer

[More products](#)

## OUTDOOR CABINET



[Click To See](#)



[Click To See](#)



[Click To See](#)



[Click To See](#)

## FTTX SOLUTION



[Click To See](#)



[Click To See](#)



[Click To See](#)



[Click To See](#)

## DATA CENTER



[Click To See](#)



[Click To See](#)



[Click To See](#)



[Click To See](#)

[hiontis.en.alibaba.com](http://hiontis.en.alibaba.com)



## Special Optical Cable G 652 from Manufacturer

---



### Differences between G.652D and other fiber optic cables

In today's ever-changing digital landscape, Fiber optic cables play a vital role in transmitting large amounts of data over long distances with minimal

### Choosing The Right Optical Fiber: A Manufacturer's Guide To ITU-T G

At ZTO Cable, our fully integrated production chain--from drawing optical fiber to manufacturing finished cables--ensures that every product adheres strictly to IEC 60794 and the relevant ITU-T standards.

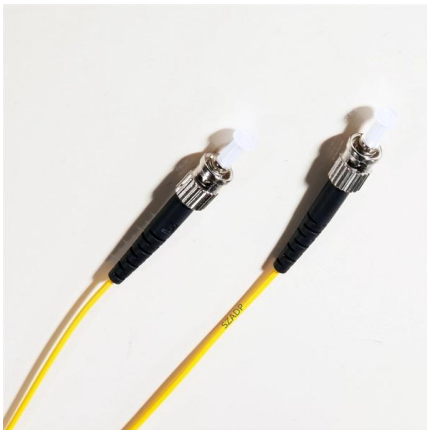


### What Is G.652 Fiber? G.652 vs G.652.D, G.652 vs

What Is G.652 Fiber? Among all the single mode fiber types, G.652 fiber is by far the most widely installed single mode fiber optic cable globally. So

### G.652

G.652 was originally developed in 1984 by ITU-T Study Group XV. Subsequently, revisions were published in 1988, 1993, 1997, 2000, 2003, 2005, 2009, 2016, and 2024 (from 1997 as Study Group 15).

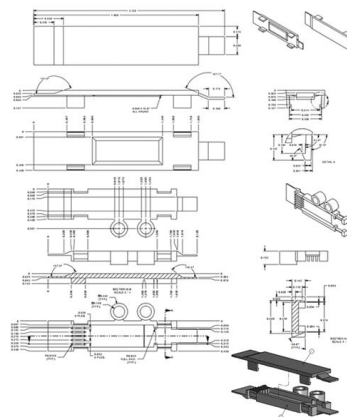


### Single-mode Optical Fiber G.652D

Single-mode Optical Fiber G.652D G.652D Optical Fiber is ideally designed for use in metropolitan, local and access networks due to its superior specifications-low

### AR-1FD-FIG8-PE-xxF-G652D

1.3 Life Time Optical fibre cables supplied in compliance with this specifications is capable to withstand the typical service condition for a period of twenty-five (25) years without detriment to the operation



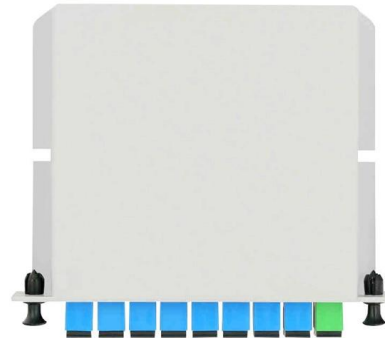
### G.652 Fiber: Differences and Applications of Each

Conclusion G.652 fiber, in its various subcategories, has evolved over the years to meet the ever-increasing demands of modern communication



## Optical Fiber Specifications: A Guide by EXA Infrastructure

G652 is a specification for optical fiber cables. It is part of the International Telecommunication Union (ITU-T) G.652 series, which defines the characteristics and requirements for single-mode optical



### What Is G.652 Fiber? G.652 vs G.652.D, G.652 vs

Among all the single mode fiber types, G.652 fiber is by far the most widely installed single mode fiber optic cable globally. So this fiber category is

### ITU-T Rec. G.652 (11/2016) Characteristics of a single-mode optical

Characteristics of a single-mode optical fibre and cable Summary Recommendation ITU-T G.652 describes the geometrical, mechanical and transmission attributes of a single-mode optical fibre and



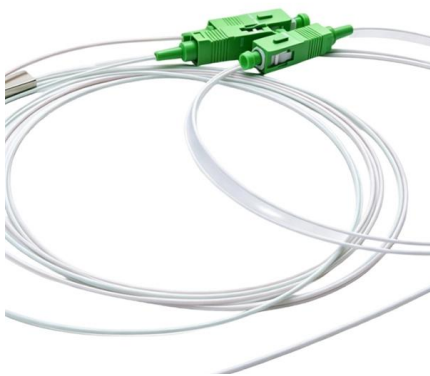
### G. 652 Fiber 48 Core ADSS Arss Optical Cable

G. 652 Fiber 48 Core ADSS Arss Optical Cable, Find Details and Price about Cable Fiber Optic Cable from G. 652 Fiber 48 Core ADSS Arss Optical Cable - Hongan Group Corporation Limited



## G.652D Optical Fiber: Specifications, Price Factors

For network planners, project managers, and procurement specialists, understanding the G.652D fiber specification, current G.652D fiber



## Enhanced Single-Mode Fibre ITU-T G.652

APPLICABLE STANDARDS IEC / EN 60793-2-50  
type B-652.D ITU-T Recommendation G.652.D

## Single-mode optical cable

Find out all of the information about the Prysmian Group product: single-mode optical cable G.652 Series. Contact a supplier or the parent company directly to get a



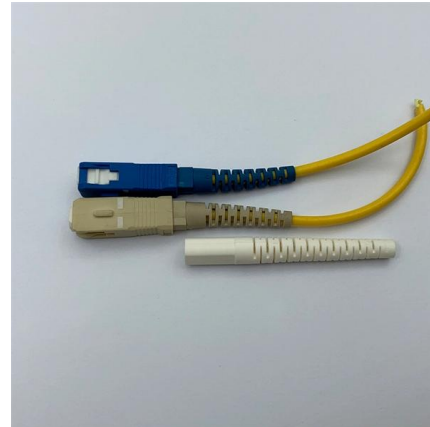
## CENTRAL TUBE METALLIC ARMOR CABLE

1.3. LIFE TIME Optical fibre cables supplied in compliance with this specifications is capable to with-tand the typical service condition for a period of twenty-five (25) years without detriment to the



### Enhanced Single-Mode Fibre (G.652.D) , Prysmian

Enhanced Single-Mode Fibre (G.652.D)  
Description Enhanced Single-Mode Fibre (G.652.D)



### G655 G652 G657 OM1 OM2 OM3 Fiber Optic Cables

The G655, G652, G657, OM1, OM2, and OM3 Fiber Optic Cables offer a range of features tailored to diverse networking requirements.



### Ficha\_AR-1FTDSPE-xxF-G652D-G657A1-G555

SINGLE JACKET METALLIC ARMOR TOTALLY DRY  
CABLE AR-1FTDSPE-xxF-G652D/G657-A1 /G655  
OPTICAL FIBRE CABLE TECHNICAL



### G652d Manufacturer,Supplier

G652D fiber optic cable is similar to a tightly packed thread that can carry large amounts of information to various locations at an unbelievable speed. CDSEI fiber fiber optic is made of tiny pieces of glass





### **SINGLE JACKET FIBER GLASS DIELECTRIC CABLE AR-1FGTDPE**

The standard structure of AR-1FGTDPE-xxF-G652D cable is shown in the following table, other structure and fibre count are also available according to customer requirements.



### **Fusion Splicers , Telecommunication Systems Business**

We offer a range of equipment necessary for splice various special optical fibers, including polarization-maintaining fibers such as PANDA fiber, thin-diameter

### **Overhead G.652D 48 Core Opgw Cable Fiber Optic Cable**

An optical ground wire also known as an OPGW or, in the IEEE standard. An OPGW cable contains a tubular structure with one or more optical fibers in it, surrounded



### **G.652A Single-Mode Optical Fiber Manufacturer for Telecom, Access**

G.652A is a standard single-mode fiber option for telecom, access, and general cable applications with normal routing conditions. It is best suited to projects that prioritize mainstream compatibility and cost





### **DTC Fiber Optic Cable Singlemode ( G.652.D ) Single**

Cable possesses high tensile strength and flexibility in compact cable sizes. At the same time, it provides excellent optical transmission and physical performance.



**HIGH-PERFORMANCE  
RACK-MOUNTED  
FIBER OPTIC  
TERMINAL BOX**  
EFFICIENT & STABLE |  
CARRIER-GRADE QUALITY



### **Overhead G.652D 48 Core Opgw Cable Fiber Optic Cable**

We are 48 Core Opgw Cable manufacture and supplier, provide Overhead G.652D 48 Core Opgw Cable Fiber Optic Cable on sale, factory price.

## **Contact Us**

---

For datasheets, pricing, or custom high-speed optical interconnect solutions, please visit:  
<https://www.syropy.com.pl>