

Southeast Asian Indoor Distribution Box Manufacturer Supply





Southeast Asian Indoor Distribution Box Manufacturer Supply



China Distribution Box Manufacturers, Suppliers

Distribution Box Manufacturers, Factory, Suppliers From China, We glance forward to giving you with our solutions while in the in the vicinity of future, and you will

Distribution Box Manufacturer, Service Provider & Supplier

You can buy our Distribution Box at the best price in the market. We are a service, manufacturer, and supplier of Distribution Box with over 6 years of experience. Our Distribution Box has five advantages



Distribution Box Manufacturer, Metal Enclosures, Metal Box Supplier

Distribution Box Supplier, Metal Enclosures, Metal Box Manufacturers/ Suppliers - Wenzhou Xijia Electric Co., Ltd.



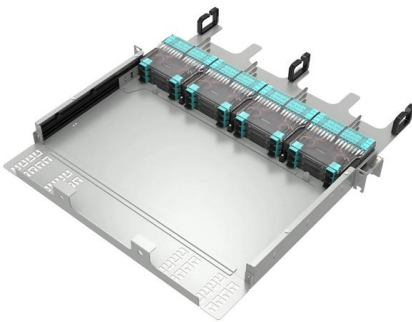
2023 APAC Distribution Trends

Ranked by size, iCEasy Electronics, Ample Solutions, WIN SOURCE, Compo Electronics Asia Ltd. and Chip 1 Exchange make up the "top five" on Supply



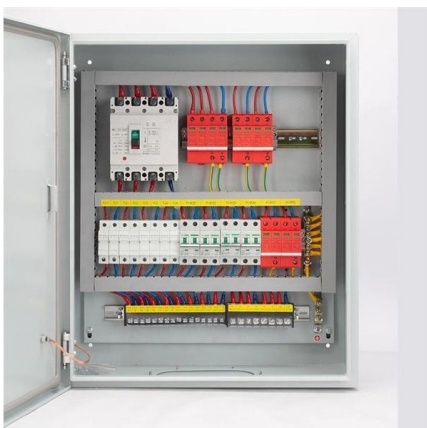
Distribution Box Manufacturer in India

VLI is your trusted electrical distribution box manufacturer for reliable and high-quality power management solutions. Request a quote today.



Distribution Box Manufacturer, Best Power Distribution

DOHO has a large selection of distribution boxes that are tailored to your specific requirements as one of the world's leading power distribution box manufacturers.



Distribution box Manufacturer, Distribution Box, Metal

Distribution box Supplier, Distribution Box, Metal Enclosure Manufacturers/ Suppliers - Suzhou Zhuwei Electrical Equipment Co., Ltd.



Top 10: Asia-Pacific Supply Chains , Supply Chain

Supply Chain Digital has taken a look at the top 10 APAC supply chains Supply Chain Digital takes a look at the top 10 supply chains in the Asia



Professional Electrical Box & Distribution Box Manufacturer

As a leading electrical box manufacturer with more than 20 years of industry and R& D experience, SKKBO provides versatile and high-quality

Distribution Box Supplier & Manufacturer in China

Leading electrical distribution box manufacturer in China. Reliable power distribution boards for industrial and commercial systems with OEM support.



TTI Asia - Electronic Components Distributor , TTI Asia

TTI Asia is an electronic components distributor specializing in connectors, capacitors, and electromechanical parts. Browse a selection of products available



Distribution Box

GUANGPU Electrical Co.,Ltd is a professional Distribution Box Manufacturer in China, it offers one-stop customized box service for customers. Every client can



Distribution Boxes Manufacturer , Waterproof Electrical

Zhejiang B& J Electrical Co.,Ltd. provides high-quality distribution boxes and electrical enclosures for global industries. Specializing in IP66, IP67, and IP68

Wholesale Distribution Box Products at Factory Prices from

Shop online for wholesale distribution box? Global Sources has a full-scale list of wholesale distribution box products at factory prices featured by verified wholesalers & manufacturers from China, India,



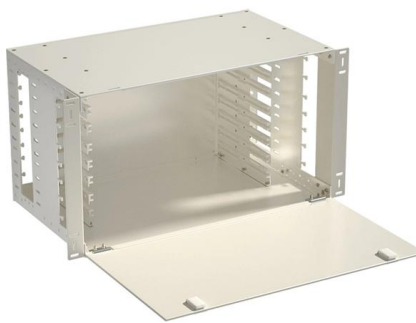
China plus one: Opportunities in Southeast Asia , McKinsey

Southeast Asia is emerging as a global manufacturing hub, presenting opportunities for logistics companies. Here's a look at global trade flows in the



Wholesale Power Distribution Boxes Suppliers, Manufacturers (OEM,

Buy power distribution boxes in bulk online from 10 verified wholesale power distribution boxes suppliers, manufacturers (OEM, ODM & OBM), distributors, and factory lists on Global Sources.



SKKBO

We launch cost-effective plastic distribution box equipment for the emerging market in Southeast Asia. SKKBO adopts the mode of customized R&D and flexible, efficient production. In the past three

Distribution Box Manufacturers & Suppliers

Distribution Box, Distribution Cabinet manufacturer / supplier in China, offering Protected Enclosure for Outdoor Lighting and Power Connections, IP54 Rated Enclosure Box for Basic Indoor Dust and



ZCEBOX Distribution Box Manufacturers

Discover high-quality distribution boxes for industrial and outdoor use. Browse durable, waterproof IP65-rated electrical distribution boxes from reliable manufacturers. Free customization, OEM/ODM available.



Box Build Electronics Manufacturer Southeast Asia

Global electronics supply chains are undergoing a significant shift, with Southeast Asia emerging as a critical hub for box build electronics



Motor protection controller

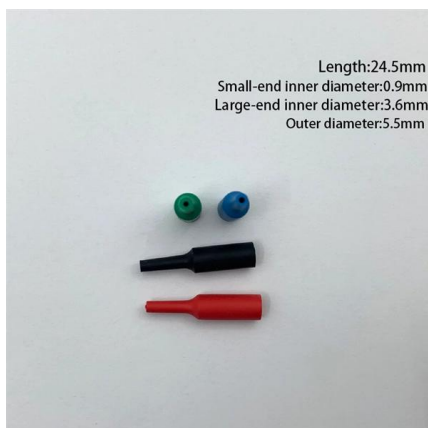
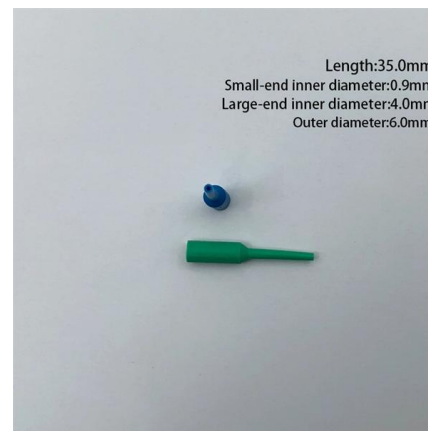


Distribution Boards Centralized Power Distribution by

IndoAsian distribution boards ensure organized and secure power distribution for residential, commercial, and industrial needs

Distribution Box Manufacturers & Suppliers

Distribution Box, Enclosure Box, Metal Box manufacturer / supplier in China, offering Empty Box Household Electrical Cabinet Electric Control Box CE Certified IP65 Protection 16 Sockets 100A



Top 10 Distribution box supplier Companies and Products Compare

Suppliers typically offer a variety of distribution boxes, including indoor and outdoor models, metal and plastic options, and customized solutions. Each type is designed to meet specific electrical



Global Manufacturer & Supplier of Distribution Point Box

Buy Distribution Point Box Indoor at the best price from Norden Communication, the global manufacturer and supplier of electrical and optical solutions. Choose



Southeast Asia Box Build Electronics Manufacturers , Full Assembly

Need reliable box build electronics manufacturing in Southeast Asia? Discover certified suppliers offering PCB assembly, testing, and enclosure solutions. Connect with top manufacturers

Contact Us

For datasheets, pricing, or custom high-speed optical interconnect solutions, please visit:
<https://www.syropy.com.pl>