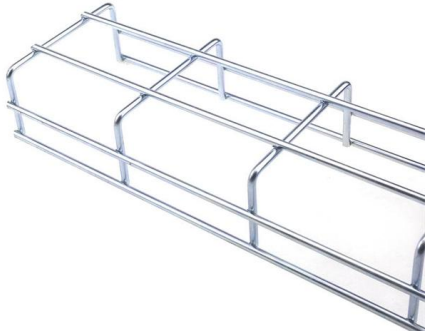


Somali Bridge Piling Machine





Somali Bridge Piling Machine



EQUIPMENT USED IN BORED PILE DRIVING

How to and what equipment are used in steel bored pile driving and steel sheet piling? Linsteel Philippines will tell you how.

Exploring the Different Types of Piling Machines for Construction

Are you curious about the various types of piling machines used in construction projects? From traditional pile drivers to modern hydraulic presses, there are a multitude of options available to



The Ultimate Guide to Piling Rig Machines: Everything

Conclusion In conclusion, the piling rig machines are essential in the construction industry and knowing everything about them is crucial for anyone

Different Types of Piling Machinery: A Comprehensive Guide

This comprehensive guide aims to explore the various types of piling machinery, delving into their unique features and



Hydraulic Piling Machine For Efficient And Precise Foundation

Discover the ultimate hydraulic piling machine for all your foundation needs. Our top-of-the-line equipment offers superior precision and efficiency, providing a solid foundation for any construction



Hydraulic Rotary Piling Machine for Bored Piles 25m SR-825

Hydraulic Rotary Piling Machine For Drilling Piles 25m SR-825 Hydraulic rotary piling machine is a kind of large-scale construction machinery,



Understanding the Piling Machine: Types, Uses, and Features

A piling machine, a broad term that includes equipment like piledrivers, piling rigs, pile boring machines, drill rigs, and rotary drills, plays a critical role in construction for establishing strong



Pile driver



Pile driver Tracked vehicle configured as a dedicated pile driver A pile driver is a heavy-duty tool used to drive piles into soil to build piers, bridges, cofferdams,



Pile Driving Equipment

EQ-Piling technology is an innovative piling solution that uses the deceleration of a large water mass to deliver a long-lasting blow to the pile. The technology



Piling machine: Meaning, types, benefits and applications

Piling machines are typically used to construct foundation structures for high-rises, ports, bridges and other large infrastructure projects.



Types of Pile Driving Equipments -Applications,

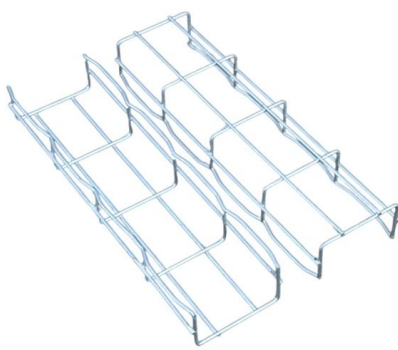
Reading time: 1 minute There are several machines and equipment which are employed for pile driving during construction. These machines and tools will be





rig machine for piling

Piling Machines A Complete Guide to Rig Machines for Building Strong Foundations Piling is a critical process in construction that lays the groundwork for buildings, bridges, and other



Bridge piling machine

Hydraulic bridge piling machine offer several advantages, including precise control over driving force and reduced noise levels, making them ideal for urban construction sites.

Types, Uses, and Features of a Piling Machine , Al Marwan

However, the defining feature of a piling machine is its specialty attachment, which holds and drives the pile into the ground. This article delves



The Ultimate Guide to Piling Rig Machines: Everything You Need to

Are you looking to learn everything there is to know about piling rig machines? Look no further! Our comprehensive guide has everything you need to become an expert on these powerful

Pilling Machines



The drilling technology is based on the GPS boring machine with mud circulation. However, this piling equipment is installed with hydraulic crawler chassis and mast, which makes it easy to move from



Understanding the Piling Machine: Types, Uses, and

A piling machine, a broad term that includes equipment like piledrivers, piling rigs, pile boring machines, drill rigs, and rotary drills, plays a

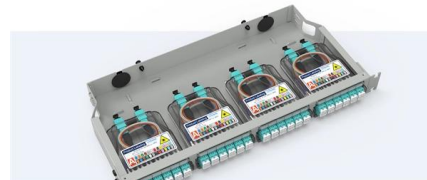


Piling Machine Construction , High-Quality Machines

Discover our top-of-the-line piling machines that guarantee efficient and precise construction results. Trust in our quality equipment for all your piling needs.

Pre-Terminated Patch Panel

- Multi-application support
- Flexible configuraton
- Modular design



Cable Gland Plug
28mm Cable Gland Plug



MPO-EC up to 96 cores
MPO direct connection 48 ports



Mounting Bracket
Semi-open mounting holes

Rotary Drilling Rig SR-825 Shipped in Bulk to Africa

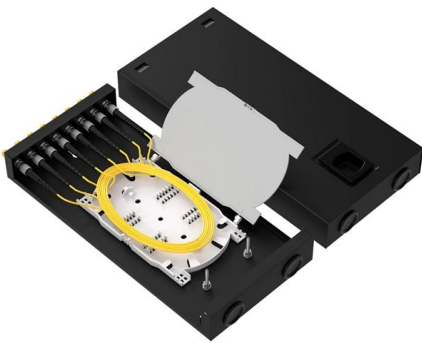
The SR-825 is a cutting-edge construction machine specifically designed for various pile foundation projects, offering unparalleled performance





Exploring the Different Types of Piling Machines Used in Construction

In conclusion, the proper maintenance and operation of piling machines are crucial for the success of any construction project. Understanding the different types of piling machines and

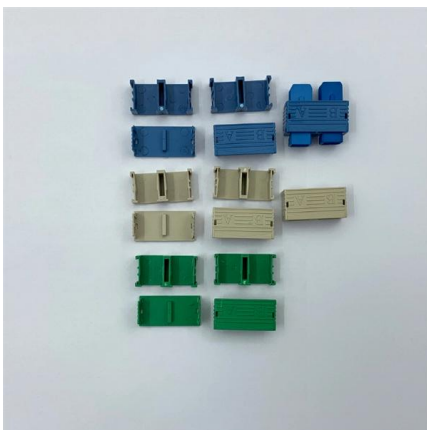


Piling Rig Machines: A Comprehensive Guide

Piling Rig Machines: A Comprehensive Guide
Piling rig machines are essential equipment used in construction sites to create solid foundations for

Somali

Our company continues its commercial life in our modern facility in Trabzon to respond to all kinds of briquette - parquet - bims - concrete machines and mold demands. In addition, our company exports



Piling Drilling: What It Is and How It Works?

Learn what piling drilling is, how it works, and the key techniques used to ensure strong, stable foundations in construction projects.



Piling Machine Market Size, Growth and Forecast 2032

Market Overview: The Piling Machine Market is projected to grow from USD 5425 million in 2024 to an estimated USD 7481.79 million by 2032, with a compound annual growth rate (CAGR) of 4.1% from



Piling Rigs Driving India's Infrastructure Boom , Apollo

Piling rigs play a crucial role in India's infrastructure boom. These machines support the construction of bridges, metro projects, and high-rise buildings.



Piling Machines Explained: Types, Uses, and Applications

Explore piling machines, their engineering applications, and how they support precision, stability, and quality in foundation construction.



The Ultimate Guide to Different Types of Piling Machines

Understanding the common applications and industries for various piling machine types is crucial for choosing the right machine for specific



Different types of piling rig models

Different types of piling rig models. Piling rigs are commonly used for drilling in grounds with silty clay and sandy soil.



Contact Us

For datasheets, pricing, or custom high-speed optical interconnect solutions, please visit:
<https://www.syropy.com.pl>