

Single-core 70-2 optical module





Single-core 70-2 optical module



1 x 2 PLC Fiber Splitter, Mini Module Single-mode,

1x 2 Blockless Fiber PLC Splitter, Singlemode, 900um Fiber, SC/APC Connector Planar lightwave circuit (PLC) splitter is a type of optical power management

Optical Splitters for Central Office/Headend

CommScope's Optical Splitter Modules are part of our value-added module (VAM) system that provides flexibility, scalability and functionality to an optical transport



The Difference Between Single-mode and Multi-mode

Multi-mode optical modules are mainly suitable for short-distance transmission and are suitable for environments such as local area networks and data centers. They

Comparing Single-Core and Dual-Core Optical Fibers

Conclusion The choice between single-core and dual-core optical fibers depends largely on the specific requirements of the communication system.



Single-mode optical fiber

In fiber-optic communication, a single-mode optical fiber, also known as fundamental- or mono-mode, is an optical fiber designed to carry only a single mode of light

STAINLESS STEEL WIRE MESH

- Long-lasting and durable
- Comprehensive specifications
- Customized non-standard products



OS1/OS2 Singlemode Optical Fiber

PANDUIT OS1/OS2 fibers meet or exceed numerous standards for optical fiber, including ITU-TG.652 (Categories A, B, C and D), IEC 60793-2-50, ISO 11801 OS2, and TIA-492-CAAB and Telcordia GR-20.



Enabling Higher Data Rates for Optical Modules With Small and

A constant trend in optical modules is to offer higher data rates within the size-limited and thermally-limited form factor by using smaller, integrated Power and Data-Converter solutions.



EDGE(TM) Tap Module Single-mode (OS2), 70/30 split

The Edge Tap Module enables passive optical tapping of the network while reducing downtime and link loss, and increasing rack space utilization and density.



Single Mode (SM) Fibers , Coherent

Maintain beam quality, and minimize attenuation and dispersion, using single mode fibers available from the visible through the infrared. Coherent manufactures high

What is a single-core module, what is its characteristics?

How does a single-core optical module work? The main difference between a single-core optical module and a conventional dual-fiber bidirectional



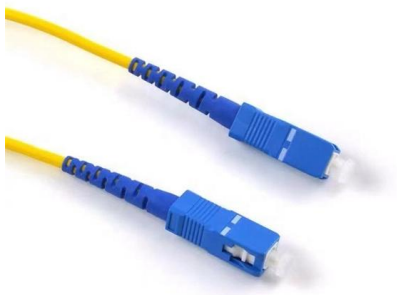
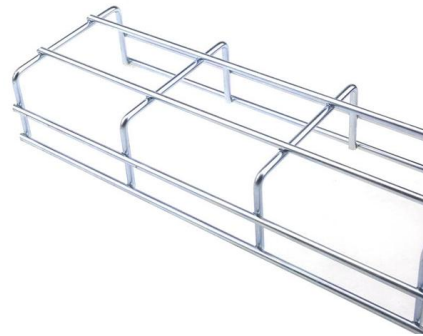
What Is A Single-Fiber BiDi Transceiver?--ETU-LINK

There are single-fiber and dual-fiber optical transceivers. How do we choose, and what are their differences and advantages? Let's learn about this! What is a



The Key Differences Between 1-core, 2-core, Single

In optical modules, "core" refers to the light-transmitting channel in the fiber. A 1-core module uses a single fiber core for data transmission, while a 2-core module uses two fiber cores for data transmission.



Single Mode SFP Transceiver , Optcore

The single mode SFP module is one of the most common SFP transceiver types; sometimes, we refer to it as an SMF SFP. Equip with a

Optic Modules Datasheet

The following table lists the different pluggable optic modules and supported platforms, along with the technical specifications for each.



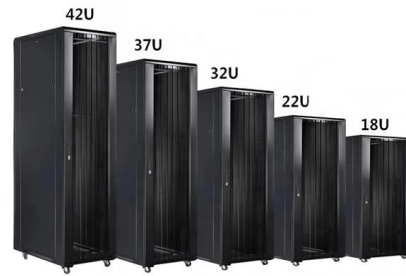
Understanding Single-mode and Multi-mode Optical

In conclusion, single-mode and multi-mode optical modules and fibers serve distinct purposes in sfp optical module communication, offering



Module with Separable Single-Mode Expanded-Beam Optical

Demonstrate the principles of a separable single-mode (SM) expanded-beam optical connector to chip interface by assembling a demonstrator module and verifying optical performance. Identify

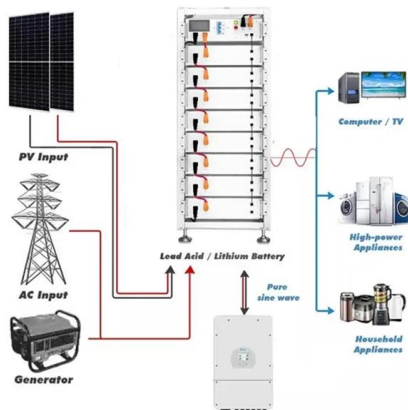


Low Loss Optical Connection Module for Seven-Core Multicore Fiber

Abstract: A pair of compact optical connection modules that connect seven-core multicore fiber and seven single-mode fibers is developed. Insertion loss of <0.6 dB, polarization

RAY 70 Monochromatic Module

The monochromatic LED RAY optical module combines the high resolution, high quality RAY optical modules with a high-power, monochromatic LED illuminating module in a single, ready-to-use



SFP Optical Module 1.25G 20km single-mode duplex-LC

This is a industrial SFP optical module. It uses duplex single mode optical fiber and the speed rate can up to 1.25Gbps, transmission distance up to 20km.



Optical fibers and modules

Our ytterbium-doped double-clad fibers offer the largest single-mode cores in the world, enabling amplification to unprecedented power levels while keeping mode



Passive Optical Tap, SMF LC Connectors, 70/30 Split,

The L-com TAP-LCSM-7030-LGX is a 70/30 Split Passive Optical Tap in a 1/2LGX Module. The TAP-LCSM-7030-LGX is designed for use with Single Mode Fiber

Key Differences Between Single-Mode and Multimode

Compare single-mode and multimode optical modules by core size, distance, speed, and cost. Choose the right module for your network's needs.



MMS1V70-CM NVIDIA compatible 100GBASE-DR 500m Module

Our compatible NVIDIA MMS1V70-CM module is CE/RoHS certified, it meets product safety standards, and is compliant with QSFP28 Multi Source Agreement (MSA) SFF-8665, IEEE802.3cd 100GBASE



SFP Optical Transceiver , SFP Optical Module , Perle

Multimode and single-mode fiber Gigabit Ethernet, Fast Ethernet, Fiber channel, ATM/SONET, SDH Hot-pluggable with durable metal enclosure Can be installed



Single Mode Optical Fiber 780-970nm, 20m

Single Mode Optical Fiber 780-970nm, 20m Stock #72-893 6 In Stock Quantity Selector - Use the plus and minus buttons to adjust the quantity. + \$111.00

Demystifying Optical Transceivers: Your Top FAQs

FAQ Summary of optical modules: answers on types, compatibility, design, troubleshooting, and glossary for 2025 network upgrades and maintenance.



Gigabit single-mode single-core fiber optic module

Gigabit single-mode single-core optical fiber modules usually have the following specifications: multi-mode 550m, single-mode 15km, 40km, 80km, 120km, etc. In addition to the



Ubiquiti Networks 1 Gbps Bidirectional Single-Mode

Enhance your network with the Ubiquiti 1 Gbps Bidirectional Single-Mode Optical Module. Enjoy seamless 3 km connections with simplex LC connectors and low



What is a single-core module, what is its characteristics?

For this reason, single-core optical modules are also considered WDM optical modules. In order to be able to work efficiently, single-core optical

Contact Us

For datasheets, pricing, or custom high-speed optical interconnect solutions, please visit:
<https://www.syropy.com.pl>