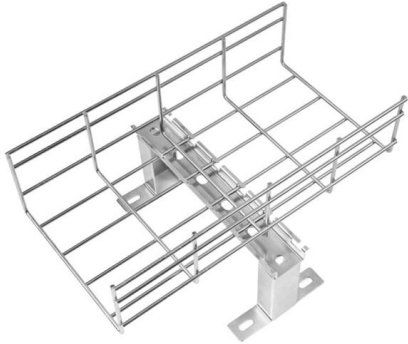


Shuangpai Molded Cable Tray Factory





Shuangpai Molded Cable Tray Factory



Cable Tray Manufacturer, Cable Trunking, Wire Mesh

Shanghai Qiongkai Industrial Co. Ltd. has been making remarkable strides in the prefabricated building materials sector since its inception in 2005.

Cable Tray, Cable Trunking, Cable Ladder, Perforated

Our high quality products include cable trunking, cable ladder, perforated cable tray, wire mesh cable tray, the matching accessories and switchgear cabinet, etc.



Manufacturing

Discover how powder-coated cable ladders for machinery factory are driving efficiency and resilience in the its Phase II expansion, supporting heavy-duty

AI Ashoury Cable Trays

About US Setting Industry Standards: Pioneering Cable Trays Our pioneering cable tray factory sets industry standards with innovative solutions and superior quality.



China Cable Trays, Cable Trays Wholesale, Manufacturers, Price

Design engineers or buyers might want to check out various Cable Trays factory & manufacturers, who offer lots of related choices such as cable tray, wire mesh cable tray and galvanized cable tray.



Cable Tray Manufacturer

Contact JLH Cable Tray Manufacturer For High Quality Cable Tray, Cable Trunking and Cable Ladder Products At Best Factory Price.



Perforated, GI, MS & Ladder Type Cable Trays

Explore a wide range of industrial cable trays, including ladder type, perforated, and powder-coated options. Heavy-duty designs for power plants and factories.





China Cable Tray Manufacturers, Factory, Wholesale

With professional and productive factory, Changzhou Qiaobang Storage Equipment Co.,Ltd is one of the top level China cable tray manufacturers, welcome to

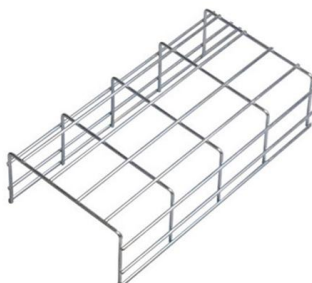
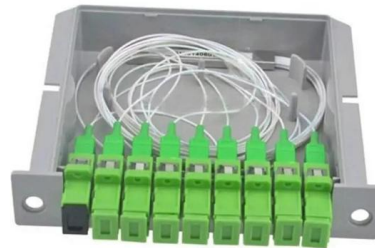


LONGJOY Cable Tray

Factory Tour The biggest cable tray manufacturer in Northern China.

Projects

See ApexTray Cable Tray Projects: High-quality cable management solutions tailored for large-scale construction, building, plants, data center projects.



LIAOCHENG TONGZHOU MACHINERY CO.,LTD

TONGZHOU MACHINERY (CABLE TRAY)FACTORY is a manufacturer with a daily output of more than 40,000 meters and an annual output value of more than

What are the Top 6 China Cable Tray



Manufacturers?

In this guide, we've curated the Top 6 China Cable Tray Manufacturers for 2025, spotlighting three standout



Cable Tray, Metal Stud, Strut Channel

Qiongkai has been making remarkable strides in the prefabricated building materials sector. The mainly products are cable tray, metal stud and strut channel.



Best 5 Cable Tray Manufacturers in China

Discover the top cable tray manufacturers in China, offering a range of high-quality products for industries such as construction, energy, and



Cable Trays & Accessories , Cable Management Systems , MEP

Types Overview and Components SFSP cable trays and accessories from SFSP are manufactured from steel sheets in accordance with BS EN 10130/BS EN 10131/ BS EN 10051, complying with BS EN





Cable Trunking Manufacturer, Perforated cable tray, Wire Mesh Cable

Cable Trunking Supplier, Perforated cable tray, Wire Mesh Cable Tray Manufacturers/ Suppliers - Shandong Hongfeng Import and Export Co., Ltd.



Cable Tray Manufacturer, Galvanized Cable Tray, Sprayed Plastic Cable

TONGZHOU MACHINERY (CABLE TRAY) FACTORY has advanced production line of one-time forming of cable trays, automatic laser cutting production line, laser welding production line, automatic

CE Certification Molded cable tray Factory, Supplier , Renyun

This design not only improves work efficiency, but also enhances safety. The molded cable tray is simple and convenient to install, and each component can be quickly connected and disassembled, which



可选配件



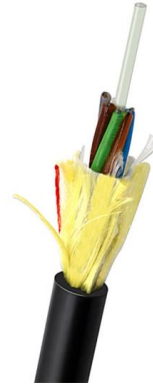
Cable Tray Manufacturers

Our cable tray factory specializes in producing durable, corrosion-resistant, and lightweight FRP cable trays and GRP cable trays, as well as epoxy cable trays and FRP GRP cable ladder covers.



China Molded Cable Tray Factory Solutions , Pudeli

Pudeli Cable Tray offers molded cable trays made from composite materials, providing lightweight and durable China factory solutions for industrial cable



Molded Cable Tray Factory_Manufacture_Supplier

Molded Cable Tray Shandong Bolt Electrical Equipment Co., Ltd. will give you a detailed introduction to the content of Molded Cable Tray, including the purpose,

Contact Us

For datasheets, pricing, or custom high-speed optical interconnect solutions, please visit:

<https://www.syropy.com.pl>