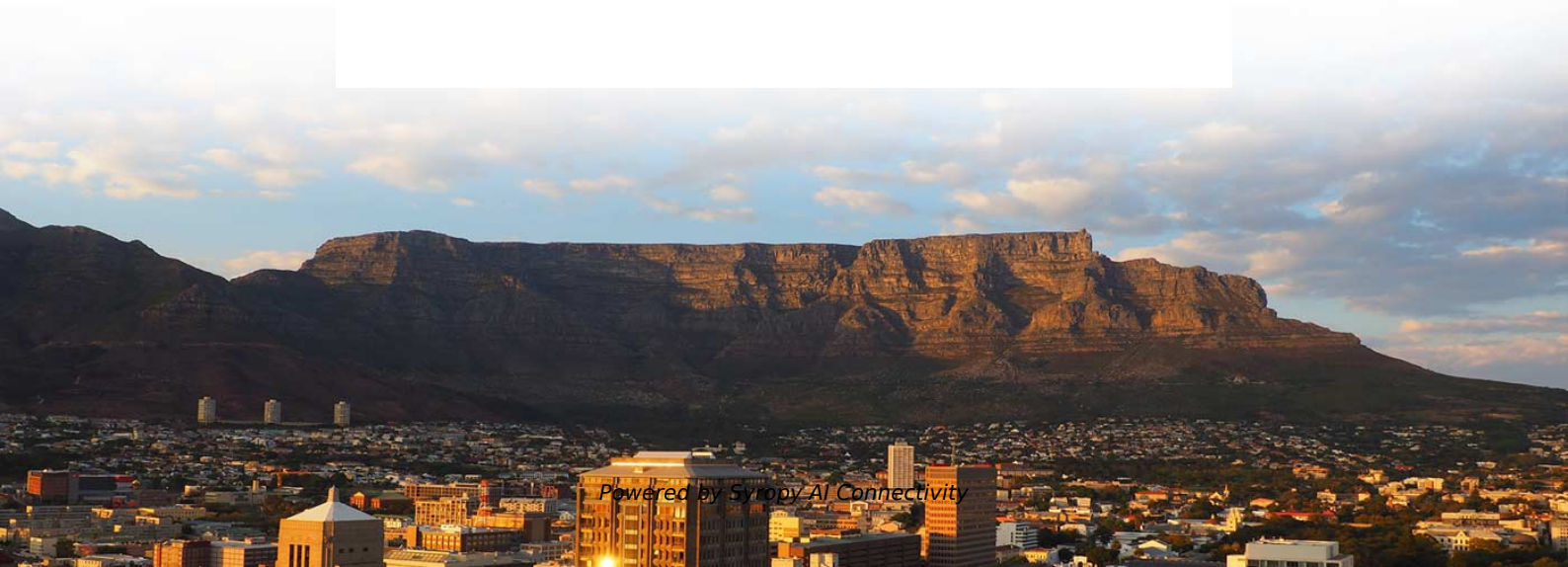


Shopping Mall Power Distribution Box Lighting Circuit Diagram





Shopping Mall Power Distribution Box Lighting Circuit Diagram



Expert Electrical Drawing for Commercial Buildings

Power and Lighting Layouts: These layouts depict the positioning and connections of power distribution panels, switches, outlets, lighting fixtures, and other electrical

Electrical installation for commercial & public building

It discusses key considerations for wiring types, circuit diagrams, load estimations, and costing. The main sections cover electrical service and supply, internal distribution, residential distribution,



Mall Power Supply Specifications

This document provides a pre-design specification for the electrical distribution system of a large commercial mall project. The mall will be a single building with up to 5 floors and a power

Mall Retail Unit Electrical Design Layout

CAD Drawing Software for Making Mechanic Diagram and Electrical



Electrical Shop Drawings Services

We create high-quality Electrical Shop Drawings for power distribution, lighting layouts, wiring diagrams, and more using advanced AutoCAD technology. Our expert team guarantees

Single line diagram of a shopping mall (537.03 KB)

Single-line diagram of a commercial center with sub-distributions of boards and general boards; with details of lighting fixtures and power outlets (537.03 KB)



Power Distribution Boxes Explained Simply

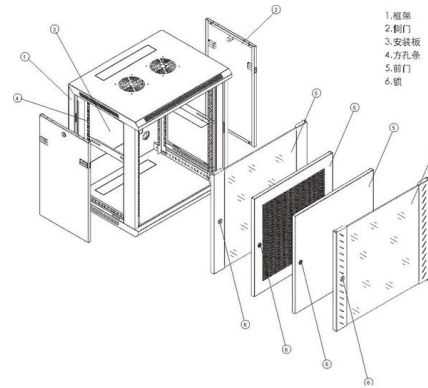
Learn what a power distribution box is, how it works, key components, types, and why it's vital for safe and efficient electrical systems.





How to Wire a Junction Box for Lighting: Circuit Diagram

Learn about the wiring diagram for a junction box lighting circuit. Understand how junction boxes are used to connect and distribute electricity for lighting fixtures in



Wiley Online Library , Scientific research articles, journals, books

Hier sollte eine Beschreibung angezeigt werden, diese Seite lässt dies jedoch nicht zu.

How to Read and Understand a Basic Lighting Wiring

Learn the basics of lighting wiring with a detailed diagram. Understand how to connect light fixtures, switches, and power sources in a safe and efficient way.



The Essential Guide to Understanding Electrical

3. Follow the power flow: Electrical distribution system diagrams illustrate how power flows from the source to various loads or devices. Typically, the power flows from

Electrical installation for commercial & public building



This document provides guidance on electrical installations for commercial and public buildings. It discusses key considerations for wiring types, circuit diagrams,



Electrical drawing for shopping complex

In the dazzling world of retail, there's a silent maestro orchestrating

Wiring Diagrams Lighting Circuits

Wiring diagrams for lighting circuits are essential for any electrician or DIY handyman looking to install or modify lighting fixtures. Knowing how to



Electrical installations of a shopping center

Plan of electrical installations for a shopping center; electrical installation; lightning; power outlets; single-line diagrams and load chart; typical details.





Extract from LV 10 · 10/2018

Whether you are planning a shopping mall, a hospital or a production building, with SIMARIS design it is possible to considerably reduce the amount of work required for the overall planning of power



Complete Guide to Commercial Distribution Panels [May

Learn how commercial distribution panels work, their key parts, types, and how smart features and maintenance ensure safe, efficient power management.

Electrical Distribution Panel Wiring Diagram Guide

Explore the key components and layout of an electrical distribution panel. Understand how each part works together to ensure safe and reliable electrical



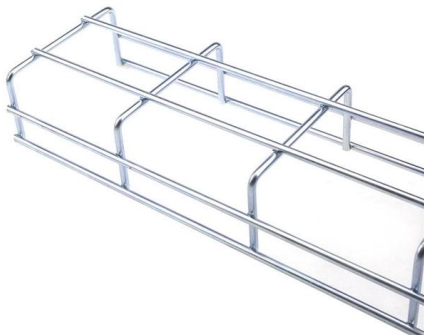
Lighting System Circuit Diagram: Boost Efficiency and Illuminate

Lighting System Circuit DiagramDiscover the intricate world of lighting systems with our comprehensive and detailed circuit diagram. From residential to commercial applications, this biographical guide



Shopping Mall Lighting and Power Layout Plan Detail

This shopping mall lighting and power layout plan with cable detail provides a complete electrical drawing showing lighting fixtures, power distribution, and



Shopping Mall Distribution Substation

Product description: YB typed pre-fabricated substation is for HV/LV equipment, transformer combination of a compactly equipment device. Widely used in urban high-rise buildings, urban and rural

Sahadat-Hossain-Sakil/Electrical-Design-of-a-shopping-

As a part of the "Electrical Service Design" course (1.5 credits) in the 2nd year of my academic program, I undertook a project focused on the electrical



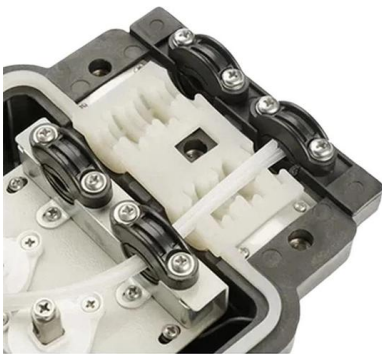
Expert Electrical Drawing for Commercial Buildings

We provide best electrical drawing for commercial buildings such as Hospitals, Schools, Hotels, Offices, Restaurants, Shopping Malls, etc.



Understanding the Structure of a Lighting Control Panel

In modern buildings and facilities, lighting control systems are essential for managing and controlling the lighting levels and energy consumption. A lighting control



Shopping Mall SLD , PDF

Shopping Mall SLD - Free download as PDF File (.pdf), Text File (.txt) or read online for free. Single Line Diagram- Shopping Mall

Contact Us

For datasheets, pricing, or custom high-speed optical interconnect solutions, please visit:
<https://www.syropy.com.pl>