

Serbia makes bulk purchase of 1 6T transimpedance amplifiers





Semtech Unveils High-Performance TIAs for 1.6T AI

Semtech Corporation today announced two new FiberEdge® transimpedance amplifiers (TIAs) designed to address power efficiency

Low Noise Transimpedance Amplifiers

Find Low Noise Transimpedance Amplifiers related suppliers, manufacturers, products and specifications on GlobalSpec - a trusted source of Low Noise Transimpedance Amplifiers information.



Semtech Unveils High-Performance TIAs for 1.6T AI Data Centers

The GN1834D expands Semtech's industry-leading 200G TIA portfolio that enables the emerging 1.6T optical interconnect market through advanced 200G per channel performance and





Advancing Optics with a Hybrid Route to TIAs

Advancing Optics with a Hybrid Route to TIAs By Nicola Bramante, Senior Principal Engineer
Transimpedance amplifiers (TIAs) are one of the



ASMPT Drives Optical Transceivers Towards 1.6T

According to CICC's research report, large-scale batch deployment of 1.6T optical transceivers is expected in 2025, with estimated shipments ranging

Transimpedance Amplifiers - Mouser

Transimpedance Amplifiers are available at Mouser Electronics. Mouser offers inventory, pricing, & datasheets for Transimpedance Amplifiers.



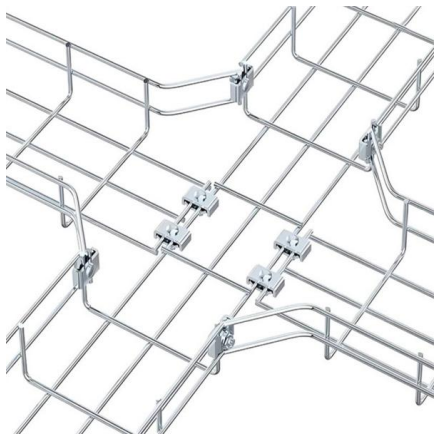
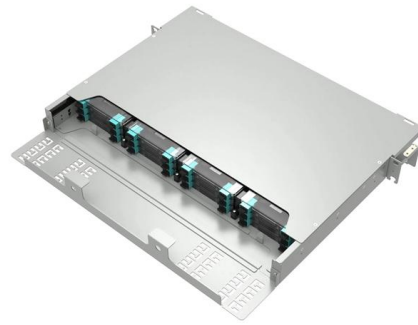
Transimpedance Instrumentation, Op Amps, Buffer Amps

Shop DigiKey's large in-stock selection of Instrumentation, Op Amps, Buffer Amps. View inventory, pricing and order now for same day shipping!



Transimpedance Amplifiers - Mouser Europe

Transimpedance amplifiers are available at Mouser Electronics from industry leading manufacturers. Mouser is an authorized distributor for transimpedance amplifier manufacturers including Analog



Transimpedance Amplifiers Market Size, Share & Growth , Report

Evaluate comprehensive data on Transimpedance Amplifiers Market, projected to grow from USD 1.2 billion in 2024 to USD 2.5 billion by 2033, exhibiting a CAGR of 9.5%. This report provides strategic

A Bulk Driven Transimpedance CMOS Amplifier for SiPM Based

This thesis discuss the design of a bulk-driven transimpedance amplifier suitable for detectors where the front end is a SiPM. The amplifier was design and fabricated in a standard



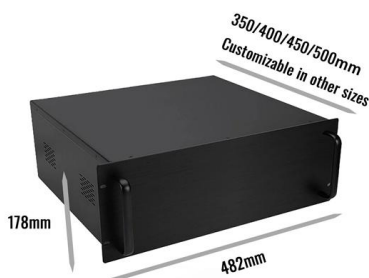
Semtech Unwraps Two New FiberEdge Transimpedance Amplifiers

Semtech Corporation, a leading provider of high-performance semiconductor, Internet of Things ("IoT") systems and cloud connectivity service solutions, has announced two new



Semtech Unveils High-Performance TIAs for 1.6T AI

Semtech Unveils High-Performance TIAs for 1.6T AI Data Centers Semtech Corporation today announced two new FiberEdge® transimpedance

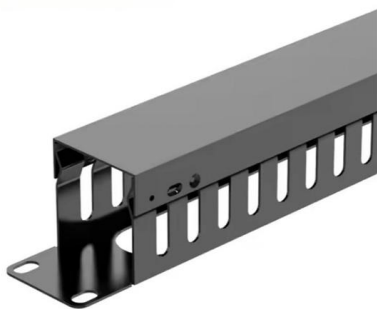


Charting the Path Toward 1.6T and 3.2T Optical Module

This architecture is similar to that of the 800G 2 x FR4, but this solution features eight high-speed MZMs operating at 200 Gbps, simplifying the design of 1.6T

Transimpedance Amplifiers , Delivering World Class

Marvell's transimpedance amplifier (TIA) portfolio powers PAM4 and Coherent-based pluggable optical modules for high-speed cloud AI connectivity and long-haul



Transimpedance Amplifier Selection and Applications

Transimpedance bandwidth. All transimpedance amplifiers have low-pass transfer functions when operating in the linear range. Many practical

Transimpedance Amplifiers Selection



Guide: Types, Features

Transimpedance amplifiers (TIAs) are used to convert an input current into an output voltage. Applications Transimpedance amplifiers are useful in many important applications, including:

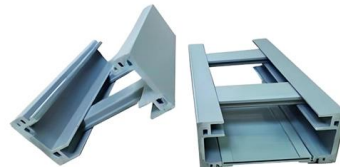


Advancing Optics with a Hybrid Route to TIAs

Recognized by multiple hyperscalers for its superior performance, Marvell 200G TIAs are becoming a standard component in 200G/lane optical

TeraSignal Unveils World's First 4x200G Intelligent TIA

Ultra-low power consumption of just 210mW/channel, operating from 3V and 1.8V power supplies. Fully differential architecture with high-linearity, low



ASMPT Drives Optical Transceivers Towards 1.6T

ASMPT MEGA Empowers the Take-off of 1.6T Market ASMPT MEGA series of fully automatic multi-chip bonding machines feature high-precision



A Review of Modern CMOS Transimpedance Amplifiers

The work presents a review of modern CMOS transimpedance amplifiers (TIAs) in the context of their application for low-cost optical time-domain reflectometry (OTDR).



Transimpedance Amplifiers Market 2025

Transimpedance Amplifiers Market Overview In electronics, a transimpedance amplifier (TIA) is a current to voltage converter, almost exclusively implemented with one or more operational amplifiers.

The tradeoff between noise, data rate, and power consumption of

AbstractThe inverter-based shunt-feedback transimpedance amplifier (TIA) has become an essential building block for high-speed receivers for optical interconnects in advanced



Contact Us

For datasheets, pricing, or custom high-speed optical interconnect solutions, please visit:
<https://www.syropy.com.pl>