

Selling electrical distribution box factory





Overview

Find trusted distribution box factory suppliers with customization, IP65 waterproof options, and OEM services. Browse 17 San Francisco Bay Area Wholesale and Distribution businesses available for sale on BizBuySell. Alloy steel, carbon steel, stainless steel, steel, aluminum, bronze alloy, cobalt, copper, iron, lead, titanium and fiberglass reinforced. From residential and industrial to photovoltaic applications, see how SKKBO designs electrical products that are trusted worldwide.



Selling electrical distribution box factory



PowerBox Factory

Power distribution boxes, racks, splitters, adapters and cables. Custom-made and certified PDUs, easy to move and stack up.

Wholesale and Distribution Businesses For Sale in San

Browse 17 San Francisco Bay Area Wholesale and Distribution businesses available for sale on BizBuySell. Find your ideal Durable Goods, Nondurable Goods, or other San Francisco Bay Area



The Complete Guide to Distribution Box: Installation, Types & More

Blog The Complete Guide to Distribution Box: Installation, Types & More By Admin Aug 2, 2025 No Comments # distribution box Introduction Electrical systems power our homes, offices, and

What Is a Distribution Box?

With replaceable receptacles, distribution boxes are versatile. You can customize them to match your electrical application. Some distribution boxes



Power Distribution Enclosures Suppliers

Manufacturer & distributor of power distribution enclosures including aluminum, polyester & stainless steel electrical enclosures that are certified & accepted worldwide for all increased safety areas.



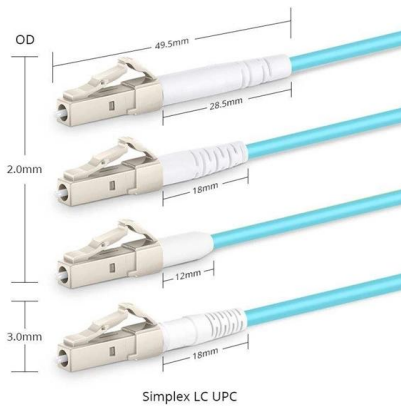
Distribution Box Manufacturer

Distribution Box Manufacturer DOHO is a major manufacturer of distribution boxes and products in China. We have been providing quality OEM/ODM service to



What is an Electrical Distribution Box? A

When it comes to electrical safety, every building -- whether it's a cozy home or a sprawling factory -- needs a secure system to manage and





Professional Electrical Box & Distribution Box Manufacturer

As a leading electrical box manufacturer with more than 20 years of industry and R& D experience, SKKBO provides versatile and high-quality



Distribution Box

Selhot Electric offers factory-direct IP65/IP67 waterproof distribution boxes. UV-resistant PC/ABS material, CE/TUV certified, custom knockouts available. Get a



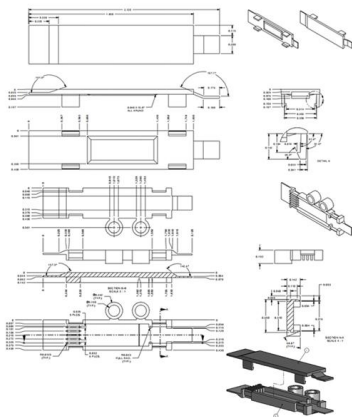
DISTRIBUTION BOX

VIOX: Leading manufacturer of premium distribution boards and electrical panels. Custom solutions for residential, commercial, and industrial applications. Offering



Distribution Box

GUANGPU Electrical Co.,Ltd is a professional Distribution Box Manufacturer in China, it offers one-stop customized box service for customers. Every client can





10 suppliers for "Power distribution boxes"

Buy power distribution boxes in bulk online from 10 verified wholesale power distribution boxes suppliers, manufacturers (OEM, ODM & OBM), distributors, and factory lists on Global Sources.



Custom Power Distribution Box Manufacturers , J& HW

Choosing custom power distribution boxes from J& HW Group ensures cost efficiency through in-house production of components like sockets, wires, and casings.



Professional Distribution Box Factory: Advanced Manufacturing

Leading distribution box manufacturer offering custom solutions, advanced manufacturing technology, and comprehensive quality assurance for all electrical distribution needs.



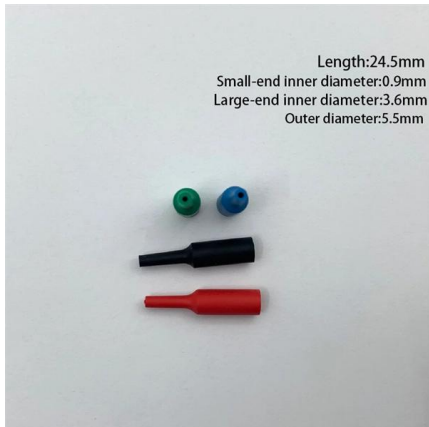
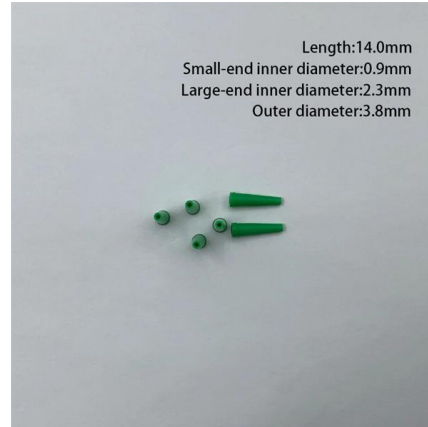
What Is an Electrical Distribution Box? A

An electrical distribution box is a centralized unit responsible for distributing electrical power across multiple circuits within various



Wholesale Power Distribution Boxes from Manufacturers, Power

Dive into our online wholesale power distribution boxes products catalog on globalsources ! Source over 59 power distribution boxes for sale from manufacturers with factory direct prices, high quality &



Buy Electrical Panels & Distribution Boxes Online

Discover competitive electrical panels distribution box prices for efficient power management in commercial and industrial settings. Safety tips included.

Distribution Box Factory

Distribution Box Manufacturers, Factory, Suppliers From China, We glance forward to giving you with our solutions while in the in the vicinity of future, and you will



China Electrical Distribution Box Suppliers,

As one of the leading Electrical Distribution Box manufacturers and suppliers in China, we warmly welcome you to buy or wholesale high quality, advanced and



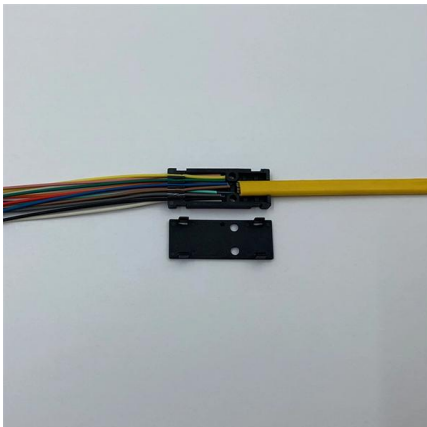
ZCEBOX Distribution Box Manufacturers

Discover high-quality distribution boxes for industrial and outdoor use. Browse durable, waterproof IP65-rated electrical distribution boxes from reliable manufacturers. Free customization, OEM/ODM available.



Distribution Boxes

Discover E-Abel's wide range of durable distribution boxes for industrial and electrical use, offering practical, flexible, and innovative solutions.



Industrial Electrical Distribution Boxes , DENG YUE

Discover our Industrial Electrical Distribution Boxes, meticulously engineered for robustness and dependability. These high-performance electrical distribution boxes come equipped with multiple blue



Electric Power Distribution Box OEM Factory

Electric Power Distribution Box This electric power distribution box 16 channels, with 160 amp main breaker, is good for all kinds of mobile live events, it is convenient



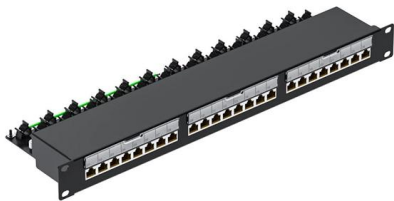
Distribution Box Manufacturing Process , Custom Electrical Enclosure

A distribution box is an essential component in electrical engineering, widely applied in residential, commercial, and industrial projects. Customers today not only care about the performance of the



Best Custom Distribution Box Electrical Factory, Product

When it comes to reliable and efficient electrical solutions, our Distribution Box Electrical is tailored to meet your specific needs. We understand that every project is unique, and that's why we offer



Top Distribution Box Factory Suppliers for 2025

Find trusted distribution box factory suppliers with customization, IP65 waterproof options, and OEM services. Click to explore verified manufacturers for your electrical needs.



The Importance of Distribution Boxes in Electrical Systems

Learn more about how distribution boxes play a critical role in the safe and efficient operation of electrical systems.



Contact Us

For datasheets, pricing, or custom high-speed optical interconnect solutions, please visit:

<https://www.syropy.com.pl>