

Sealing the conduit in the small distribution box





Sealing the conduit in the small distribution box

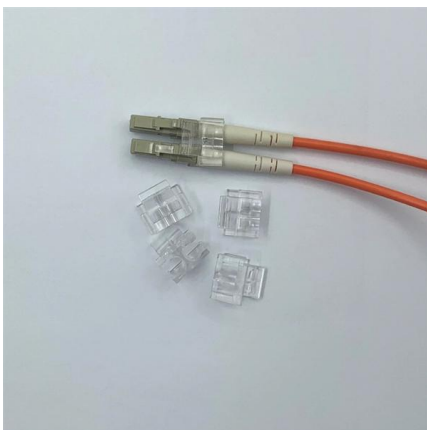


SEALING OF CONTROL CABINETS & ELECTRICAL

It is achieved through the automated, contour-accurate application of a liquid seal consisting of two components that flow seamlessly into one another at its coupling point. As a result, it is almost

A Beginner's Guide to Conduit Coupling, Box Connections And More!

In this week's video our Technical Specialist, Dave Harris, shows you how to join 2 pieces of conduit with a coupler, how to make a proper box connection, an



How to Seal an Electrical Enclosure? [May 2026]

Learn how to seal electrical enclosures effectively to protect equipment from moisture, dust, and harsh environments. Step-by-step guide and

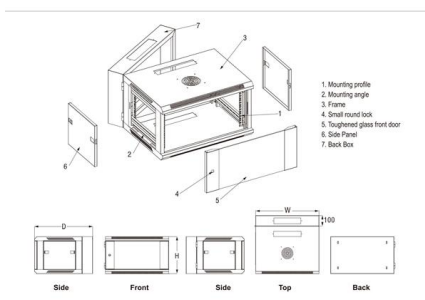
Seals to secure power transmission and distribution

We work with leading HVDC technology providers globally. Owners, system suppliers and contractors use our cable, pipe and conduit seals in walls,



What material to use for sealing inside of outdoor

Question What should I use to seal the inside of the conduit, and where? I have duct seal "putty" but have read that over time it does not make a



IF 287

When sealing vertical conduits (Chico A or SpeedSeal), compound is poured through the small upper pipe plug opening. Remove the large lower plug and pack a dam in the bottom hub in accordance



Sealing distribution panel, raceways and boxes for un-metered

All cabinets, conduit fittings and equipment enclosures containing un-metered conductors shall be made sealable before service will be energized. I am assuming this rule exist because Con





How Do You Seal a "Wire Conduit"?

Discover 4 ways to seal a conduit carrying wire or cable from the passage of gases, vapors and liquids. Effectively seal conduits with sealant solutions from Polywater.



Conduit seals

Our seals can meet any application type from core-drilled to PVC conduit or metal conduit. These seals are easily specified on new construction

How to Install a Cable Distribution Box Safely and

In modern electrical systems, cable distribution boxes (also known as electrical distribution boxes or distribution boxes) play a crucial role as the key



The 'Ex d' protection method: the function of the conduit

The main function of a conduit sealing fitting is to prevent the propagation of an explosion from the inside of the 'Ex d' flameproof enclosure to the outside,



SEALING OF CONTROL CABINETS & ELECTRICAL DISTRIBUTION BOXES

Automated sealing solution for control cabinet construction The lifelines of highly automated industrial production for electrical distribution and for the control and safety technology of manufacturing plants



How-To Guide

Learn how to use the easiest method to insulate, and have an air tight seal around, outlet and switch boxes on exterior and interior sound walls.

Sealing of wiring system penetrations

Sealing requirements Regulation Group 527.2 requires both - external sealing, such as the filling of gaps around a cable where it passes



How to Use Duct Seal on an Electrical Box

A complete guide to using electrical duct seal to secure junction boxes, improving home energy efficiency, moisture control, and pest exclusion.



Sealing a junction box : r/electrical

PVC conduit has been recommended, and while I agree it is generally a good choice for mechanical cable protection, you need to make sure that it is well sealed in weather areas otherwise you can just

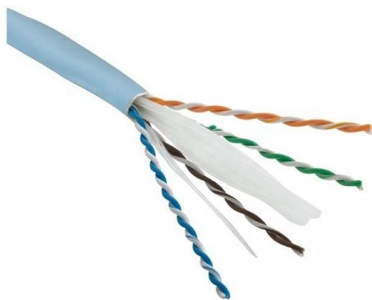


How to Install a Distribution Box--A Comprehensive

Whether you are an electrical contractor or a construction brigade, knowing how to properly and safely install distribution boxes is the basis of

The installation requirements for the distribution box

Learn how to install a distribution box safely and correctly. Covers wiring, placement, standards, and expert tips for a compliant setup.



Conduit Sealing Instructions for Equipment in Hazardous Locations

Conduit seals prevent explosions from spreading through conduit systems and igniting outside atmospheres. When properly installed and filled with a UL-listed sealing compound, they prevent the



Distribution Box Wiring Steps

?Wiring and Binding? ?Wiring Direction?: Wiring between the main circuit breaker and each branch circuit breaker in the box generally goes on the left, and



How to Properly Seal an Electrical Conduit

For conduits entering an electrical enclosure, ensure there is enough slack in the conduit run to permit minor movement or vibration without stressing the seal. A proper seal should be

electrical

With respect to junction boxes (receptacles and switches) the common approach seems to be sealing the gap between the box and the wall



Assembling an Electrical Conduit Seal

When connecting the conduit in the wall, use a conduit waterproof seal around the circumference of the box to prevent moisture from seeping in and



Duct (flow)

Sealing leaks in air ducts reduces air leakage, optimizes energy efficiency, and controls the entry of pollutants into the building. Before sealing ducts it is



Contact Us

For datasheets, pricing, or custom high-speed optical interconnect solutions, please visit:
<https://www.syropy.com.pl>