

# **Samoa Large Micro-Modular Data Center**





## Samoa Large Micro-Modular Data Center

---

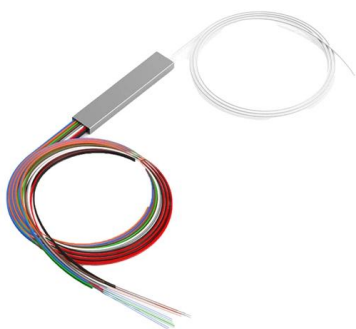


### Samoa Ongoing Data Center Facility Projects Database

Search all the ongoing (work-in-progress) data center facility projects, bids, RFPs, ICBs, tenders, government contracts, and awards in Samoa with our comprehensive online database.

### Micro Data Centers / Mini Data Centers

Due to their compact design, micro data centers and mini data centers can be deployed at the edge of the network and are often used for edge computing applications. They contain all of the compute,



### Modular Data Center Solutions , Dell USA

Deploy technology at the edge or anywhere your data is generated with modularized, integrated racks built outside traditional data center constraints.

### Top 10: Modular Data Centre Companies

Here we highlight the top 10 companies leading the modular data centre revolution, ranked by market leadership, innovation, global scale and



### Samoa Modular Data Center Market (2025-2031) , Companies

Samoa Modular Data Center Market is expected to grow during 2025-2031



### Why Modular Data Centers Are Gaining Momentum

Modular data centers are purpose-built to offer flexibility and scalability to adapt to evolving technologies.



### Data Center Construction Management Apia Samoa WS

DC Deployed caters to a diverse range of industries in Apia, from local data center owners to multinational corporations utilizing data storage facilities. The city's strategic location in the Pacific



### Smart Micro Modular Data Center Solutions

Discover Smart Micro Modular Data Center Solutions with One Row One DC, delivering integrated power and cooling, flexible scalability, and reliable



### Samoa Modular Data Center Market (2025-2031) , Companies

Market Forecast By Functional module solution (All-in One Functional Module, Individual Functional Module), By Service (Infrastructure Management, Integration & Deployment, Consulting), By Industry

### Samoa Micro Data Centers Market (2025-2031) , Trends, Outlook

Market Forecast By Component (IT Equipment, Power & Cooling, Security Solutions, Services), By Rack Type (Standalone, Rack-Based, Containerized, Modular), By Enterprise Size (Small & Medium



### What Is a Micro Data Center?

Prefabricated modular data centers: Prefabricated modular data centers are typically larger, stand-alone installations deployed outside of main



## Modular Data Center Market Size, Share & Growth, 2033

The global modular data center market is projected to grow from USD 102.94 billion in 2025 to USD 986.80 billion by 2033, at a CAGR of 32.65%.

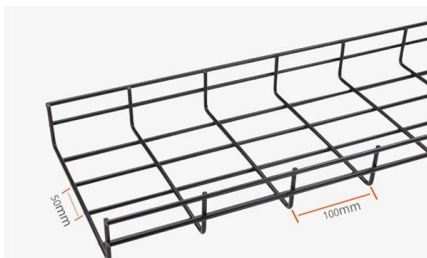


## Modular Data Center Market Size, Growth and Forecast

Modular Data Center Market size was valued at USD 30.26 billion in 2024 and is anticipated to reach USD 110.69 billion by 2032, at a CAGR of 17.6% during the

## The Modular Data Center Ultimate Guide

A modular data center is a quick, flexible, and cost-effective way to boost your data storage. Using prefabricated



## Micro-Modular Data Centers Market Tracker - 2025 Omdia

This is the second edition of the Micro-Modular Data Centers Market report. This tracker will be updated annually. This report includes 2024 as a base



We publish news, magazine features, and podcasts about the hyperscale & cloud, colocation & wholesale, artificial intelligence (AI), semiconductors, Edge computing, investment and



### Micro Data Centers: What Are They? and Why Use

Micro data centers (MDC) are small, modular solutions built for edge computing, providing mini yet efficient compute and storage to meet localized needs.

### Modular Data Centers That Propel Innovation

The traditional data center tipping point While advancements in artificial intelligence, edge and high-performance computing help drive innovation across industries, they also put the squeeze on



### Data Center Site Selection Experts Consulting Samoa WS

DC Deployed's data center site selection process ensures the proper location including energy/power and utility potential for your data center's growth in Samoa, WS.



### **Micro Data Center Market Skyrockets to \$11.93 Billion by 2031**

With projected growth to \$11.93 billion by 2031, the Micro Data Center Market represents a significant opportunity for component providers, system technology integrators, investors, system



### **Data Center Site Selection Experts Consulting Samoa WS**

Our range of services includes site selection, design, construction management, and IT connectivity implementation. We prioritize collaboration and cost-effectiveness, positioning ourselves as strategic

### **Prefabricated Modular Data Center , Huawei Digital Power**

Huawei delivers prefabricated modular data center solutions with One Module One DC and container data center designs, enabling fast deployment and scalable



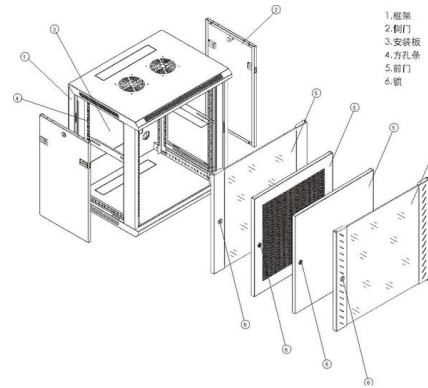
### **Modular Data Center Market Size & Strategic Opportunities 2032**

Global Modular Data Center Market Report Overview The Global Modular Data Center Market was valued at USD 35,181 Million in 2024 and is anticipated to reach a value of USD 128,699 Million by



## Modular Data Centers: What They Are and What They

Learn what a modular data center is and when it is best fit for purpose. As well as the advantages and disadvantages of a modular design.



## Modular Data Center Market Size , Industry Report, 2030

North America modular data center industry held the major share of 41.0% in 2024. The U.S. is expected to grow significantly from 2025 to 2030. By component, the

## Samoa Data Center Facility Market (2024-2030) , Competitive

Historical Data and Forecast of Samoa Data Center Facility Market Revenues & Volume By Large Enterprise for the Period 2020- 2030  
Historical Data and Forecast of Samoa Data Center Facility



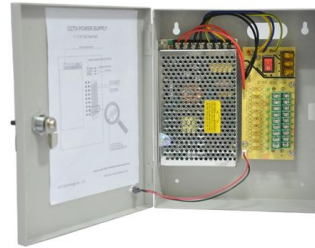
## Edge computing leverages modular power in scalable

To deliver on the promise of these smart technologies, faster computation and data transfer speeds are needed closer to smart devices, closer to "the edge." HIRO, a

## Micro Data Centers Explained , Key Components,



Learn about Micro Data Centers (MDCs), their key components, features, and advantages. Understand their role in edge computing and how



### **Micro-modular data centers set to multiply**

Edge computing is driving demand for micro-modular data centers, which are prefabricated IT facilities encapsulated in their own protective shell.

## **Contact Us**

---

For datasheets, pricing, or custom high-speed optical interconnect solutions, please visit:  
<https://www.syropy.com.pl>