

ST Interface Single-Mode Fiber Transceiver Self-operated





Overview

FiDO-T-ST offers unmatched flexibility and cost efficiency for SDI to Fiber conversion, allowing for long cable runs up to 10 km (32,808 ft) with electrical isolation - useful for eliminating ground loop problems. Improve safety, signal integrity, and reliability by using two optical fibers instead of wire to transfer bidirectional serial data using single-mode optical fiber. Apply for instrumentation, protection, automation and other applications that benefit from economical fiber-optic links up to 23. Singlemode Fiber Optic Transmitters, Receivers, Transceivers are available at Mouser Electronics. Scan Converters for Region of Interest extraction from HDMI, SDI, DVI, and DisplayPort. The FRM220-E1-T1-ST015 is a single-mode 1310nm, 15Km range, dual fiber, E1 or T1 extender. For additional information on SFP Transceivers, see 10G/8G SFP Transceivers, CWDM SFP Transceivers, or DWDM SFP Transceivers.



ST Interface Single-Mode Fiber Transceiver Self-operated



10Mb/s Single Mode 1310nm 10km SC/FC/ST 1x9 TTL

10Mb Single Mode 1310nm 10km Duplex SC/FC/ST 1x9 TTL Optical Transceiver Manufacturer, Affordable Factory Price, 5-Year Warranty & Money-back Guarantee.

FRM220-E1-T1-ST015: E1/T1 Single-Mode ST Fiber Converter 15Km

The FRM220-E1-T1-ST015 is a single-mode 1310nm, 15Km range, dual fiber, E1 or T1 extender. A simple DIP switch sets unit for operation on E1 120Ohms or T1 100Ohms twisted pair copper interfaces.



fiber transceiver single mode , Newegg

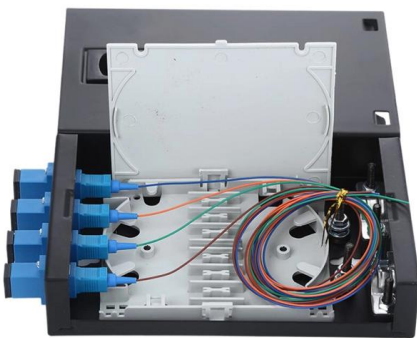
Search Newegg for fiber transceiver single mode. Get fast shipping and top-rated customer service.

Single-mode vs. Multimode Transceivers: How Do You

Multimode fiber and singlemode fiber Laser Source When comparing singlemode vs. multimode transceivers in terms of laser source, they each use different types.



WebiTelecomms Cabling



Altronix Products

Altronix P15M10 are hot-pluggable SFP fiber transceiver modules and are readily usable with all Altronix Spectrum fiber optic equipment for 1G transmission rates.

Single Mode SFP Transceiver: Complete Guide Explained

Learn what a single mode SFP transceiver is, how it works, key specs, common types, and real-world use cases for long-distance fiber optic networks today.



Single Mode Fiber Transceivers - Fiber Savvy

Single Mode Fiber Optic Transceivers are essential components in high-speed, long-distance data transfer networks. Their ability to support high data rates, reach, and reliability make them ideal for





Altronix Products

Altronix P1SM10 are hot-pluggable SFP fiber transceiver modules and are readily usable with all Altronix Spectrum fiber optic equipment for 1G transmission rates. The P1SM10 is to be used with Single



SFP Transceiver Single Mode: High-Performance Solutions

What is an SFP Transceiver Single Mode LC Module? An SFP (Small Form-Factor Pluggable) transceiver single mode LC module is a compact, hot-swappable

Singlemode Fiber Optic Transmitters, Receivers, Transceivers

Mouser offers inventory, pricing, & datasheets for Singlemode Fiber Optic Transmitters, Receivers, Transceivers.



12G-SDI Over Fiber Optic Transceiver ST Connectors

The NBX-TRX-12G-ST from MultiDyne provides a miniature solution to transmit and receive 12G-SDI signals over single-mode fiber optic cable using ST fiber optic

1-Channel 3G-SDI to Single-Mode ST Fiber



Transmitter

AJA FiDO fiber converters expand your range all the way up to 10km with Single Mode. Transceivers, transmitters and receivers available with SC or ST connectivity and LC Multi-Mode or Single Mode



Singlemode: Transceiver Lösungen & Einsatzbereiche

Entdecken Sie unsere vielfältige Auswahl an Singlemode Transceivermodulen, die speziell für langlebige, zuverlässige und leistungsstarke Glasfaser-Kommunikation entwickelt wurden.

Singlemode transceiver modules buy online

Discover our high-quality singlemode transceiver modules at Fiber24. Available in many different models.



FRM220-E1-T1-ST015: E1/T1 Single-Mode ST Fiber Converter 15Km

The FRM220-E1-T1-ST015 can extend transparently over fiber any E1/T1 framed or unframed format signal. Unit supports local console, web-based and in-band management including powerful features



MSA Uncoded SFP Module

MSA Uncoded SFP Module - 100BASE-FX - 100MbE Multi Mode Fiber (MMF) Optic Transceiver - 100Mb Ethernet SFP - LC 2km - 1310nm - DDM Learn why IT Pros

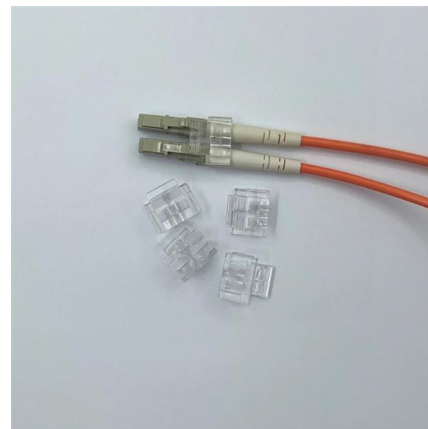


Single Mode SFP Transceiver , Optcore

High-performance single mode SFP transceivers for long-distance networking applications. Find the perfect SFP module for your switches and devices.

Singlemode Fiber Optic Transmitters, Receivers, Transceivers

Singlemode Fiber Optic Transmitters, Receivers, Transceivers are available at Mouser Electronics. Mouser offers inventory, pricing, & datasheets for Singlemode Fiber Optic Transmitters, Receivers,



1 Gigabit Singlemode SFP Fiber Optic Transceivers

Our 1 Gigabit Singlemode SFP Transceivers offer high-performance, reliable connectivity for singlemode fiber optic networks. These transceivers are



ST Single Mode Fiber Adapter Panels and Plates - Primus Cable

The full capacity of the ST Single Mode Fiber Adapter is reached when fitted within wall mount enclosures, fiber optic patch panels, along with Primus Cable cabinets. Manufactured to endure



Singlemode ST Connectors Fiber Optic Connectors - Mouser

Mouser offers inventory, pricing, & datasheets for Singlemode ST Connectors Fiber Optic Connectors.

What is Optical Transceiver: A Beginner Guide (2024)

What is an Optical Transceiver? An optical transceiver, also known as a fiber optic transceiver or optical module, is a small packaged device that uses



- IP65/IP55 OUTDOOR CABINET
- WATERPROOF OUTDOOR CABINET
- 42U/27U
- OUTDOOR BATTERY CABINET

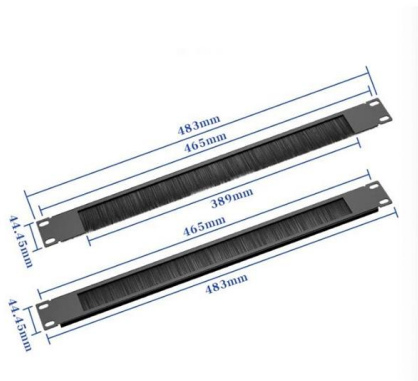
1-Channel 3G-SDI to Single-Mode ST Fiber Transmitter

FiDO-T-ST offers unmatched flexibility and cost efficiency for SDI to Fiber conversion, allowing for long cable runs up to 10 km (32,808 ft) with electrical isolation - useful for eliminating ground loop problems.



Single Fiber Bidirectional SFP Transceivers

Single Fiber Bidirectional SFP transceivers use simplex single-mode fiber to double the bandwidth, data rates up to 4G and distances up to 160km.



ST Single Mode Fiber Adapter Panels and Plates - Primus Cable

The ST Single Mode Fiber Adapter Panel amplifies a fiber optic network through ST connectors (known as Straight Tip connectors) that employ a bayonet-style coupling type, permitting a simple twist-on

1.25G 1550nm 100km 1x9 SC/ST/FC Optical

1.25G single mode 1550nm 100km 1x9 SC/ST/FC Optical Transceiver Manufacturer, Affordable Factory Price, 5-Year Warranty & Money-back Guarantee.



ST Single mode Simplex Fiber Optic Cable

Our ST single mode simplex fiber cables are made strictly according to industrial and international standards, they are 100% tested during the production, accessories



Contact Us

For datasheets, pricing, or custom high-speed optical interconnect solutions, please visit:

<https://www.syropy.com.pl>