

SC Single-Mode Fiber Disassembly





SC Single-Mode Fiber Disassembly



Fiber Patch Cable, SC to SC, Single-Mode 9/125, Duplex

These high speed Single Mode 9/125 μ m duplex fiber optic patch cables are terminated with SC fiber optic connectors on both ends (SC-SC). Referred to as

Terminating Fiber Optic SC Field Connector (APC and UPC Fast)

ST (round view) or SC (square view) connectors are used as standard products in Fiber Optic cable terminations. There are also connector types such as MTRJ, LC and FC.



SFP Fiber Optic Connector Types: LC, SC, MPO Explained

Explore common SFP fiber optic connector types, including LC, SC, and MPO/MTP. Learn their differences, use cases, and compatibility.

SC/APC Singlemode Fiber Pigtail - Procurement Guide

In this comprehensive SC/APC Singlemode Fiber Pigtail procurement guide, we'll walk ISPs, telecom operators, and network integrators through



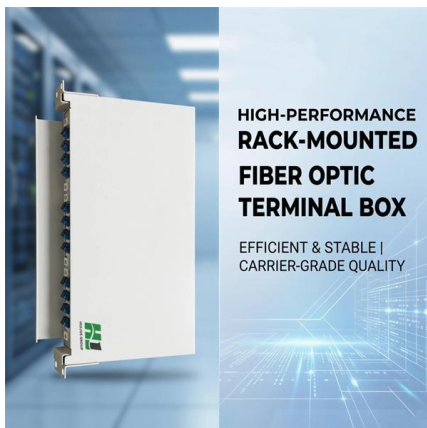
Fiber Connector, UniCam SC SPC Male, Single mode

Save time and money by utilizing these pre-polished, no epoxy fiber connectors. The Unicam series Singlemode fiber connectors come ready to install on 9/125 fiber



Fiber Optic Patch Cord Simplex SC to SC Single Mode

The Polyphaser FPC1SCSC-0SMRY30-03 is a SC to SC Simplex 9/125 single mode 3.0mm diameter fiber optic Patch Cord best used for long cable runs in any single



Instruction

Install the un-flared end onto the cable first. Using the jacket stripper tool, strip off the outer jacket at the 'A' length indicated on the template card. Use the 1.6mm opening for 3.0mm fiber. Also trim the



SC Single Mode Fiber Adapter Panels and Plates -

The SC Single Mode Fiber Adapter Panel advances a fiber optic network through SC connectors (known as Subscriber Connectors, Square Connectors or Standard



SC Single Mode Connectors: A Comprehensive Guide

SC (Subscriber Connector) single mode connectors are a cornerstone of modern fiber optic communication networks. Their robust design, high precision, and ease of use have made them a

The FOA Reference For Fiber Optics

Look at the slide graphics and then read the notes below. The notes explain the process. If you have your own equipment, do the recommended exercises. See the FOA Virtual Hands-On for the process



5m Singlemode Simplex Fiber Optic Patch Cable (9/125)

Get the best performance out of your devices with our 5 meter SC to SC (9/125) singlemode simplex fiber optic patch cables.



Single Mode Patch Cables

Single Mode Patch Cables; 200-2000 nm; Fiber Type SM; Insertion Loss ≤ 0.2 dB; Connector Type FC/PC, SC, ST, LC, MU, E2000 For its SMJ series of single mode (SM) patch cables, OZ Optics



LC/SC 9/125 Single mode Simplex Fiber Patch Cable,

With LC to SC connectors, the FCA-S1SR-LCSC-10M fiber patch cable from L-com is ready for deployment in any single mode OS1 9/125 network. This single mode,



Single-mode optical fiber

There are a number of special types of single-mode optical fiber which have been chemically or physically altered to give special properties, such as dispersion



Disassemble a fiber connector

Disassemble a SC/APC fiber fast connector.





Terminating SC connector to single mode fiber : r/networking

They have a multi-day hands on course for fiber installation and go over termination and testing. For mechanical terminations, we use Commscope quite a bit more these days due to being able to



Everything You Need to Know About Fiber Optic SC

Discover everything about SC fiber optic connectors, essential for linking multimode and singlemode fiber optic cables in telecom and data

How to Terminate Fiber in Seconds

In this video, we'll guide you through preparing and terminating fiber optic cables using SimplyFiber products, known for their high quality, ease of use, and reliability.



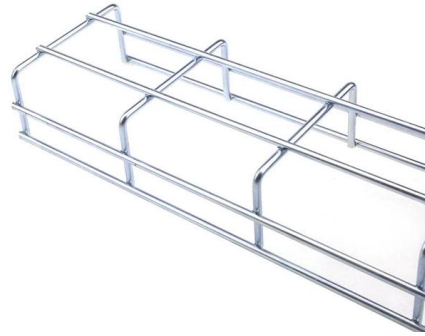
Choosing the right fiber? LC/SC, Singlemode, Multimode, etc

As I understand it, single mode is mainly for longer runs (over 2k) and multimode is for shorter, but at a lot of organizations I'm seeing multimode being phased out and replaced with single mode even for



The FOA Reference For Fiber Optics

Singlemode Fiber Termination and Polishing - Virtual Hands-On This virtual hands-on page will take you through the steps involved in the process. Look at the slide graphics and then read the notes below.



SC/SC 9/125 Single mode Simplex Fiber Patch Cable, OS1, 15 Meter

With SC to SC connectors, the FCA-S1SR-SCSC-15M fiber patch cable from L-com is ready for deployment in any single mode OS1 9/125 network. This single mode, simplex fiber cable is

Is SC single-mode or multimode?

SC refers to a type of fiber optic connector and can be used for both single-mode and multimode fiber optic cables. The SC connector itself does not specify whether it is single-mode or multimode, as it is



Gigabit Singlemode Fiber to Ethernet Media Converter,

Convert your copper Ethernet signal to fiber and extend your Gigabit connection up to 12 miles. This lightweight media converter supports SC singlemode fiber.



Single Mode Fiber Patch Cables

Single Mode OS2 fiber patch cords are used for single-mode applications. single-mode fiber is used for long-distance runs. Patch cords can have all types of ends



The Ultimate Guide to SC/APC Fiber Optic Cables

Explore our Ultimate Guide to SC/APC Fiber Optic Cables for all your fiber patch cable needs. Learn about simplex connectors, singlemode specifications, and more!



Preterminated Fiber Optic Cable, Indoor/Outdoor, 6F, Singlemode, SC

Fiber cable assembly, indoor/outdoor, singlemode, riser, tight buffer, 2mm - 18? breakout, SC, SC, simplex, built to specified length, with pulling sheath.



Contact Us

For datasheets, pricing, or custom high-speed optical interconnect solutions, please visit:
<https://www.syropy.com.pl>