

# **Russian ADSS optical cable G 654 E**





## Russian ADSS optical cable G 654 E

---

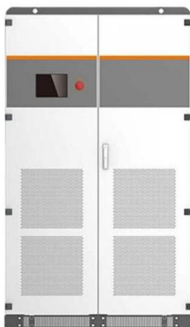


### Cutoff Wavelength Shifted Single Mode Optical Fiber E2 (G654E)

E2 (G654E) Cut off wavelength shifted Single Mode Optical Fiber E2 ?G654E? is manufactured with preforms obtained by vapour axial deposition ?VAD?. The fiber complies with ITU T G. 654.E.

### ITU-T Standard G654A G654B G654E G655C G652D ADSS Cable

ITU-T Standard G654A G654B G654E G655C G652D Aerial ADSS Fiber Optical Cable offers 4 to 288 cores, PE/MDPE/HDPE jacket, and 15-year warranty for outdoor communication., Alibaba



### Best 5 Fiber Optic Cable Manufacturers From China

Best Fiber Optic Cable Manufacturers From China Below, we profile the Best Fiber Optic Cable Manufacturers From China, highlighting each company's scale, capabilities, certifications, and unique

### GL FIBER® G.654.E Bend-Insensitive Fiber

G.654.E fibre is featured with larger effective area and lower attenuation than normal fibre, and more suitable for long-haul transmission with high capacity and speed rate.



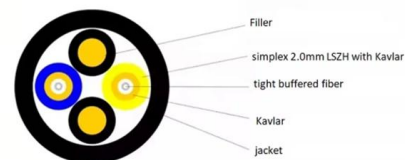
### Optical cable with ITU-T G.654.E fibre removes barriers to delivering

A new whitepaper from fibre cable experts ACOME Group and Sumitomo Electric Industries, Ltd. says that existing optical fibre cables will only be able to meet the long-term transmission capacity needs



### Ultra-low loss terrestrial long-haul fibers PureAdvance(TM) series

Ultra-low loss (ULL) optical fibers, PureAdvance(TM) series compliant with G.654.E, support high-capacity long-haul terrestrial networks. Employing pure silica core technologies, we promise to contribute to



### GL FIBER® G.654.E Bend-Insensitive Fiber

Demand of G.654.E fibre and cable is rapidly increasing in these years, it would contribute more for the improvement of optical network in future. GL FIBER's FarBand® Ultra delivers both advantages in a





### High Speed Long-Haul Optical Fiber Solution

G.654.E single-mode fiber is deemed as a promising candidate to optimize the transmission performance for next-generation ultra high-speed long

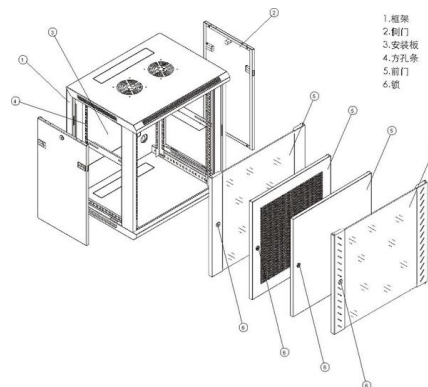


### Incab (Optical Fiber Systems and Sumitomo Electric: Optical Fiber

The optical fiber of this standard will be used for the Rostelecom PJSC project for the construction of a fiber-optic communication line from the western to eastern borders of the Russian Federation under

### Optical Fiber Types & Standards , G652D, G657A2,

This guide explains different optical fiber types including G652, G657, and OM1-OM4. Learn how to choose the right fiber optic cable for telecom,



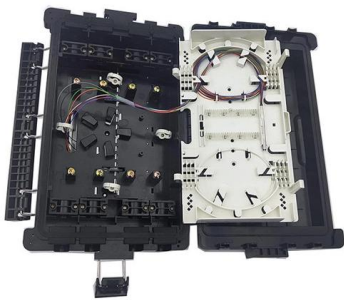
### STL G654E 125 Fibre

International Standards STL G654E 125 Fibre complies or exceeds the recommendation of ITU-T G.654.E.

### G.654EOpticalFiber



G.654E Futong's G.654E single mode optical fiber enables customers to construct high performance optical communication network international standards including ITU-T G.654.E, it



### ITU-T G.654.E Fiber, PureAdvance for Terrestrial Long-Haul Networks

Growth of global data traffic demand is driving continuous requirements for higher capacity optical transmission systems. To support these high capacity systems in terrestrial backbone networks, low

### The Difference Between G652,G657A,G655 And G654

Optical cables are engineered to meet strict optical,mechanical,and environmental performance standards for reliable long-term operation. Optical



### ADSS Cable Specifications G652D Fiber , PDF , Optical

This document provides specifications for an all dielectric self-supporting aerial cable (ADSS cable) produced by Shenzhen KSD Cable Co., Ltd. The cable uses single





### **G.654.E Optical Fiber: Low-Loss, Large Effective Area**

Compared to standard G.652.D fiber, G.654.E offers superior bend resistance and lower chromatic dispersion, making it ideal for 400G/800G



### **ITU-T Rec. G.654 (07/2010) Characteristics of a cut-off shifted, single**

Summary Recommendation ITU-T G.654 describes the geometrical, mechanical and transmission attributes of a single-mode optical fibre and cable which has the zero-dispersion wavelength around



### **G.654.E Fibre Cable**

Compared to conventional fibres such as G.652.D or G.655, G.654.E supports significantly higher bit rates over longer distances. When combined with coherent optical transmission technologies and



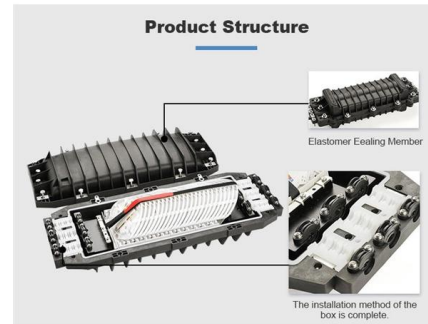
### **G.654 Fiber Specifications Overview , PDF , Optical**

YOFC DataSheet de ADSS Cable-All Dry ADSS Cable - 100m 200m Span Single Jacket



## AERIAL CABLE ANTI RODENT DIELECTRIC

AERIAL CABLE ANTI RODENT DIELECTRIC  
AR-1FATDPE-ADSS-RP-120M-96F G652D + 8F  
G655 OPTICAL FIBRE CABLE TECHNICAL  
SPECIFICATION 1.1 Scope This Specification  
covers the



### What is G.654.E fibre? What scenarios is it suitable for?

In metropolitan area networks, some optical transmission systems use wavelengths within the cut-off wavelength range of G.654.E fibre, so G.654.E fibre is not

### Ficha\_AR-1NSU-ADSS-PE-50M-xxF-G652D

2. Optical Fibre In Cable(ITU-G652D) Optical Fibres supplied in this specification meet the requirements of ITU-T G.652D.



### Cutoff Wavelength Shifted Single Mode Optical Fiber E2 (G654E)

This Specification offers promotional content. Specific characteristics of optical fiber to be determined in accordance with a contract and TU.



### **Optical cable with ITU-T G.654.E fibre removes barriers to delivering**

Their solution combines two existing fibre grades to provide a cable solution that enables longer transmission distances, higher data rates per wavelength, and reduced infrastructure requirements -



### **FS Community**

Hier sollte eine Beschreibung angezeigt werden, diese Seite lässt dies jedoch nicht zu.

### **G654.E Ultra-Low Loss Large Effective Area Optical Fiber**

The G.654.E is a single-mode optical fiber with a larger effective area engineered specifically for ultra-long-haul and submarine networks.



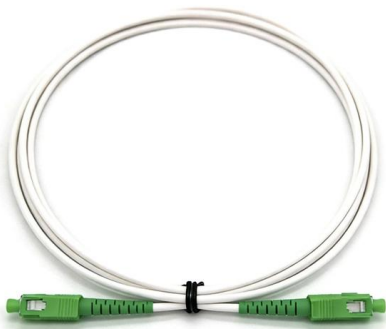
### **G654E Optical Fiber: Low-Loss, High-Speed Long-Haul Networks**

Compared to standard G.652.D fiber, G.654.E offers superior bend resistance and lower chromatic dispersion, making it ideal for 400G/800G coherent systems, submarine cables, and ultra-long-haul



## ITU-T G.654.E Fiber, PureAdvance for Terrestrial Long-Haul Networks

2. What is G.654.E? G.654.E fiber is a fiber featuring low attenuation and large core area, and is best suited for terrestrial long-haul and high-capacity transmission links.



### White paper G.654.E Fibre Cable , Acome

Upgrading to 800G and above requires fewer repeaters to amplify the optical signals and can also avoid the need for signal regeneration. Although optical fibre is often praised for its virtually

## Contact Us

For datasheets, pricing, or custom high-speed optical interconnect solutions, please visit:  
<https://www.syropy.com.pl>