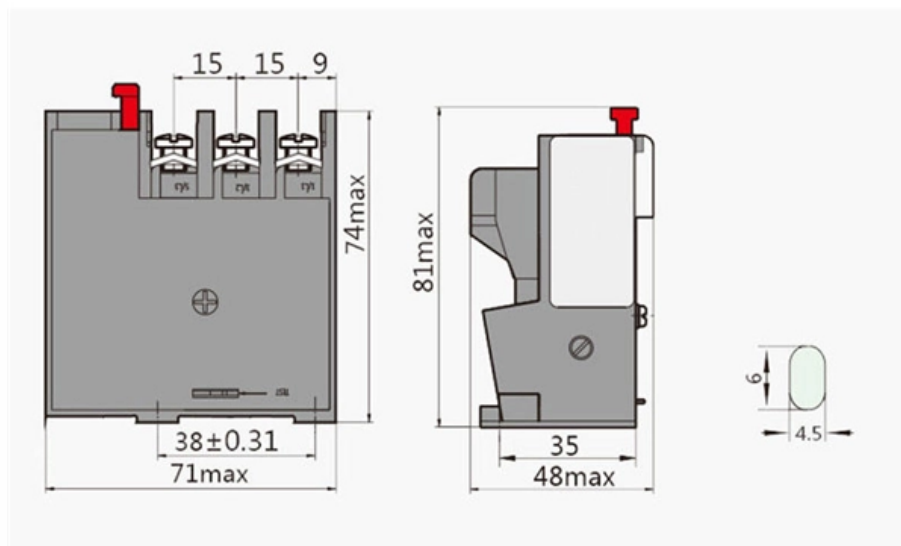


# Rewire the distribution box





## Rewire the distribution box

---

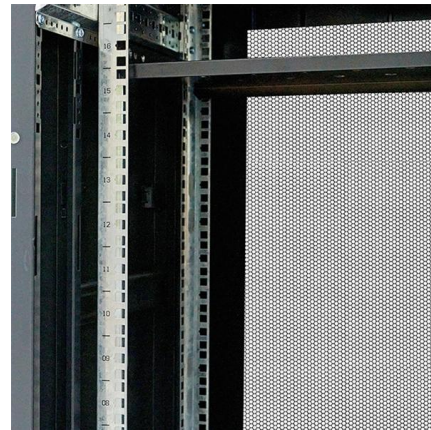


### Single Phase DB Box Wiring: Your Ultimate Guide!

Welcome to our comprehensive guide dedicated to single-phase distribution board (Db) box wiring. Within residential and light commercial environments, single-phase power distribution is

### Single Phase Distribution Box (DB) Wiring Diagram and

Hey, in this article we are going to see the Single Phase Distribution Box Wiring Diagram and Connection Procedure. A distribution board or



### How to wire a DB - Distribution Board Wiring -

How to wire a DB - Distribution Board Wiring Distribution Board or DB is an electricity supply system or a common enclosure that distributes the



### Step-by-Step Guide to Wiring a 3 Phase DB Box

Learn about the wiring process for a 3 phase distribution board (DB) box, including the necessary steps and safety precautions. Understand how to connect the incoming power



supply, distribute it to



### Power Distribution Boxes Explained Simply

Learn what a power distribution box is, how it works, key components, types, and why it's vital for safe and efficient electrical systems.

### How to wire a DB - Distribution Board Wiring -

Through the MCB phase lines are distributed to electrical wiring for lighting, fixed devices, and power distribution points. This type of arrangement is



### How To Connect A Distribution Box

Learn how to connect a distribution box with this easy-to-follow, step-by-step guide. From tools and materials needed to common installation mistakes and solutions, this comprehensive article will



## Distribution Box Installation: A Complete Guide to Safe

The distribution box, often referred to as a breaker box, fuse box, or electrical panel, is a critical component of any electrical system. It acts as the central hub for

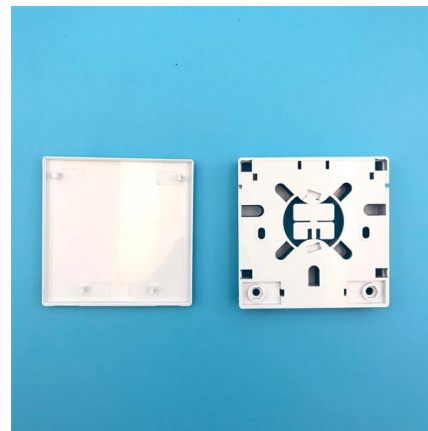


### The installation requirements for the distribution box

Learn how to install a distribution box safely and correctly. Covers wiring, placement, standards, and expert tips for a compliant setup.

### How To Wire A Distribution Board (DB Board): A Step-By-Step Guide

Proper wiring of a DB board is crucial for safety and efficient power distribution. This guide provides a step-by-step approach on how to wire a DB board safely and correctly.



### How to Wire a Distribution Board

This video will show you how to connect/wire a home distribution board. This is for rules in South Africa, please check you rules and regulations.



## Understanding Distribution Boxes: A Comprehensive Guide

A distribution box, also known as a power distribution box or electrical distribution box, is used to distribute electrical power safely to multiple



### Wiring a Breaker Box

Wiring a breaker box is a highly technical skill--knowing how it operates isn't. Take some of the mystery out of those wires and switches that lurk

### Distribution Box Wiring Steps

?Wiring Direction?: Wiring between the main circuit breaker and each branch circuit breaker in the box generally goes on the left, and the wiring out of



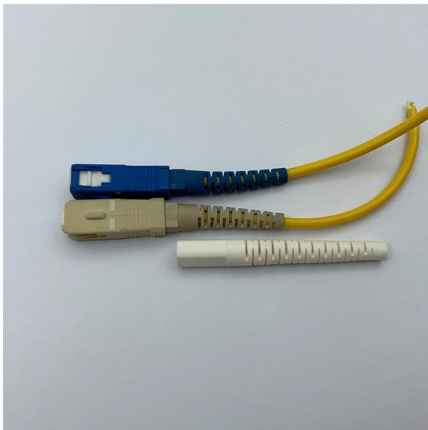
### What Is a Distribution Box?

What to Look for When Choosing a Distribution Box If you're going to buy a distribution box, there are several things you should look for. You should



## How to Wire a Home Distribution Box

In this video, we'll walk you through the process of wiring a home distribution box with a detailed connection diagram.



## DIY Wiring a Consumer Unit and Installation

/ Consumer Unit Background Wiring a Distribution Board is vital in any electrical installation. All the electrical sub circuits are originated from a Distribution

## The Complete Guide to Distribution Box: Installation, Types & More

Blog The Complete Guide to Distribution Box: Installation, Types & More By Admin Aug 2, 2025  
No Comments # distribution box Introduction  
Electrical systems power our homes, offices, and



## Distribution Box Installation: Advanced Techniques

Distribution Box Installation: Advanced Techniques. The installation of a distribution box is explored in detail, highlighting advanced techniques for achieving a professional and efficient setup.



## Electrical Rewiring Cost for Resale HDB: 2026 Singapore Pricing Guide

Key Takeaways Identify why 30-year-old PVC insulation and outdated Distribution Boards pose a fire risk in older resale units. Compare the electrical rewiring cost for resale hdb



### Small distribution box installation steps

The steps to install a small distribution box include selecting a suitable location, installing the base, placing the distribution box, connecting the

### How to Wire a Home Distribution Box

In this video, we'll walk you through the process of wiring a home distribution box with a detailed connection diagram. Whether you're an electrician



### Distribution Box Wiring Principles

?Functionality?: The wiring diagram should clearly reflect the functional requirements of the Distribution box, including the correct connection of power



## Electric distribution box wiring tutorial (very simple and practical)

In this video, we are going to wire a power distribution box. This small box has an rccb switch that protects the outputs from electric shock and also has a miniature switch that protects the



## How to Wire a Home Distribution Box

How to Wire a Home Distribution Box - Step-by-Step , Distribution DB box wiring diagram  
Welcome to our channel! In this video, we'll walk you through

## on video How to Wire a Home Distribution Box

How to Wire a Home Distribution Box - Step-by-Step , Distribution DB box wiring diagram  
Welcome to our channel! In this video, we'll walk you through the



## How To Wire A Db Board - The Dizaldo Blog!

As a DIY enthusiast or an electrician, it is essential to understand how to wire a DB board. A DB board, which stands for Distribution Board, is a central component in



## How to Wire a Distribution Board: Step-by-Step Guide

This tutorial includes detailed wiring instructions to ensure a safe and efficient installation of your distribution board. Learn how to wire a distribution board with our comprehensive step-by-



### Size determination, installation method and wiring mode

The distribution box is the central hub of the home circuit and the general control of our daily power consumption. It is an indispensable electrical equipment. If there

### Single Phase DB Box Wiring: Your Ultimate Guide!

Single phase DB box wiring involves connecting the live, neutral, and earth wires to their respective terminals in the distribution board. It's essential for distributing power safely in a single



## Contact Us

---

For datasheets, pricing, or custom high-speed optical interconnect solutions, please visit:  
<https://www.syropy.com.pl>