

Requirements for splicing power conductors and optical cables





Requirements for splicing power conductors and optical cables



Power Cable Splicing & Terminating Guide

Learn power cable splicing and termination techniques. Covers cable types, components, preparation, and more. Ideal for electrical professionals.

VA TIL Management System

27 11 26 Communications Rack Mounted Power Protection and Power Strips 27 13 13
Communications Copper Backbone Cabling 27 13
13.13 Communications Copper Cable Splicing and Terminations 27



Code Q& A: NEC Requirements for Splicing Cables and

Splices are permitted in a cable tray if the splice is accessible and insulated by a method approved by the authority having jurisdiction. Splices can

Fiber Optic Cable Splicing: A Comprehensive Guide

To support integrators, here's an easy to follow guide for fiber optic cable splicing discussing mechanical splicing and fusion splicing.



Fiber Optic Testing Standards

The Contractor tasked to perform testing or splicing on any fiber optic cable will follow these testing standards to fulfill their contractual obligations. The Contractor must utilize the correct equipment and



How to splice a power cable Safely and Effectively

This article will explain how to safely splice power cables, including the tools, materials needed, and procedures used. Following these guidelines will



Fiber Optic Cable Splicing Methods: A Practical Guide

While this guide provides a solid overview of fiber optic cable splicing, the successful execution of these methods requires extensive training, hands-on experience, and a significant





Power Cable Splicing and Terminating Guide

A splice may be considered as two or more conductors joined with a suitable connector, then reinsulated, reshielded and rejacketed with compatible materials and applied over a properly

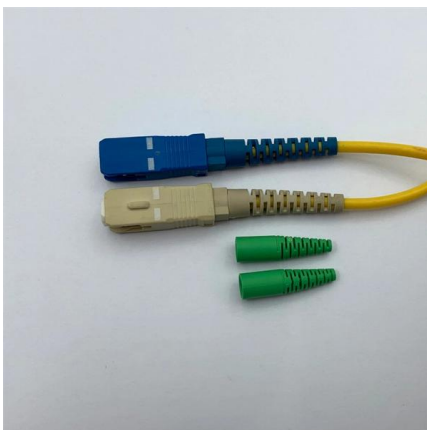
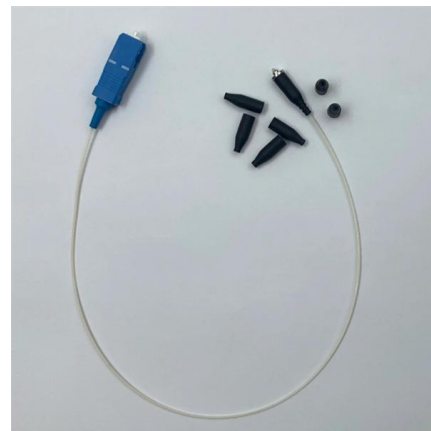


7 CFR 1755.200 -

(1) This section describes approved methods for splicing plastic insulated copper and fiber optic cables. Typical applications of these methods include aerial, buried, and underground splices.

FOA Standard For Installing Fiber Optic Cable Plants

Although most fiber optic cables are not conductive, any metallic hardware used in fiber optic cabling systems (such as splice closures, pedestals, messenger wire, wall-mounted termination boxes,



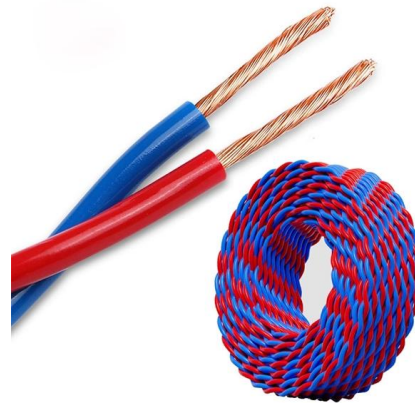
IEEE Std 576-2000, IEEE Recommended Practice for Installation

This section will cover the basic requirements for splicing insulated copper or aluminum conductors up to 69 kV (using any of the above methods): shielded and non-shielded; single and three conductor;



Standard Guide for Cable Splicing Installations¹

6.1 Cable splicing as presented in this guide uses a system of compression-crimp, tubular-metal connectors for butt connection of cable conductors and insulating systems of shrinkable tubing to



Guide to Fiber Optic Cable Splicing

Shop Fiber Optic Cable at Multilink Fiber optic cable processes are critical to industries like automotive, medical and telecommunications. Understanding the

Types of Cable Typically Used in Cable Tray

Communication Cables - types CMP, CMR, CMG, CM, CMX
Fire Alarm Cables - type NPLF - NPLFP, FPL-FPLP (CI)
Type TC - Tray Cable - (NEC Article 336)



Splicing, Testing, and Troubleshooting OPGW and ADSS Fiber-Optic Cables

This paper will provide a brief overview of the history of fiber-optic communications and types of fibers, and discuss handling, splicing, testing and troubleshooting of fiber-optic cables. In addition, it will



Standard Guide for Cable Splicing Installations

1. Scope 1.1 This guide provides direction and recommends cable splicing materials and methods that would satisfy the requirements of extensive cable splicing in modular ship construction



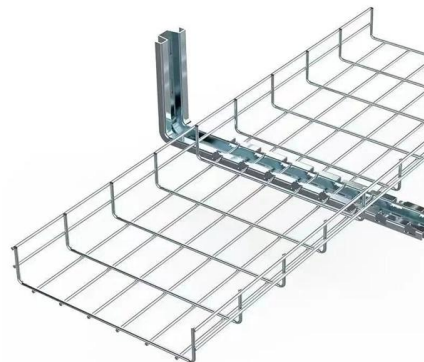
Cable splicing: Professional connection for fiber optics

One of the most important techniques used in the installation and



OPGW Splicing

First, a heat-shrink tube is placed over the OPGW cable. After that, the cable is secured with a clamp or another suitable tool to ensure stability while removing the cable's metal layers and preparing it for



SPLICING & TERMINATING PORTABLE CABLES

The decision should be based upon the cable's end use, its normal or possible environment, the physical requirements of the cable, and its splices and terminations.



F1835 Standard Guide for Cable Splicing



Installations

Scope 1.1 This guide provides direction and recommends cable splicing materials and methods that would satisfy the requirements of extensive cable splicing in modular ship construction



Cable splicing: Professional connection for fiber optics

Cable splicing is a method in which two cable ends are joined together to ensure a continuous connection. This can be done either by fusing (for fiber

Mastering the Art of Cable Splicing: Techniques and Best Practices

An industry-recognized certification program that includes comprehensive training on fiber optic splicing, testing, and installation. These references provide a foundation of knowledge and best practices for



UTC_LetterHead_FINAL

Executive Summary This paper, OPGW Grounding Techniques for Safe Fiber Splicing, outlines critical safety protocols and procedures for preparing Optical Ground Wire (OPGW) splicing



Mastering the Art of Cable Splicing: Techniques and Best Practices

We'll discuss the essential tools and materials required for effective splicing, as well as the preparatory steps necessary to ensure a successful splice. The core of the article will delve into various cable



Fibre Optic Cable Splicing Guidelines , PDF , Optical

The document provides guidelines for splicing fibre optic cable. It outlines the necessary tools, materials and steps for preparing the cable ends, splicing the

APPENDIX E FIBER OPTIC CABLE SPLICING, TESTING, AND

Fiber Optic Cable Splicing, Testing and Acceptance Criteria for Contractors This document details MFXs requirements for splicing and testing for acceptance. As MFX anticipates



Fiber Optic Cable Splicing Procedure PDF

The document discusses fiber optic cable splicing procedures and techniques. It covers topics like fusion splicing, stripping fibers, cleaving fibers, testing splices,



Cables Installation, Splicing and Termination Cable

This article is about installation, splicing, and termination requirements for power and control wire and cable in conduit and cable tray.



Contact Us

For datasheets, pricing, or custom high-speed optical interconnect solutions, please visit:
<https://www.syropy.com.pl>