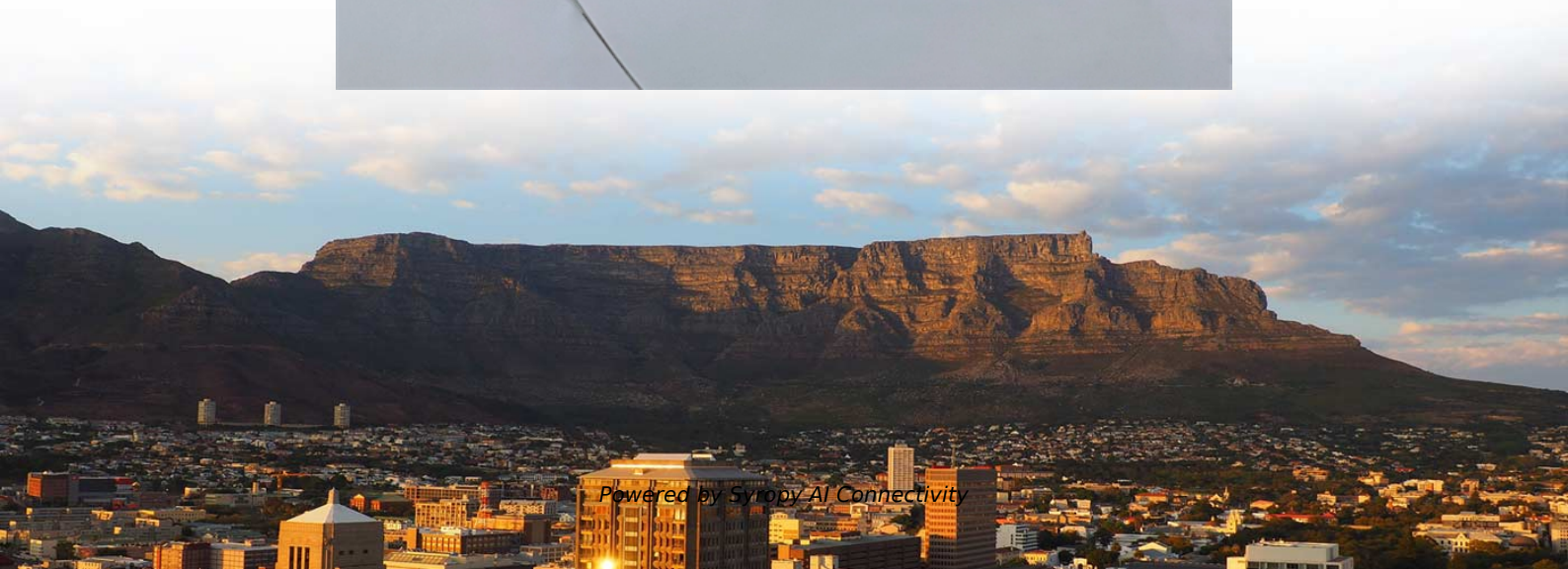


Recommended High-Quality Distribution Boxes in Northern Europe





Recommended High-Quality Distribution Boxes in Northern Europe

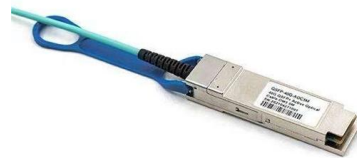
Boxes and terminals

Equipped boxes and cabinets with LV public distribution system connection equipment and public lighting control equipment.



ERGP Report on access to the infrastructure for the delivery of parcels

The European Regulators Group for Postal Services (ERGP) has proposed open access to postal networks to increase choice and transparency for operators and e-commerce players. It has also



Rising Switchgear: Quality Electrical Panels & Distribution Boxes

Rising Switchgear specializes in manufacturing high-quality electrical panels and distribution boxes. Our products are designed for reliability and efficiency, ensuring optimal performance for your electrical

What Are the Advantages of a European Cable

1. Superior Safety Standards One of the most significant advantages of European cable distribution boxes is their adherence to stringent safety



Types of Shipping Boxes: How to Ship a Box

It is very important to use a good-quality corrugated cardboard box for shipping or moving to ensure a smooth experience. Before packing your box for international shipping or moving, check our

Understanding Distribution Boxes: A Comprehensive Guide

These boxes come in a variety of sizes and shapes depending on how complex a system is and the electric requirements of the building. A variety



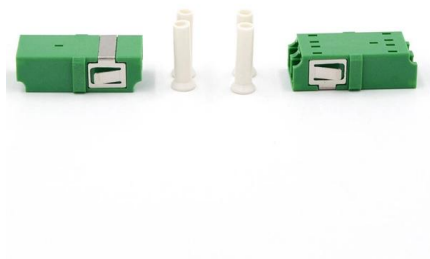
Europe Civil Distribution Boxes Market Size, Trends & Forecast

Global Trends in the Civil Distribution Boxes Market Globally, the civil distribution boxes market is experiencing significant shifts due to the evolving demands of electrical grids.



Premium packaging

Ordering custom rigid boxes from MILO Group ensures exceptional quality and reliability. Every solution is adjusted to the requirements of the product and the

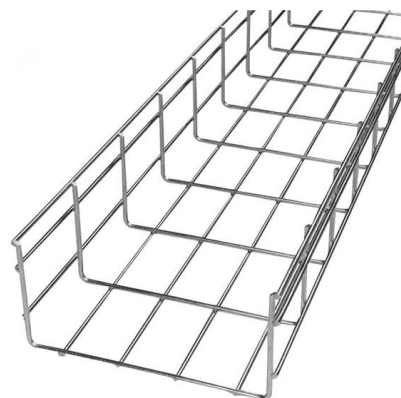


Distribution

We take distribution to the next level. Offering the strong momentum that a cross-border network can provide. Everything from a single source, in any quantity, by your appointed date is the challenge. To

Top Distribution Box Manufacturers Compared for 2025

Compare top distribution box manufacturer options for 2025 by quality, innovation, certifications, and support to choose the best fit for your project.



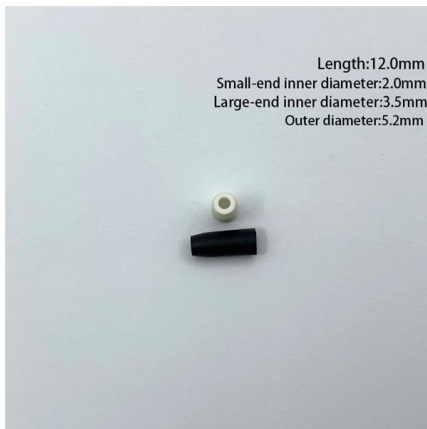
Distribution Boxes , Fibox , ABS Electrical Enclosures I Demesne

Designed and manufactured in Italy, the Euro2000 range of Distribution Boxes offer quality and reliability across the entire range. Suited for a wide variety of applications in the electrical engineering industry.



A Practical Guide to Sourcing Moving Boxes in Europe: From Spec to

A sales manager's step-by-step guide to planning, specifying, branding, and receiving moving boxes across Europe--covering board grades, print choices, logistics, and real-world cost ranges.

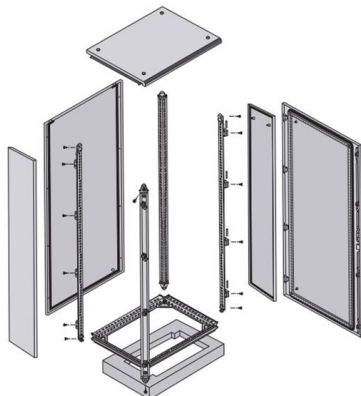


How to choose high-quality industrial distribution boxes

In the industrial production process, distribution boxes are crucial equipment. In order to ensure the smooth progress of the production process and

Australian Distribution Boxes: Key Features and How E

Learn about the unique features of distribution boxes in Australia and how E-abel meets local standards with SAA certification, advanced



Top 10 distribution box manufacturers and suppliers you should know

The right distribution box does more than route electricity - it protects investments and lives. Whether upgrading an office building or securing a manufacturing plant, these top manufacturers combine

Sustainability & Quality , Wooden Cubic



Boxes , Naus Agriboxes

High-quality sustainable wood from Europe Quality has been the hallmark of Naus' wooden storage boxes for decades. We consider



Top Distribution Box Supplier for Global Projects

The following list features verified suppliers specializing in distribution boxes and electrical enclosures. They have been selected based on their product relevance, manufacturing capabilities, certifications,

A comprehensive understanding of distribution box

At Timelec, we provide customized, high-quality distribution boxes that meet international safety standards, with a strong focus on durability,



What Are Distribution Boxes and Their Functions in

Understand the role of distribution boxes in fiber optics. Learn about their components, types, and functions in protecting and managing fiber optic

Custom Printed Packaging , Reliable



Partner , ?

Practical and aesthetically pleasing shipping box that simplifies transport! Our flap shipping box with printing is the ideal solution for companies looking for cheaper



What are the types of distribution boxes?

Distribution boxes can be broadly categorized by their voltage level, application environment, and primary function. The two most fundamental distinctions are between Low-Voltage

How to Improve the Installation Quality of Distribution Boxes

Learn key methods to enhance distribution box installation quality, including location, height, wiring, and safety compliance.



Large & heavy-duty corrugated boxes , Stora Enso

Our experts collaborate with you to create the right large boxes for your products - from reliable deliveries to cost optimisation, and protection to sustainability.



Electrical Distribution Boxes for Power Distribution , Wieland

From decentralized energy, signal and data distribution to distribution boxes for smart buildings, we offer the right solution. We mount any electronics in the manifolds! All options are open here, and the



Contact Us

For datasheets, pricing, or custom high-speed optical interconnect solutions, please visit:

<https://www.syropy.com.pl>