

Quotation for seismic bracing for cable trays in Africa





Quotation for seismic bracing for cable trays in Africa

Seismic analysis and design of electrical cable trays and support



The design aspects of electrical cable trays and support systems are discussed from the seismic and structural standpoint. The effects of the inherent flexibility of commonly used cable trays

Rev 7 to Procedure SAG.CP3, "Seismic Design Criteria for Cable Tray

A cable tray hanger is classified as a _ seismic Category I structure, and therefore, it shall be adequately designed for the effect of the postulated seismic event combined with other applicable and'

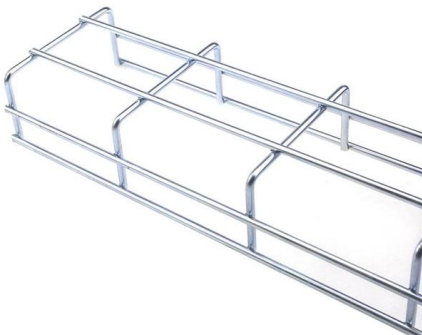


Appendix 3F Cable Trays and Cable Tray Supports

This appendix provides the design criteria for seismic Category I cable trays and their supports. Seismic Category II cable trays and their supports are also designed utilizing the design criteria of this appendix.

Seismic Cable Bracing Solutions Guide

Ezystrut offers seismic bracing solutions for cable trays and pipes that comply with Australian standards. They provide two main types of seismic bracing: cable



Cable Trays Seismic Design: Protecting Power in Quake

Learn how I approach Cable Trays Seismic Design to protect power and data in earthquake-prone areas. Understand key principles, methods, and

Seismic Bracing Hardware

Seismic braces include parts and components that secure pipes, conduit, ductwork, and other hanging equipment in buildings during earthquakes. Hardware such as rigid and cable braces, retaining



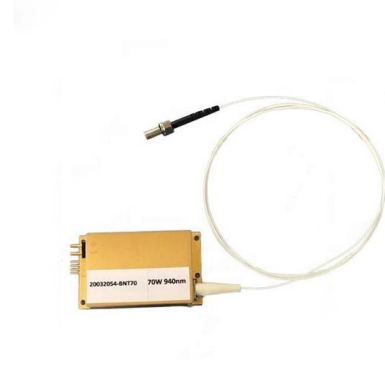
Seismic Cable Restraint Kits

Overview The Easy ex EFSCK Series Seismic Cable Restraint Kits are engineered to secure suspended non-structural components--such as ductwork, piping, conduit, cable trays, and HVAC



Cable Tray Checklist for High-Seismicity Projects

When those elements are coordinated early, cable tray systems can perform far more reliably under earthquake demands. Planning a project in a high-seismicity region? Contact our team



Seismic Bracing Kit , Seismic Bracing , Wire and Cable Hangers , Wire

Kit contains items needed for seismic bracing long cable tray runs. Each kit contains: (4) 11' cables with mounting eyelets (2) Metal brackets for attachment to support members (4) Cable clamp collars (4)

Why do 150N/m Cable Trays Require Seismic Bracing?

Not all cable trays require seismic bracing. Smaller trays (e.g., 200mm) that contain only a few control or lightweight cables will typically have a total weight below 150N/m.



KINETICS(TM) Seismic & Wind Design Manual Section

D9.0 - Electrical Distribution Systems Title Seismic Forces Acting On Cable Trays & Conduit Basic Primer for the restraint of Cable Trays & Conduit Pros and Cons of Struts versus Cables



How to install Seismic Cable Bracing

Made from high-strength materials and designed to withstand seismic activity, our cable bracing systems provide superior support and stability for your building's



Seismic and cable tray solution flyer

Eaton's B-Line series cable tray with TOLCO seismic bracing is the recommended total solution for your project. Our cable tray, bolted framing, and seismic bracing are approved as one system through

Reliable Cable Tray Seismic Bracing , Control Quake

Maximize system safety during quakes with our durable cable tray seismic bracing, ensuring cables and pipes stay secure and vibration-free.



Seismic Bracing Ensures Stability and Safety of Cable

Seismic bracing, typically made of high-strength metal, is key component specifically designed to enhance the stability and safety of cable tray systems during



Seismic Cable Restraint Kits

The Easy ex EF5CK Series Seismic Cable Restraint Kits are engineered to secure suspended non-structural components--such as ductwork, piping, conduit, cable trays, and HVAC



Performance-based optimum seismic design of cable tray system

A performance-based optimum seismic design procedure for cable tray systems is given and verified by three studied cases.

SOLUTIONS

Engineer certified designs and site inspections
Ezystrut offers a range of seismic solutions that comply with Australian Standard AS1170.4. Our one-stop solution for seismic bracing, cable tray, pipe



Installing Seismic Restraints for Electrical Equipment

INSTALLING SEISMIC RESTRAINTS FOR ELECTRICAL EQUIPMENT Notice: This guide was prepared by the Vibration Isolation and Seismic Control Manufacturers Association (VISCMA) under



Understanding the Seismic Resistance of Cable Trays

This article discusses the importance of seismic resistance for cable trays, detailing when seismic braces are necessary, the factors that affect seismic



Buy Seismic Cable Hanger Kit - Seismic Tray Support

Order now from Industry Safety Nigeria - your reliable source for professional-grade cable management and seismic bracing solutions. We deliver nationwide and

The shake on seismic bracing

Seismic bracing against the wrath of earthquakes is an increasing concern for today's data-communications and telecommunications cable installer, and efforts



Seismic Bracing Kit , Seismic Bracing , Wire and Cable Hangers , Wire

Connect cables directly to 3/8" threaded rod in trapeze installations for seismic bracing. Use 2 EZ BN 3/8 to attach cables to FAS PCH for sway bracing. Predrilled tabs allow attachment directly to concrete

Source: Seismic restraint of engineering services, Government of South Australia, Department of Planning, Transport and Infrastructure) 2nd step: Determine whether seismic bracing of engineering

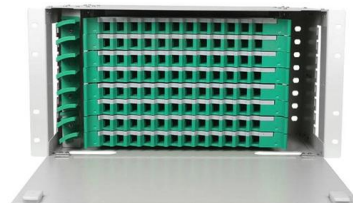


Performance-based optimum seismic design of cable tray system

The seismic performance levels of cable tray systems are presented according to current seismic design codes. A performance-based optimum seismic design procedure for cable tray

Seismic Supports

Cable trays are systems used for the safe transportation and protection of electrical cables, designed to fit the pathways within buildings and structural installations.



Seismic MEP Solutions , Eaton

Eaton's TOLCO seismic bracing solutions help protect people and non-structural components during an earthquake. For over 60 years, the mechanical, electrical, and fire protection trades have relied on





Seismic Bracing Systems for Cable Trays Catalog

Explore seismic bracing solutions for cable trays. Catalog details wire rope/cable systems, specs, design for earthquake protection.



Contact Us

For datasheets, pricing, or custom high-speed optical interconnect solutions, please visit:

<https://www.syropy.com.pl>