

Quantity of cables laid in cable trays

Optical splitter cassette type refers to the port 2.0 mm / 3.0mm slip-on fiber multichannel direct output with a plastic box packaging protection and easy to use.



Optical splitter rack mount type is using metal box packaging which can be installed in 19" frame or cabinet.



Optical splitter LGX box type is ready by flame retardant material box or plate packaging. Mainly suitable for cable points fiber box and wall mounted terminal box.



Optical splitter mini type refers to the port 0.9 mm slip-on fiber multichannel direct output with a compact design and easy to use.





Quantity of cables laid in cable trays



Ampacity of Power Cables Installed in Cable Trays

Cable ampacity, the maximum current-carrying capacity, is a critical factor in the design and operation of power cable systems. Cables installed in trays have

Cable Tray Size and Dimensions: How to Choose the

Learn how to calculate the perfect cable tray size and dimensions for your electrical project. This guide covers load capacity, fill ratios, and industry



Cable Tray Fill Rules (NEC 392)

For cables larger than 4/0 AWG, cables are installed in a single layer (no stacking) and the sum of cable diameters must not exceed the tray width. For

Cable tray filling ratios and cable layouts

Cable layouts can include up to five slots, allowing you to divide the supply cables of different systems to different sections on a tray, or to reserve extra space for future expansions. For each slot, you can



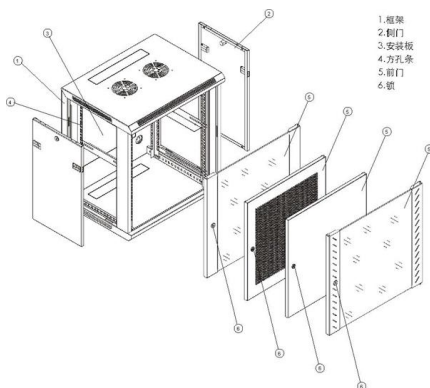
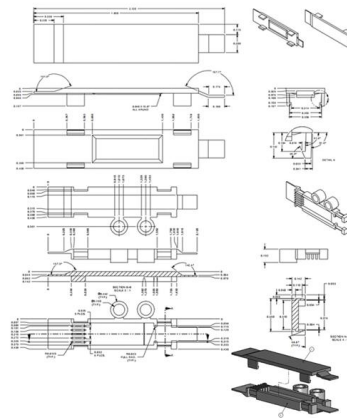
Cable Tray Size Chart and Selection Guide

Selecting the appropriate electrical cable tray dimensions is a critical decision that directly impacts the safety, efficiency, and longevity of any industrial or commercial electrical installation.



Cable Tray Capacity Calculator

This calculator determines the maximum number of cables that can be safely housed within a cable tray based on its dimensions and the cross-sectional



Cable Tray Fill Calculator

Solid bottom trays: 30-40% for power cables, up to 50% for control/instrumentation The fill capacity of a cable tray refers to the maximum amount of space that can be occupied by cables while maintaining

How Many Cables Can a Cable Tray Hold? A

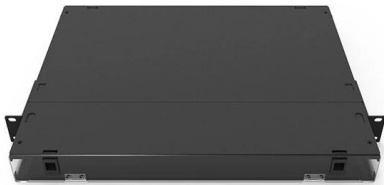


Allowable Fill Capacity: To maintain proper ventilation and allow for future maintenance, industry standards suggest filling cable trays to a maximum



Number of Multiconductor Cables rated 2000 volts or less in the Cable Tray

The total sum of the cross-sectional areas of all the single conductor cables to be installed in the cable tray must be equal to or less than the allowable cable area for the tray width, as indicated in Table 5.



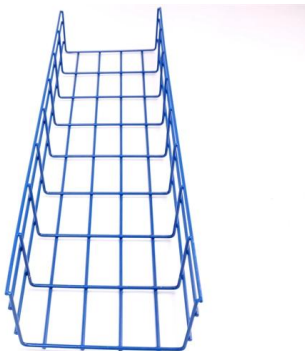
Installation Of Cable In Cable Trays: NEC, Safety

The use of ladder-type trays as raceways for insulated cables is becoming more prevalent. These raceways are being more heavily loaded with increasing



Cable Tray Fill Calculator

The Cable Tray Fill Calculator is designed to prevent the overcrowding of cables in a tray, which can lead to overheating and reduced





Cable Tray Raceway Fill and Load Calculations

Resources For Electrical & Electronic Engineers
Cable Tray Raceway Fill and Load Calculations
Cable tray / raceway is integral part of any cable management



Cable Tray Sizing Guidelines , PDF , Electricity

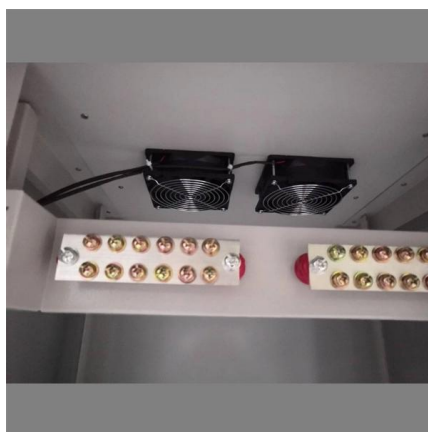
This document provides guidelines for sizing cable trays. Cable trays should be sized based on the current and future expected cable load, cable type, and allowable

Cable Tray Capacity Calculator

A Cable Tray Capacity Calculator is an essential tool for electrical engineers, contractors, and project managers involved in the installation and

Huijue engineering specific Fiber optic

HJ GROUP offers a wide variety of product types for you to choose from.



Cable Tray Capacity Calculator

Cable tray capacity refers to the maximum number of cables that can be installed in a cable tray without exceeding a specified fill ratio. The fill ratio is the percentage of the cross-sectional area of the tray



Free Cable Tray Sizing Calculator -- IEC, AS/NZS, NEC, BS

The cable tray calculator determines the required tray width and type based on the number and size of cables to be installed, ensuring adequate fill levels and derating compliance.



Max Cable Numbers Fill Table

Use this handy load guide to determine the capacity of your wire mesh cable tray. Always plan for extra space in wire mesh cable trays during the initial installation to allow capacity for future cable additions.

Tray and Ladder Sizing by Cable Capacity Calculator - IEC

Proper tray and ladder sizing ensures safe, efficient, and maintainable electrical installations in all engineering applications. IEC 61537 and IEC 60364 require evaluating tray dimensions based on



Cable Tray Fill Calculator & Formula Online Calculator Ultra

The Cable Tray Fill Calculator helps in determining the percentage of space occupied by cables within a cable tray, which is essential for ensuring safety, efficient cable management, and



Free Cable Tray Fill Calculator , NEC & IEC Compliant Sizing , Shielden

Easily calculate cable tray fill ratios with our free tool. Supports mixed cable sizes, NEC 40% rules, and metric/imperial units. Download your PDF report instantly.



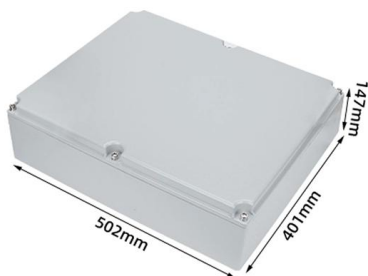
Cable Tray Fill Calculator

The Cable Tray Fill Calculator calculates allowable fill percentage and maximum numbers of cables, considering tray dimensions, cable sizes, spacing, and standards.



Cable Tray Fill Calculator Online

The Cable Tray Fill Calculator is a valuable tool used in electrical engineering and construction to determine the percentage of a cable tray that is



Cable Tray Technical Guide A practical guide to product selection and

SOLID-BOTTOM CABLE TRAY Providing additional cable protection, solid-bottom cable tray is sometimes preferred to support and protect numerous small instrumentation and control cables.



Cable Tray Capacity Calculator

Cable tray capacity refers to the maximum number of cables that can be installed in a cable tray without exceeding a specified fill ratio. The fill ratio is



Cable Tray Fill Calculator , NEC 40% Rule , CalcShed

This calculator uses cable sizes and tray dimensions to produce a planning estimate of fill. Different tray types and standards use different calculation methods, so treat the result as a starting point and

Cable Tray Sizing and Fill Capacity Calculator

Calculate cable tray sizing and fill capacity based on tray dimensions, cable diameter, number of cables, and maximum fill percentage per electrical code.



Cable Tray Sizing Calculator , IEC 61537 & NEC 392 Guide

A cable tray calculator is a design tool that helps you figure out the right tray width and make sure that the planned number of cables fits within the allowable fill limitations.



Cable Tray Sizing

Incorrect cable tray sizing and quantity assessment can lead to overcrowded trays, overheating, and cable damage. During the planning phase, always assess the number and size of



Cable Tray Load Calculation and Sizing: Your Easy Guide

Worried about cable tray capacity? Learn simple cable tray load calculation steps. This guide helps you pick the right tray every time, keeping

Contact Us

For datasheets, pricing, or custom high-speed optical interconnect solutions, please visit:
<https://www.syropy.com.pl>