

Price quote for 2-core optical fiber cable for long-distance transmission





Price quote for 2-core optical fiber cable for long-distance transmission

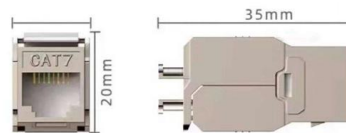


Fiber Optic Cable Price in 2026: Real Market Data for March

This article summarizes the latest fiber optic price data as of March 9, 2026, along with the recent timeline of price changes and the factors behind the surge.

Fiber Optic Cable Pricing Guide: Factors That Affect Cost

This guide outlines the major factors that influence fiber optic cable costs and provides practical tips for estimating pricing in bulk or project-based scenarios.



How Much Do Fiber Optic Cables Really Cost?

Explore the factors influencing fiber optic cable pricing, including cable types, installation methods, and market trends. Make informed decisions with

Fiber Optics Fundamentals: Construction, Transmission,

Explore fiber optic cable design, transmission principles, and performance optimization techniques. Ideal for engineers designing high-reliability



Fiber Optic Cables: Speed, Standards, and More

There are several different types of fiber optic cables, specified by rigorous standards, each with its advantages from speed to bandwidth to distance. This



Fiber Optic Cable Buying Guide , Eaton

Fiber Optic Cable Buying Guide Choosing single-mode or multimode fiber for high-performance data networking and telecommunications Fast data transmission,



Optical Fiber , Optical Fiber Products , Corning

Optical fiber broadband brings together a culture of innovation, quality, and manufacturing excellence to create life-changing products.



Fiber Optic Cable Distance: A



Comprehensive Guide

How far is single mode fiber distance? Optical Transmission of Single-mode Fiber SMF, short for single-mode fiber, usually consists of a fiber

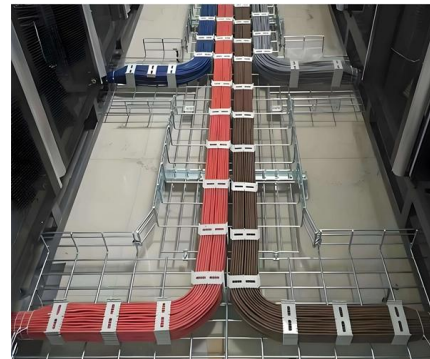


2 Core Fiber Optical Cable, Armoured

2 Pair Efficient Transmission Setup: Contains two pairs (4 cores) of optical fibers, suitable for duplex communication and small to medium-scale networking

World's first space division multiplexing long-distance

By mounting and connecting 12-coupled-core multicore fibers with the same diameter as existing optical fibers suitable for mass production to



Latest OPGW Cable Price List

Higher fiber counts allow for greater data transmission capacity, which can significantly increase the cable's price. For instance, a 24-core OPGW cable





NEC and NTT successfully conduct first-of-its-kind long

NEC and NTT successfully conduct first-of-its-kind long-distance transmission experiment over 7,000km using 12-core optical fiber ~Progress

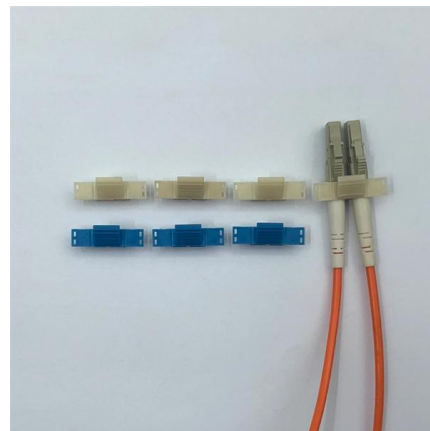


NEC and NTT successfully conduct transmission

NEC and NTT successfully conduct first-of-its-kind long-distance transmission experiment over 7,000km using 12-core optical fiber ~Progress

Bulk Fiber Optic Cables for Internet , CableWholesale

Fiber optic cables are one of the most popular types of long-distance networking cable, making them ideal for a variety of applications. CableWholesale is a fiber optic products supplier with a variety of



Wholesale fiber optic cable price and 4 way to save cost

Wholesale Fiber optic cable price can be vary from \$0.3 to \$4 per meter. It depends on the cable application and specification. Get a quick quote





Fiber Optic Cable Range: Comprehensive Guide

The maximum transmission distance varies significantly between fiber types, with single mode fiber offering substantially greater range than multi

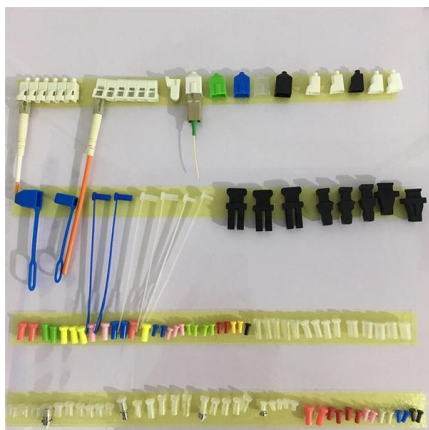


Fiber Optic Cable Pricing Guide: Factors That Affect

One of the most obvious price drivers is fiber count. A 2-core cable is much cheaper than a 24-core or 96-core cable. Similarly, different construction

Fiber Optic Cables , Cable Assemblies , DigiKey

Shop DigiKey's large in-stock selection of Fiber Optic Cables. View inventory, pricing and order now for same day shipping!



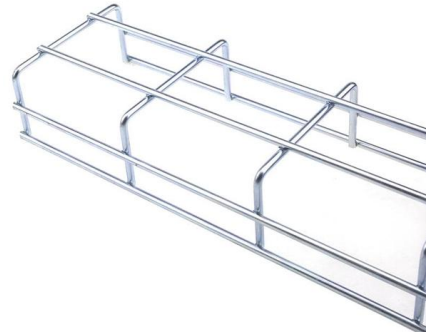
How Much is the Cost of Fiber Optic Cable?

Understanding the cost of fiber optic cables is crucial for businesses and individuals looking to invest in this technology. In this article, Fibconet will



Fiber Optic Cables , Browse Optical Fiber Cable Distributors

Order fiber optic cables at Octopart. Explore a variety of optical fiber cables designed for reliable data transmission. Download datasheets, compare pricing, and find a reliable distributor for fiber optic



How Much Does Fiber Optic Cable Cost? 2025 Factory

Searching for how much does fiber optic cable costs? Stop guessing. We break down 2025 prices for OS2, OM3, and Armored cables directly from the Wolontek

Fiber Optic Cable Types: Comprehensive Guide

Fiber optic cables fall into two main categories: single-mode fiber (SMF) and multimode fiber (MMF), each designed for specific transmission



2 Core Fiber Optic Cable Price

Discover 2 core fiber optic cable price deals with CE-certified, LSZH jacket cables for FTTH networks. Ideal for fiber optic internet cable applications.



Fiber Optic Cable Distance: A Comprehensive Guide

However, fiber optic cable performance over distance varies depending on factors such as cable type, installation quality, and signal

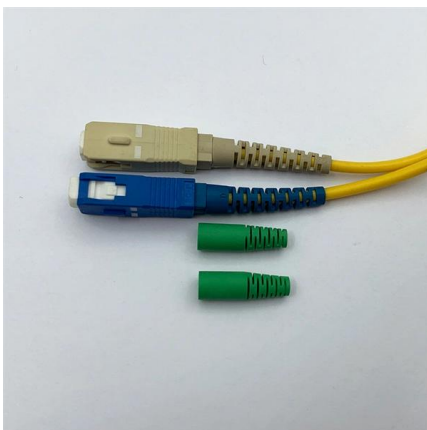


Fiber Optical Cable Manufacturer

We offer premium-quality 4 Core FRP Optical Fiber Cable, designed for reliable and high-performance data transmission. Manufactured with precision and durability,

Cost of Fiber Optic Cable: Pricing Guide (2026)

Discover the cost of fiber optic cable in this pricing guide. Learn material prices, installation factors, and what impacts total project costs overall.



Optical Cable Pricing: Comprehensive Guide to Cost-Effective Fiber

Explore competitive optical cable pricing options, featuring detailed cost analysis, performance benefits, and long-term value propositions for modern networking infrastructure.



Fiber Optic Cable Cost Guide 2026 - LatestCost - Real-Time Price

Main cost drivers include cable grade (indoor vs outdoor, armoured), distance, and labor for trenching, splicing, and termination. This guide presents ranges in USD and practical price



2 Core FTTH Optical Fiber Cable

It's the ultimate solution for businesses seeking reliable data connectivity, and its competitive fiber optic cable price makes it an attractive choice for budget

Contact Us

For datasheets, pricing, or custom high-speed optical interconnect solutions, please visit:
<https://www.syropy.com.pl>