

Price per unit of Dominic 6-core optical fiber cable for smart buildings





Price per unit of Dominic 6-core optical fiber cable for smart building



BELDEN BAGU12QA006FBK, 6 CORE SINGLE MODE

Largest Distributor of Belden Optical Fiber Cable:
6 Core Single-Mode Uni-Tube Optical Fiber 6F
125/250 um Armoured Cable, PE Sheathed.

How Much Does Fiber Optic Cable Cost? 2025 Factory

Searching for how much does fiber optic cable costs? Stop guessing. We break down 2025 prices for OS2, OM3, and Armoured cables directly from the Wolontek



D-Link 6 Core Single Mode Armoured OFC Cable

Amazon : Buy D-Link 6 Core Single Mode Armoured Ofc Cable (Multicolour) online at low price in India on Amazon . Check out D-Link 6 Core Single Mode

Fiber Optical Cable Manufacturer

Manufacturer of Fiber Optical Cable Manufacturer
- 2,4,6,12 Core Steel Fiber Optical Cables, FTTH
Drop Cable, 6 Core Unarmoured Fiber Optic
Cable and M-Core



How Much is the Cost of Fiber Optic Cable?

In this article, Fibconet will explore the factors influencing the cost, the average price range, installation costs, and tips for saving money when



6 Core Optical Fiber Cable

We take pride in presenting our comprehensive range of 6 Core FTTH Single-Mode Optical Fiber Cables. These cables are crafted with precision, using top-quality



Wholesale 6 Core Fiber Optic Cable 2k+ , Alibaba

Shop 6 core fiber optic cables from reliable suppliers. Find durable, high-quality options for indoor and outdoor use. Perfect for FTTH and telecommunication.



6 Core D-Link Optical Fiber Cable, Armoured, 1 Km

Data Tel Networks - Offering 6 Core D-Link Optical Fiber Cable, Armoured, 1 Km at INR 23/meter in Hyderabad, Telangana. Also find Armoured



Fiber Optic Cable Price in Bangladesh 2026

Fiber cable price in Bangladesh generally varies depending on the brand, number of cores, frequency, light transfer method, cable type, and data transmission rate,



6 Core Optical Fiber Cable

6 Core FTTH Single Mode Optical Fiber Cable - Round OD 5.8 mm + FRP + Yarn Our 6 Core FTTH Single Mode Optical Fiber Cables are designed to meet the



Unicore Digital 6 Core Optical Fiber Cable Price in BD

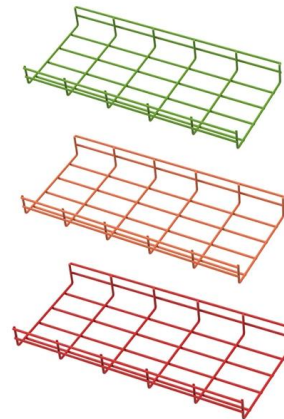
Features of Unicore Digital 6 Core Network Cable In Bangladesh Brand - Unicore Digital, Model - Unicore Digital 6 Core, Type - Network Cable, Length - 1000





Fiber Optic Cable Cost Guide 2026 - LatestCost - Real-Time Price

Main cost drivers include cable grade (indoor vs outdoor, armoured), distance, and labor for trenching, splicing, and termination. This guide presents ranges in USD and practical price

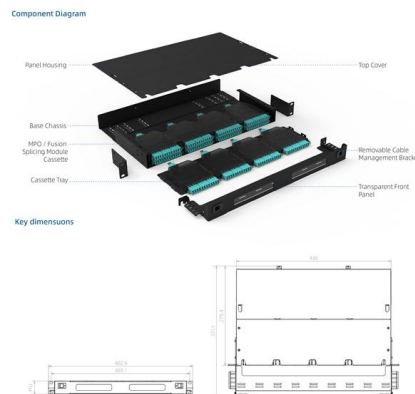


6 Core Fiber Optic Cable Latest Price, Manufacturers

Find here 6 Core Fiber Optic Cable manufacturers, suppliers & exporters in India. Get contact details & address of companies manufacturing and supplying

MarketsandMarkets

Revenue Impact Firm - MarketsandMarkets offers market research reports and quantified B2B research on 30000 high growth emerging opportunities to over 10000 clients worldwide. Get detailed insights



Fiber Optic Cable Price in Bangladesh

Get Best Price and Quotations for Fiber Optic Cable in Bangladesh from verified vendors. 2,4,6,12,48 core Fiber Optic Network Cable. Original Product





Fiber Optic Cable Pricing Guide: Factors That Affect

This guide outlines the major factors that influence fiber optic cable costs and provides practical tips for estimating pricing in bulk or project-based



Network Cabinet & Rack

Finolex Optical Fiber Cable

Find here Finolex Optical Fiber Cable dealers, retailers, stores & distributors. Get latest prices, models & wholesale prices for buying

High-Speed Optical Fiber Price in Bangladesh , Computer Village

Check out Updated optical fiber price in BD 2026 from ₹17-₹30 per meter at Computer Village. Buy now high-speed fiber optic cables with warranty.



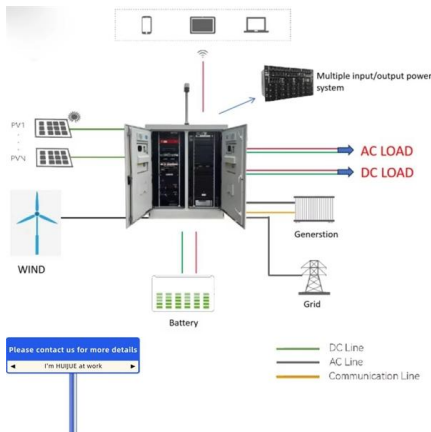
Armoured Fiber Optic Cable

Find here Armoured Fiber Optic Cable, 4 Core Armoured Fiber Optic manufacturers, suppliers & exporters in India. Get contact details & address of



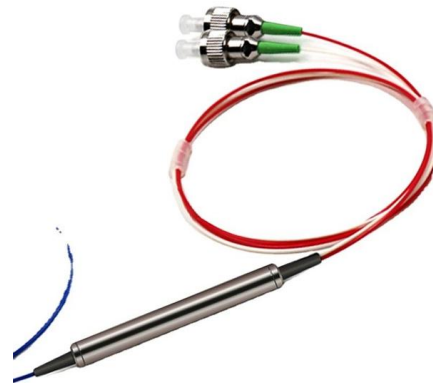
How Much Does It Cost to Run Fiber Optic Cable per

Direct burial: \$1-\$6 per linear foot (simple installations only) Prices can range from \$1 to \$50+ per linear foot depending on the method and



Fiber Optical Cable 20 meter 6mm Single mode Six

Six Fiber Core 20 Meter Long Cable Single Mode Compatibility Specially designed for reliable, long-distance, Ethernet connectivity between switches, servers,



D-Link Armoured Optic Fiber Cables 6 12 24

D-Link Armoured Optic Fiber Cables 6 12 24 Providing you the best range of d-link optic fiber cables 6 core with effective & timely delivery.



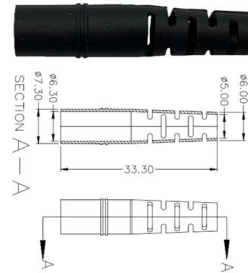
6 Fiber Fiber Optic Cables - Mouser

6 Fiber Fiber Optic Cables are available at Mouser Electronics. Mouser offers inventory, pricing, & datasheets for 6 Fiber Fiber Optic Cables.



6 Core D-Link Optic Fiber Cable, Armoured, 5 Km

Spot India Company - Offering 6 Core D-Link Optic Fiber Cable, Armoured, 5 Km at INR 28/meter in Mumbai, Maharashtra. Get Armoured Fiber



How Much Does Fiber Optic Cable Cost?

Whether you are looking to install fiber optics at home, in a commercial building, or across towns--you need to estimate and compare the overall price

6 Core Fiber Optic Cable Price and Specification Guide

Compare 6 core fiber optic cable price by single mode or multimode fiber, jacket, armor, tensile strength, packing length, and testing.



Cost of Fiber Optic Cable: Pricing Guide (2026)

Discover the cost of fiber optic cable in this pricing guide. Learn material prices, installation factors, and what impacts total project costs overall.



Fiber Optic Cable Pricing Guide: Factors That Affect Cost

This guide outlines the major factors that influence fiber optic cable costs and provides practical tips for estimating pricing in bulk or project-based scenarios.



12 core multi mode fiber optic cable

Discover our 12-core multi-mode fiber optic cable, ideal for wholesale buyers. Available at an average price around \$60.66, order as few as 1 unit. Perfect for indoor and outdoor applications, this GJFV

Fiber Optic Cable Pricing Guide: Factors That Affect

Fiber optic cables are essential components in today's broadband, FTTx, and data center networks. Whether you're planning a national fiber rollout



Contact Us

For datasheets, pricing, or custom high-speed optical interconnect solutions, please visit:
<https://www.syropy.com.pl>