

Price of upgraded optical circulator used in Uruguay s FTTR





Overview

An optical circulator is a three- or four-port designed such that entering any port exits from the next.



Price of upgraded optical circulator used in Uruguay s FTTR

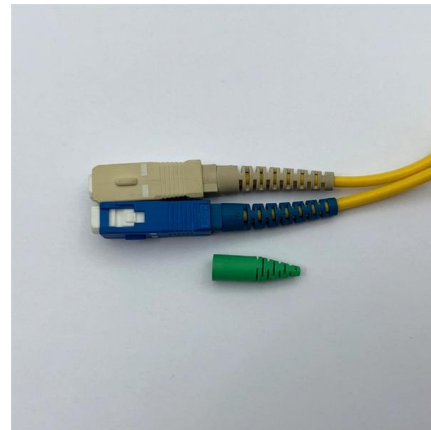
Global Optical Circulator Market Size, Share, Growth Trends



The optical circulator market is experiencing a robust growth trajectory, driven by the escalating demand for high-capacity optical networks and the technological advancements in photonic integration.

WHAT IS OPTICAL CIRCULATOR AND ITS

An optical circulator is a crucial multi-port (minimum three ports) nonreciprocal passive component in optical communication systems. Similar in



Optical Circulator Market Size, Share [2026-2035] , Trend Report

The high cost of the complex optical circulators, as well as the complexity of manufacturing the optical circulators is a major challenge the market must overcome with their adoption.



Fiber Optic Circulator Imports , fiber optic circulator import price

Information and reports on Fiber Optic Circulator Imports along with detailed shipment data, import price, export price, monthly trends, major exporting countries countries, major importing countries and

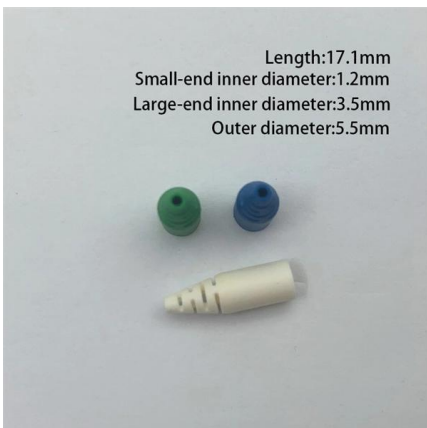


Optical circulator

An optical circulator is a three- or four-port optical device designed such that light entering any port exits from the next. This means that if light enters port 1 it is emitted from port 2, but if some of the emitted light is reflected back to the circulator, it does not come out of port 1 but instead exits from port 3. This is analogous to the operation of an electronic circulator. Fiber-optic circulators are used to separate optical signals

Optical Circulators and Their Applications

The 'optocirculator' commonly known as optical circulator is the circulator which is majorly used for optical communication. It is actually similar to



What is an Optical Circulator?

An Optical Circulator is a device used in optical communication systems to direct light signals in a specific, circular path. Here's a detailed explanation of what an Optical Circulator is:



What is Optical Circulator and its Applications?

Circulators are used as MUX/DEMUX devices, but are also used with the fiber Bragg grating in dispersion compensation, tunable optical Add/Drop, and other applications. Another application of



WHAT IS OPTICAL CIRCULATOR AND ITS APPLICATIONS?

The polarization-dependent circulators are only used in limited applications such as free-space communications between satellites, and optical sensing. polarization-independent optical

Optical Circulator Market 2025

Industry analysis suggests that nearly 30% of potential optical circulator applications could be addressed by these competing solutions, particularly in emerging software-defined optical networks.



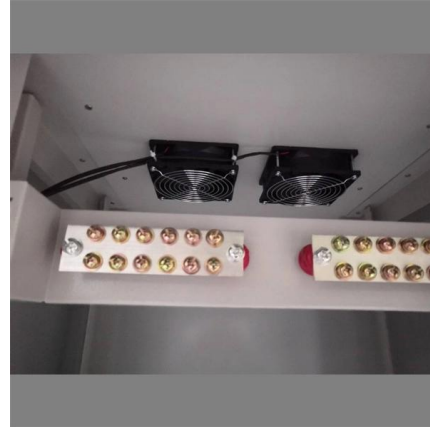
Optical Circulator & Fiber Optic Circulator

The through port is used for routing signals to another circulator or optical component. Optizone Technology develops and produces Fiber Optical Circulators in various package sizes and various



What is an optical circulator in fiber optics? What is it

What is an optical circulator used for? What are its applications? Fiber optic circulators are primarily used to keep the incoming light from source and



Optical Circulator Market 2025

The optical circulator market faces increasing competition from alternative technologies such as optical switches and reconfigurable optical add-drop multiplexers (ROADMs) that offer similar functionality in

Optical Circulator

One significant restraint in the Optical Circulator Market is the high manufacturing precision required for circulator modules and the significant share of cost attributable to rare-earth magnet



Optical Circulators , Enhanced Signal, Bandwidth

Understanding the role of optical circulators requires an exploration of their design, operational principles, and application in enhancing signal bandwidth



Optical Circulator Market Size, Share , Growth Report, 2031

The Optical Circulator Market Report offers a detailed examination of both established and emerging players within the market. It presents extensive lists of prominent companies categorized by the



Uruguay Optical Trocars Market Size, Production, Price, Market Share

The Uruguay Optical Trocars market currently holds an estimated valuation of USD 12.8 million, projected to reach USD 20 million by 2030, driven by the increasing number of minimally invasive

What is an Optical Circulator and How Does it Work

An optical circulator is a non-reciprocal device that directs light sequentially through ports, enabling bidirectional transmission over a single fiber.



Optical Circulator Market 2024

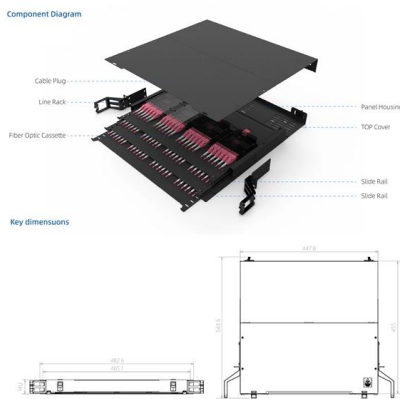
Commonly used in fiber-optic communication systems, sensors, and laser applications, optical circulators help in efficient signal routing and minimize loss or distortion in optical networks. Non

What Is An Optical Circulator And Why Is It



Critical in Modern Optics

The significance of optical circulators extends to various applications, including fiber-optic communications, laser systems, and optical signal processing. Understanding how these devices



Optical Circulator & Fiber Optic Circulator

With 17 years of experience, Optizon supplies high-quality optical circulators at competitive prices. Explore Fiber Optic Circulator & Get a Quote Today!

Fiber Optic Circulators Information

Fiber optic circulators are used to reduce the overall dispersion of light within a fiber optic system. In conjunction with a dispersion compensating module (DCM), fiber



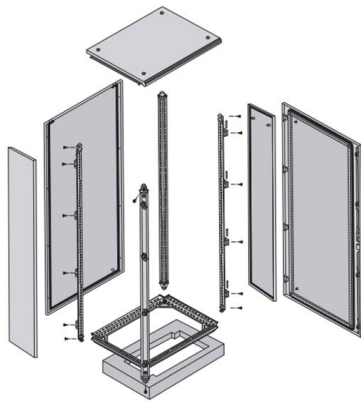
(PDF) Design And Development of A 6-Port Optical

Abstract and Figures A 6-port optical circulator using silicon photonic crystals has been designed and proposed in this paper as an essential



Optical Circulator

An optical circulator is another device that is based on the nonreciprocal polarization of an optical signal by Faraday effect. A basic optical circulator is a three-terminal device as illustrated in Figure 3.5.26,



Understanding Optical Circulators in Fiber Optic

An Optical Circulator is a non-reciprocal passive device used in fiber optic communication systems to control the direction of light propagation. Unlike

AC Photonics Inc

ACP's Multimode optical circulator utilizes proprietary designs and metal bonding micro optics packaging. It provides low insertion loss, broad band high isolation,



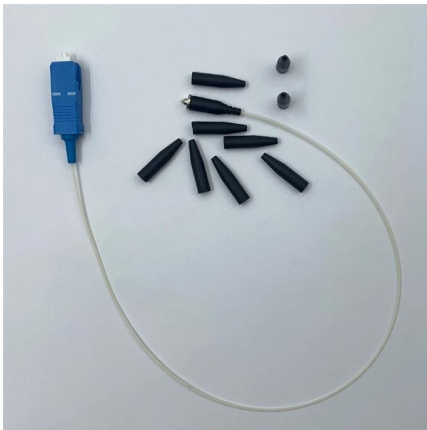
Circulators, oeMarket

Optical Fiber Circulator - 850nm This optical fiber circulator is specially designed for 850nm applications. The demand for 850nm fib

Optical Circulators



An optical circulator is a sophisticated photonic device used for routing optical signals in advanced communication systems. Engineered to enhance data throughput, minimize signal loss,



Optical Circulators , How it works, Application

Optical Amplifiers: In Erbium-Doped Fiber Amplifiers (EDFAs), Optical Circulators can help direct pump light and signal light effectively. Despite their

Optical Circulator Market Report , Global Forecast From 2025 To 2033

Optical Circulator Market Outlook The global optical circulator market size is expected to witness a remarkable growth trajectory. In 2023, the market was valued at approximately USD 1.2 billion, and it



Contact Us

For datasheets, pricing, or custom high-speed optical interconnect solutions, please visit:
<https://www.syropy.com.pl>