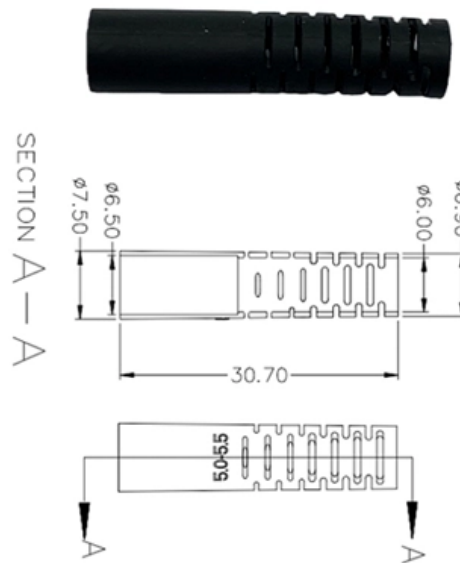




Price of fire-resistant cable trays in Zambia





Price of fire-resistant cable trays in Zambia



Cable Trays In Zambia

We, one of the well-known Cable Trays Manufacturers in Zambia, offer top-notch trays that keep your electrical system organized and protected. Our durable, high-quality trays come in various sizes and



Trunking and Cable Tray Protection

Fire-resistant trunking and cable trays are specifically engineered to withstand high temperatures and prevent the spread of flames. These products are made from

Perforated Cable Tray In Zambia

Our perforated cable trays are manufactured from high-quality steel, ensuring long-lasting performance and resistance to corrosion. We, the best Perforated Cable Trays Manufacturer and Supplier in



Industrial Fire Proof Cable Trays

Shop high-quality fire proof cable trays for industrial and commercial use. Durable, powder-coated, and perforated for optimal ventilation and safety.



Cable Tray In Zambia

We offer Cable Tray in Zambia in different specifications at competitive market prices. Our range is customized and passes stringent quality tests, before



Fire Rated Cable Tray, Heavy-Duty Cable Tray Manufacturer

Fire Rated Cable Trays that are crafted from premium materials like stainless steel, galvanized steel, tempered glass, and fire-resistant polyester fiberglass. Each tray is coated with a specialized fire



Fire Resistance Testing of Cable Trays: Key Standards

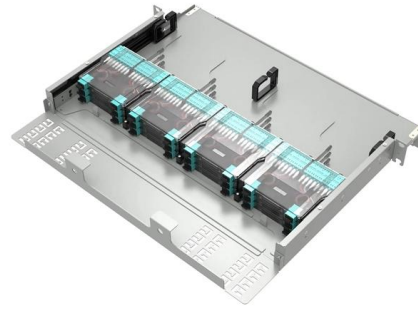
Fire Resistance Testing of Cable Trays ensures they don't fuel fires or emit toxic smoke. Learn key standards, testing methods, and safety tips.





Fireproof Cable Trays Acceptance: Standards for Safety

Fireproof cable trays play a crucial role in modern electrical systems. They provide robust support for cables while ensuring fire safety in extreme

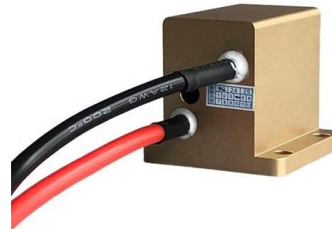


Cable Tray Manufacturers in Zambia, Hose Clamps, Crimping Tools

Our products are available at industry-leading prices that give customers value for money. We have the best machinery equipped at our facility to design products, as per industry standards.

FIRE RESISTANT PROOF CABLE TRAY, DIN STANDARD E90

Cablofil fire resistant and fire proof cable trays are increasingly specified in the construction, power, oil, gas, petrochem, rail and utilities industries. Cablofil cable tray has been successfully tested and



Fire Resistant Protection Zambia

Durocast fire resistant solutions protect Zambian industries. Tested, durable products ensure safety for equipment, structures, and staff.



Cable Trays and Fire Protection Systems: Keeping

Learn how Cable Trays and Fire Protection Systems work together. They protect cables and help fire alarms, sprinklers, and emergency systems

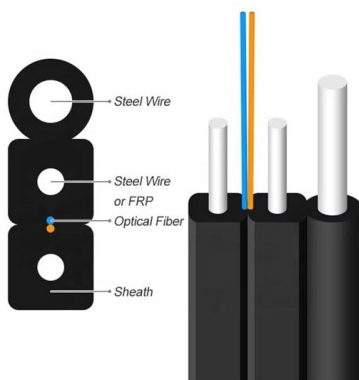


Fire Rated Cable Tray, Heavy-Duty Cable Tray Manufacturer

Boost your electrical needs with our Fire Rated Cable Trays that are tested for fire resistance under real-world conditions. Designed to perform even with cables installed and connected.

Zambia contractors Network , **PERFORATED CABLE TRAYS

? MONDAY BUILDING DEALS ARE HERE! ? Upgrade your roofing with PREMIUM QUALITY IBR ROOFING SHEETS ? All Colors Available Full Lengths & Custom Sizes Matching



How Does Fire Protection for Cable Trays Contribute to

Learn how fire protection for cable trays enhances industrial safety by preventing fire hazards in critical areas and protecting infrastructure.



Fire-resistant cable tray

Find out all of the information about the NIEDAX product: fire-resistant cable tray . Contact a supplier or the parent company directly to get a quote or to find out a



Cable Trays

A cable tray is an integral part of any electrical system, offering a reliable and efficient way to manage cables. Whether you're working on a new project or



Instrument FireMaster® fire protection cable tray

30 minutes hydrocarbon fire protection to cable trays carrying control cable wiring. The FireMaster® cable tray wrap consists of FireMaster® Marine Plus blanket fully encapsulated in aluminium foil

50KW modular power converter



- Flexible Configuration**
 - Modular Design, Capable to be Reconfigured
 - Small/Mid/Large, Wall Mounted
 - Installed in Parallel for Expansion
- Powerful Function**
 - Support PV/WT
 - Grid Support, Equipped with SVG Technology
 - On-Grid and Off-Grid Operation
- Reliable Protection**
 - Custom IP20 Design
 - Sufficient Protection Functions Equipped



Electrical Engineers of Zambia , **PERFORATED CABLE TRAYS

Electrical Engineers of Zambia Kiara Silva?Feb 5, 2023?? ? PERFORATED CABLE TRAYS & ACCESSORIES ? sales@cablemanagements ? +94 71 6 348 348 ?+94 11 2 50 50



ZambiaPrice -- Compare Product Prices in Zambia

Find the best prices for smartphones, laptops, building materials, vehicles, and more across Zambian retailers.

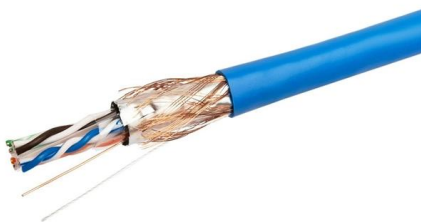


vocab.txt · huggingworld/all-MiniLM-L6-v2 at main

We're on a journey to advance and democratize artificial intelligence through open source and open science.

FIRECOM LIMITED

Our mission is to provide cost-effective solutions to complex fire safety challenges through the use of advanced fire protection technology. Assistance in developing



Cable Trays Prices in Nairobi, Kenya , Pmz Limited

Buy Cable Trays at the Best Prices from Pmz limited, your trusted and reliable shop in Nairobi, Kenya. Explore the Latest Pricelist in Kenya.



Fire Resistant Cable Trays

Discover high-quality fire resistant cable trays for safe and efficient fiber cable organization. Perfect for public buildings and electrical systems.



GRP Cable Tray & Cable Ladders , EAE Electric

Electrical Insulation: GRP cable trays provide excellent electrical insulation. Chemical Resistance: They have superior resistance to chemical effects compared to metal

Zambia contractors Network , **PERFORATED CABLE TRAYS

? QUALITY IBR / IT4 ROOFING SHEETS AVAILABLE
? Strong, durable and perfect for all types of roofing! Profile: IBR / IT4 Thickness: 0.3mm, 0.4mm, 0.5mm Colors: Green, Red, Grey &



Cable Tray Manufacturers in Zambia, Hose Clamps, Crimping Tools

Started back in 1983, Cable House is a recognized name engaged in manufacturing and supplying wide range including Hose Clamps, Cable Ties, Crimping Tools, Cable Tray, Industrial Connectors and



Fire Rated Cable Tray

Cable tray designed to offer continuous support of cables Rated load of 12.5kg per metre over a 1.5m Span 1500mm Trapeze Support Spacing Complies with



Fire-resistant constructions

We offer fire-rated trays with a height of 60 mm, which meet the strictest standards and ensure reliable protection of your cable distributions against fire. Our products are characterized by easy installation,

Contact Us

For datasheets, pricing, or custom high-speed optical interconnect solutions, please visit:
<https://www.syropy.com.pl>