

# **Price of Waterproof Spectrometer in Malaysia**





## Price of Waterproof Spectrometer in Malaysia

---



### uv spectrophotometer Price & Promotion- Apr 2026 , BigGo Malaysia

Discover the best prices and detailed specifications for uv spectrophotometer, with a total of 83 products. Visit BigGo now to find the cheapest deals, stock recommendations, and historical prices all in one

### Spectrometer Scientific Equipment Kuala Lumpur (KL), Malaysia,

We offer fine quality laboratory solution for a reasonable price. Looking for reliable lab supplies? Our salesperson can assist you.



### 721Visible Spectrometer Wavelength 325-1050nm UV

Product specification Power supply voltage: AC220V/ AC110V Model:721 Wavelength range: 325 nm-1050 nm Wavelength accuracy:  $\pm 2$  nm Wavelength



### Spectrophotometer , Products , MaxLab Technology , MaxLab

Products - Spectrophotometer , Maxlab is a leading distributor of laboratory and scientific instruments in Malaysia, specializing in elemental analyzers. With 18 years of experience, we provide exceptional



### **Spectrophotometer In Malaysia , Spectrophotometer Manufacturers**

We stand amidst the trusted Spectrophotometer manufacturers in Malaysia, ensuring precision, durability, and performance. Our state-of-the-art manufacturing facilities are equipped with the latest



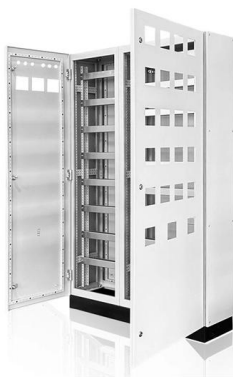
### **Spectrophotometer Selangor, Kuala Lumpur (KL), Sungai Buloh,**

ENVIROLAB SDN. BHD. - Spectrophotometer, ENVIROLAB SDN. BHD. is a company that supplies a wide range of high-quality laboratory equipment, consumables, chemical products, etc.



### **spectrometer Malaysia, Selangor, Kuala Lumpur (KL) Supplier,**

Our main office is located in Subang Jaya, Selangor, Malaysia.





### Spectrophotometer Supplier Malaysia Kuala Lumpur (KL), Malaysia

Redmark Industry Sdn Bhd - Spectrophotometer Supplier Malaysia Kuala Lumpur (KL), Malaysia, Selangor, Penang, Johor, WELCOME TO REDMARK INDUSTRY SDN BHD, YOUR QUALITY



### Malaysia Spectrometer Market , Size & Volume 2031

The Malaysia Spectrometer Market is projected to grow, driven by technological advancements and an increasing demand across various industries.

### Photometers Spectrophotometer Selangor, Malaysia,

Photometers Spectrophotometer, Founded in 1978, Hanna Instruments has rapidly grown to become the leading manufacturer of electro-analytical instruments in



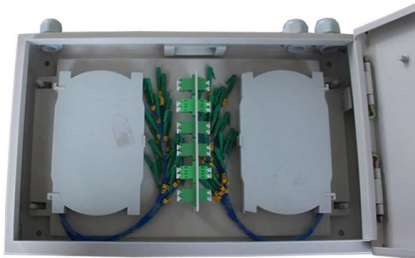
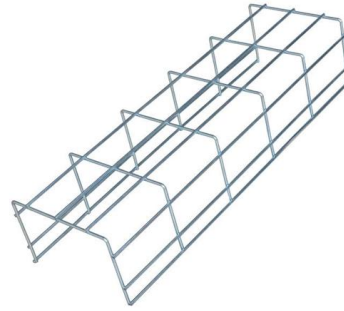
### Ftir Spectrometers Suppliers Serving Malaysia

Find the top ftir spectrometers suppliers & manufacturers serving Malaysia from a list including BFRL Group, Edinburgh Instruments - TECHCOMP Group & Ostec Corporate Group



## Spectrometers and Spectroscopy Products based in

Depending on what your requirements are, the spectrometer that you are looking for could vary. Some spectrometers such as LIBS and Raman Spectrometers are



## Malaysia's Spectrometers and Spectrophotometers Market Report

In 2023, the Malaysian spectrometers and spectrophotometers market decreased by -21% to \$19M, falling for the second consecutive year after two years of growth. Overall, consumption showed a

## Portable Spectrophotometer

Portable Spectrophotometer Incorporated in 31st March 2009 as a technology company in Malaysia. Offering wide and full range of radiometry, photometry,



## Molecular Spectroscopy

Thermo Scientific molecular spectroscopy solutions from near-infrared (NIR), Fourier Transform Infrared Spectroscopy (FTIR), and Nuclear magnetic resonance (NMR) to Raman deliver a full spectrum of



### Explorer XRF Series (Handheld Spectrometer)

Explorer XRF Spectrometer Series (Handheld Spectrometer) Description The explorer XRF spectrometer series features latest intelligent software, designed for

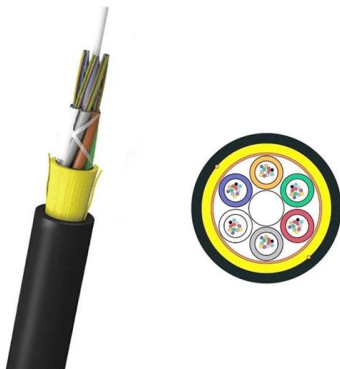
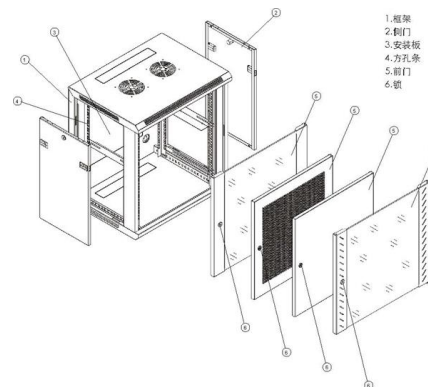


### Portable Spectrophotometer

Incorporated in 31st March 2009 as a technology company in Malaysia. Offering wide and full range of radiometry, photometry, color, appearance (gloss

### UV-Vis Spectrophotometer , Medical Consumable Malaysia , Life

Description The SpectraMax® QuickDrop(TM) Micro-Volume Spectrophotometer quantifies very small amounts of DNA, RNA, oligos, and proteins. The small footprint and touchscreen control allows for



### spectrometer Malaysia, Selangor, Kuala Lumpur (KL) Supplier,

Obsnap Instruments Sdn Bhd - spectrometer Malaysia, Selangor, Kuala Lumpur (KL) Supplier, Suppliers, Supply, Supplies, Obsnap Instruments Sdn Bhd was established in July 1997 as a

### Thermometers / Psychrometers /



## Hygrometers , Kumpulan Saintifik

Sale price: MYR287.00 "HACCP" DIGITAL THERMOMETER (WATERPROOF & SELF-CALIBRATING) WATERPROOF & SELF-CALIBRATING With Guaranteed Precision Certificate and instructions. In

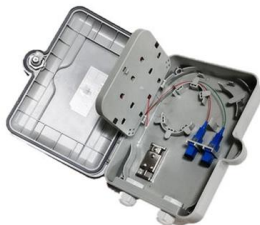


## Spectrometers , element14 Malaysia

Buy Spectrometers. element14 Malaysia offers fast quotes, same day dispatch, fast delivery, wide inventory, datasheets & technical support.

## Portable Spectrophotometers

If you need to measure color outside the laboratory, take the MiniScan EZ. Measure samples on the plant production floor, in storage areas, shipping departments or



## Raman Spectrometers in Malaysia , EastWest SVC

Raman Spectrometers are designed specifically for your scientific breakthroughs. EastWest SVC is your premier partner that distributes Raman Spectrometers.



## Fees and Charges , MJIIT Analytical Laboratory

Instrument Price List The exact amount fees and charges will be finalize during the usage. The displayed price only for reference purpose. Thanks!

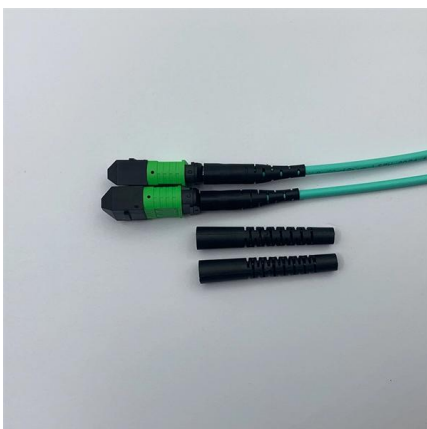


## Lab Science Solution Sdn Bhd

Lab Sciences Solution Sdn Bhd is a lab equipment supplier company. Our main office is located in Shah Alam, Selangor, Malaysia.

## spectrometer Price & Promotion-Mac 2026 , BigGo

Discover the best prices and detailed specifications for spectrometer, with a total of 356 products. Visit BigGo now to find the cheapest deals, stock



## DLAB Spectrophotometer

SPECTROPHOTOMETER, DLAB Our Spectrophotometer range is highly recommended for live display of ABS & %T, Quantitative analysis (Beer's Law),

**bitsnbytes .my**



Hier sollte eine Beschreibung angezeigt werden,  
diese Seite lässt dies jedoch nicht zu.



## Contact Us

---

For datasheets, pricing, or custom high-speed optical interconnect solutions,  
please visit:

<https://www.syropy.com.pl>