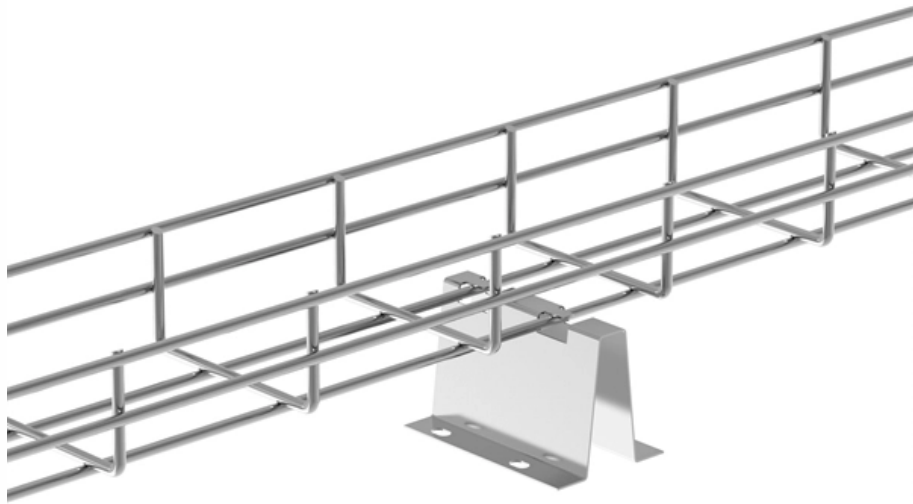




Syropy AI Connectivity

Price of Multimode Fiber Endface Inspection





Price of Multimode Fiber Endface Inspection

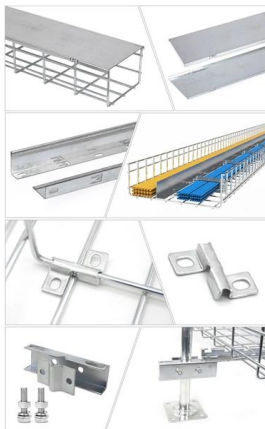


FI-500 FiberInspector(TM) Micro Fiber Optic Scope Camera

Dirty fiber optic end faces are the major cause of problems in single-mode and multimode fiber optic systems. The FI-500 FiberInspector(TM) Micro fiber optic

Optical End Face Inspection Guidelines

The Glenair beginning of Life visual inspection criteria at 200x magnification for Multimode and Singlemode optical fiber end face are described in Table 2 & 3 respectively.



NEOFIBO MT-PRO High-Precision 3D Inspection For

NEOFIBO MT-PRO High-Precision 3D Inspection For MPO/MTP, 5G And Data Center Single/Multi Channel Integrated Multi-Core Fiber End-Face Interferometer,

China Fiber Optic Cable Manufacturer , Direct Factory Price & OEM

Precision Manufacturing & QC: Fabricate fiber optic cable patch cords and trunk cables per agreed specifications, with incoming material inspection, in-process monitoring and environmental, tensile



Fiber Optic Color Code Explained: Jacket, Connector

Understand fiber optic color codes with this complete guide. Learn about jacket colors, buffer color standards, connector IDs, and practical visuals.



FIP-500

Industry's first AI-driven endface analysis for simplex, duplex and multi-fiber connectors. Delivers reliable and repeatable results with a self-contained, fully



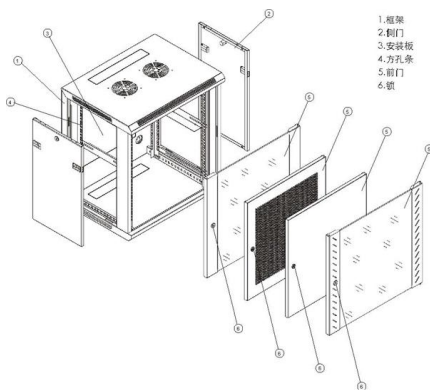
AutoCheck Intelligent Integrated Fiber End-face Visual

AutoCheck is the first intelligent integrated fiber end-face inspector developed by Dimension Technology. With the advantages of Dimension image analysis



Fiber inspection , Fiber equipment

FIP-500 - Fiber inspection scope Industry's first AI-driven endface analysis for simplex, duplex and multi-fiber connectors. Delivers reliable and repeatable results with a self-contained, fully automated tool



Fluke Networks FI-500 FiberInspector Micro-Fiber Optic

With the built-in PortBright flashlight in the Fluke Networks FI-500, it removes the hassle associated with inspecting fiber endfaces, especially in low light and high

High Density 12 Cores OM5 Multimode MPO Fiber Optic Cable with

This MPO fiber optic cable features MPO Male to MPO Female connectors and utilizes Multimode 50/125 100GB OM5 fiber. The model is a 12 fiber MPO cable with Type B (Key up, Key Up) polarity



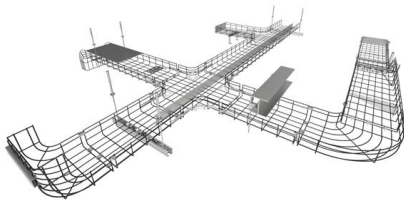
Optical Fiber Termination Types Chart: SC, LC, FC, ST Comparison

This optical fiber termination type is commonly associated with older multimode plants, but the build methods are fundamentally the same. Epoxy and polish ST connectors bond the fiber into

Visual Inspection and Cleaning of Multimode and Single Mode



1.0 Introduction This document outlines the Panduit recommended procedures for visual inspection and cleaning of multimode and singlemode structured cabling system interconnect components



Cable Assemblies with ClearCurve Multimode Fiber: End-Face

This Applications Engineering Note (AE Note) discusses the methods available for visualizing connector end-faces that contain Corning® ClearCurve® OM3/OM4 multimode fiber (also referred to as "ultra

MultiFiber(TM) Pro Optical Power Meter and Fiber Test Kits

The Fluke MultiFiber(TM) Pro Optical Power Meter and Fiber Test Kit is the 1st MPO fiber tester with both single mode and multimode certification. Learn more.



Fast Check MT Fully Fiber Endface Inspector

In order to quickly improve the efficiency of the production fiber endface inspection, Dimension launched Fastcheck MT Fully Fiber Endface Inspector. For



Fiber Endface Inspection - connectors, bare fiber ends,

Various instruments are used for inspecting bare or connectorized fiber endfaces: fiber microscopes, videoscopes and interferometric analyzers.



AutoCheck Intelligent Integrated Fiber End-face Visual

AutoCheck uses customized criteria for fiber end-face inspection. The latest IEC standard is configured as the default criteria. The fiber end-face inspection is



NEOFIBO MT-PRO High-Precision 3D Inspection For

Precision-engineered fiber optic patch cord production line delivering high-performance, low-loss connectivity solutions with automated efficiency and



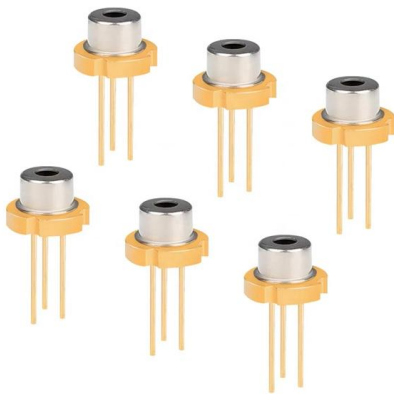
Fiber Endface Inspection - connectors, bare fiber ends,

Before mating a connector, always inspect the endface for cleanliness -- even if the fiber end is brand new. Always inspect a fiber endface again after cleaning or



Fiber inspection , Fiber equipment

Fiber inspection tools are essential to identify dirty or damaged connectors, which can lead to network failures. Inspect and clean quickly with our range of fiber inspection equipment.



White Paper: Fiber Contamination, Cleaning and Inspection

White Paper: Fiber Contamination, Cleaning and Inspection. Introduction. Despite industry best practice of inspecting and cleaning fiber optic endfaces, contaminated connections remain the number one

Easier Fiber End Face Inspections: Changes to IEC

The latest IEC 61300-3-35 update includes simplified criteria for fiber end face inspection that can save time and reduce unnecessary component



Sumix , Fiber inspection microscopes overview

High-end fiber microscope for detailed inspection of single fiber and multi-fiber ferrules and patch cords, such as SC, FC, ST, LC, MU, MT, MTP®/MPO, as well



ODVA Fiber Optic Connectors (DLC, SC, MPO) - Rugged Waterproof

ODVA fiber optic connectors, cable assemblies & adapters - IP67 waterproof for FTTA and harsh environments. Discover key features, specs, installation tips & FAQs.



Fiber Contamination, Cleaning, and Inspection: An

Even when users think they have properly cleaned the fiber, every connector endface -- whether field terminated or factory terminated -- should always be

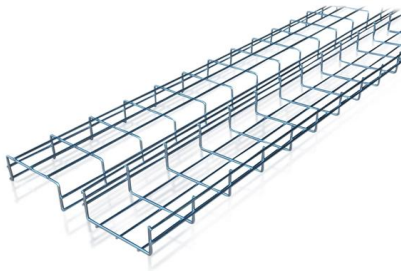
Endface Inspection-DIMENSION

Dimension can provide a full range of fiber end-face inspection and cleaning solutions to effectively improve product quality and reliability. Dimension is



Portable Fiber Endface Inspector

This portable inspector can check the end face of pigtail and patch cord, and also capable of inspecting the connector end face through adapter which is already





Contact Us

For datasheets, pricing, or custom high-speed optical interconnect solutions, please visit:

<https://www.syropy.com.pl>