

Price of Low-Temperature Resistant Outdoor Wiring Boxes for Data Centers in Malaysia

CAT 7 FTP JACK





Price of Low-Temperature Resistant Outdoor Wiring Boxes for Data



IP68 / IP67 SCREWED PLASTIC ENCLOSURES? WATERPROOF

IP68, IP67 and IP65 Waterproof plastic boxes with secure screw fixing construction. Suitable to be used as WiFi outdoor access points, outdoor IoT gateways, LoRaWAN devices, sensor boxes, controllers,

Outdoor Telecommunication Enclosures

Damage-resistant and reliable outdoor enclosures are key for outdoor telecommunication applications from cell tower sites and fiber optic networks to



Outdoor Enclosures , NEMA-Rated Telecom Cabinets

Discover AZE's premium outdoor enclosures designed for superior weatherproof protection and NEMA-rated durability. Perfect for industrial equipment, electrical

Plastic Electrical Enclosures and Junction Boxes , Polycase

Discover Polycase's range of plastic electrical boxes, NEMA-rated enclosures, and custom enclosures designed for superior protection. Explore our products today!

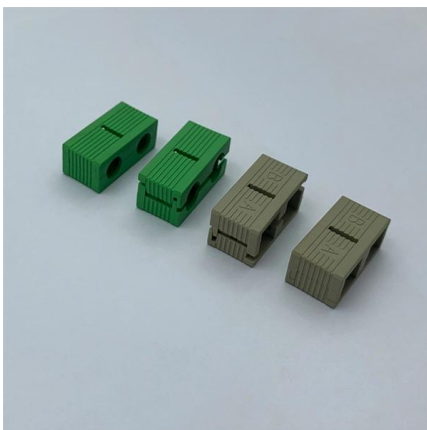


SUPPORTS DIN RAIL INSTALLATION



Outdoor Network Enclosures

Outdoor Network Enclosures - Weatherproof Features of Enclosures Gaskets: Insulating sheets placed between two conducting parts or components. Gaskets



Weatherproof Outdoor Electrical Enclosures , Durable

Outdoor Telecom Enclosure with HVAC, Secure Your IT OUTDOOR in harsh Environment AZE Telecom offers top-quality weatherproof outdoor electrical



Outdoor Weatherproof Boxes , Weatherproof NEMA Enclosures

Our weatherproof outdoor enclosures are purpose-built to protect Wi-Fi access points, wireless bridges, PoE switches, power supplies, and industrial electronics installed in harsh outdoor environments.



Weatherproof NEMA Enclosures , NEMA Boxes in

NEMA enclosure boxes are weatherproof for tough indoor or outdoor electrical applications. Shop NEMA-rated plastic and metal enclosures at Polycase!



Enclosure for Extreme Temperature Conditions ·

We design and manufacture electrical cabinets for areas with extreme temperature conditions, both in high and in low temperature.

Outdoor Enclosures , NEMA Rated & Weatherproof

Shop a variety of outdoor enclosures & boxes at Polycase that are NEMA rated and weatherproof, specifically made for outside applications. UL & cUL Listed!



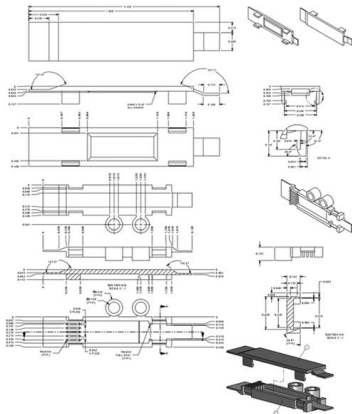
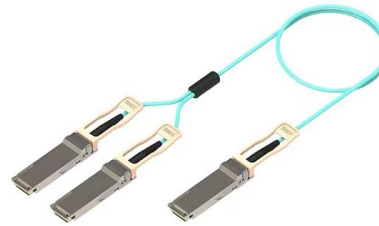
Amazon : Waterproof Boxes For Electronics

Explore a selection of weatherproof boxes designed for indoor and outdoor electronics projects. Find durable, customizable options to keep your devices secure.



Outdoor Weatherproof Boxes , Weatherproof NEMA Enclosures

Outdoor networking equipment needs more than a plastic box -- it needs real environmental protection. Our weatherproof outdoor enclosures are purpose-built to protect Wi-Fi access points, wireless

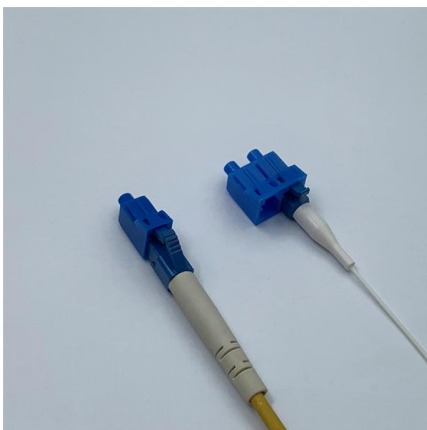
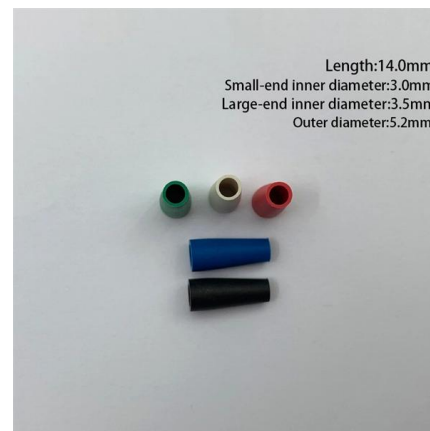


Outdoor Router Enclosure: For AP, Switch, Board

These boxes provide robust, secure, and well-sealed housing for computer and wireless networking hardware including servers, routers, modems, switches,

Outdoor & Waterproof Junction Boxes , Plastic & Metal

Protect your wiring with our durable junction boxes. Choose from waterproof outdoor electrical boxes. Plastic and metal options for secure connections.



Akwscyby Outdoor Electrical Box with Thermostat and Fan

Akwscyby Outdoor Electrical Box with Thermostat and Fan, Precise Temperature Control 0.1°F, IP65 Water Resistant Rating, Galvanized Steel (15.7" x 13" x 7.1") - Amazon About this item ?High



Best Waterproof Boxes for Outdoor Electronics and Power Outlets

Protect outdoor electronics, power strips, timers, and holiday lighting with rugged, weatherproof enclosures. This guide reviews five highly-rated options designed to resist rain, dust,

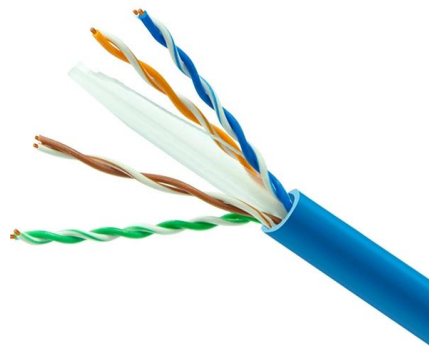


Outdoor Enclosures , NEMA-Rated Telecom Cabinets

Perfect for industrial equipment, electrical cabinets, and outdoor installations, our enclosures offer customizable solutions for renewable energy,

Heavy-Duty Metal Electrical Boxes for Indoor & Outdoor Use

Each electrical installation box in our range features heavy-duty metal construction with galvanized or stainless steel for strength and corrosion resistance. Waterproof junction boxes with integrated



Weatherproof Outdoor Enclosures by AZE , Durable,

Featuring corrosion-resistant materials, advanced thermal management, and customizable designs, these NEMA-rated enclosures are perfect for energy



Weatherproof Electrical Boxes for Outdoor Use , Lowe's

Check availability for durable weatherproof electrical boxes that protect wiring from moisture and debris in demanding outdoor and exterior installations.



American-style Simplex

Amazon : Outdoor Data Box

Outdoor Electrical Box with Thermostat and Fan, Precise Temperature Control 0.1°F, IP65 Water Resistant Rating, Galvanized Steel, Aluminum Rear Beam (17.7"x13.4"x9.0")

Industrial HVAC Telecom Enclosures , NEMA-Rated

Premium HVAC outdoor telecom enclosures with NEMA 4/4X ratings for extreme environments. Our temperature-controlled electrical cabinets feature

Pre-Terminated Patch Panel

- Multi-application support
- Flexible configuration
- Modular design



Multi-functional Sliding Patch Box, Modular



Modular Sliding Patch Box



Sliding Patch Box, Modular



NEMA Enclosures

Weatherproof Electrical Boxes , Outdoor Outlet

Shop weatherproof electrical boxes including outdoor outlet boxes and waterproof exterior solutions. Durable, versatile, and NEC-compliant options available!



Protect your critical electronics with Fibox's high-quality, UV-resistant polycarbonate enclosures. Engineered for durability and extended field life, our impact-resistant



IP65 Enclosures

IP65 Enclosures and Boxes IP65 rated enclosures provide indoor and outdoor protection for waterproof applications. Tested to IP65 standards ensures



Outdoor Electrical Enclosures Made in UK

Our outdoor electrical enclosures are designed for year-round protection in challenging environments. We offer IP66 weatherproof protection and corrosion-resistant stainless steel to keep your sensitive



Outdoor Electrical Boxes , Durable Exterior & Junction

Discover durable, weatherproof junction boxes at Polycase--ideal for electrical and industrial applications. Choose from a variety of sizes and materials for reliable





Contact Us

For datasheets, pricing, or custom high-speed optical interconnect solutions,
please visit:

<https://www.syropy.com.pl>