

Price Standards for Argentine Quality Distribution Boxes





Price Standards for Argentine Quality Distribution Boxes



Argentina Pallet Boxes Market (2025-2031) , Revenue & Share

Overall, government policies in Argentina play a significant role in shaping the dynamics of the pallet boxes market by promoting local production, sustainability, and quality standards.

Understanding Warehousing and Logistics Standards in

In summary, the regulatory framework governing warehousing in Argentina is multi-layered, comprising national laws, state regulations, and



How to choose high-quality industrial distribution boxes

In the industrial production process, distribution boxes are crucial equipment. In order to ensure the smooth progress of the production process and

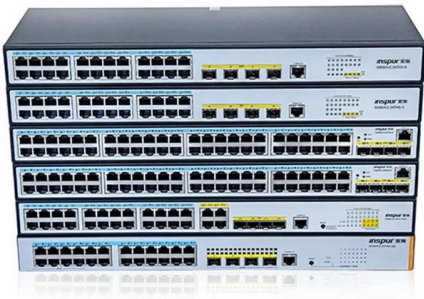
IRAM , Instituto Argentino de Normalización y Certificación

IRAM is the Argentine Institute of Standardization and Certification. A reference for improving competitiveness and sustainable development.



Argentina

Describes standards, identifies the national standards, accreditation bodies, and lists the national testing organization (s) and conformity assessment bodies.



10 Corrugated Carton Boxes Manufacturers & Suppliers

In 1998, the company introduced technology in Argentina that allowed them to create the only corrugated cardboard packaging line without minimum quantities: their



10 Corrugated Carton Boxes Manufacturers & Suppliers

10 Corrugated Carton Boxes Manufacturers & Suppliers in Argentina. If you are looking for Corrugated Carton Boxes Manufacturers & Suppliers in Argentina.





Argentina

On August 29, 2024, the Argentina Ministry of Economy issued Resolution No. 237/2024, approving the technical and procedural specifications of the general conformity assessment framework.

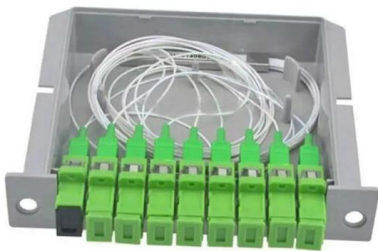


(PDF) The Negotiation of Quality Standards: Social Interactionist

These strategies assemble the freshfood market and construct a representation of quality as an aspect of trade in places where food exchanges are conducted. Using a social interactionist approach, we

Argentina

Argentina - Distribution and Sales Channels Discusses the distribution network within the country from how products enter to final destination, including reliability and condition of distribution mechanisms,



Global Supplier Packaging Standards & Requirements

4.4.4 All expendable containers must be filled to maximize container density of 95% to maintain cubic fill and packaging integrity during handling, as well as optimized cubic freight.



The Negotiation of Quality Standards: A Social Interactionist Approach

The Negotiation of Quality Standards: A Social Interactionist Approach to Fruit and Vegetable Distribution in Argentina Maria Laura Viteri and aLberto arce [Paper first received, 25 January 2012;



The Negotiation of Quality Standards: A Social Interactionist

The Negotiation of Quality Standards: A Social Interactionist Approach to Fruit and Vegetable Distribution in Argentina Maria Laura Viteri and aLberto arce [Paper first received, 25 January 2012;

(PDF) The Negotiation of Quality Standards: Social Interactionist

This article addresses food quality standards. It suggests that writing on standards creates a flat view of the subject, failing to grasp the richness of the multiple self-organizing practices that shape quality



Argentina: Packaging and standards

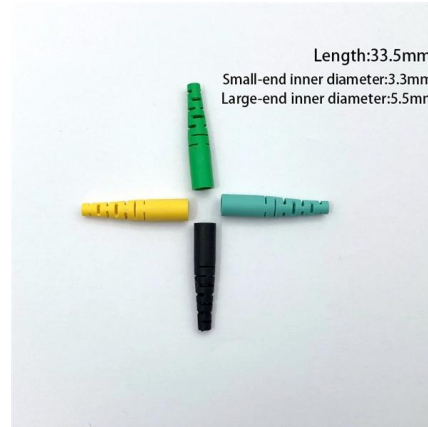
Regulations for packaging and labelling of products in Argentina: the measuring units, official languages and specific regulation. Contact the Argentinian certification and standardization organization.

Top 10 Best Paper Packaging Boxes



Manufacturers in

Top 10 Best Paper Packaging Boxes Manufacturers in Argentina. If you are looking for Paper Packaging Boxes Companies & Suppliers in Argentina. You can

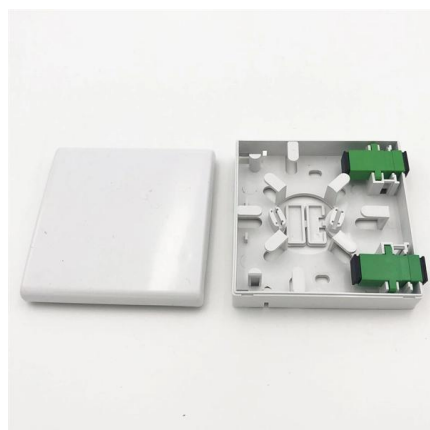


Report Name: Food and Agricultural Import Regulations and Standards

Report Highlights: This report is an overview and an update on regulations and standards for importing U.S. food and beverage products to Argentina. Post recommends U.S. suppliers interested in the

Industrial and commercial standards in Argentina

Find out about the national standards and certification bodies in Argentina. Consult the online catalogue of standards and their classification.



Argentina Food and Agricultural Import Regulations and Standards

Report Highlights: This report provides overall information on regulations and standards for importing U.S. food and beverages into Argentina. However, Post recommends U.S. suppliers



Argentina: Packaging and standards

Argentine people are receptive to standards being observed; the IRAM standard or the ISO 9000 and HACCP certifications are well known to consumers and firms and they are appreciated for their



Argentina Safety Requirements for Electrical Equipment , TÜV SÜD

Argentina issued Resolution No. 16/2025, setting quality and safety standards for electrical equipment sold in the country.



Australian Distribution Boxes: Key Features and How E

Learn about the unique features of distribution boxes in Australia and how E-abel meets local standards with SAA certification, advanced



Fiber Optic Distribution Boxes: How Confident Quality Is Achieved

For these distribution boxes to deliver consistent performance and reliability, manufacturing quality must be uncompromised. Here ' s a comprehensive insight into how high-quality fiber optic distribution



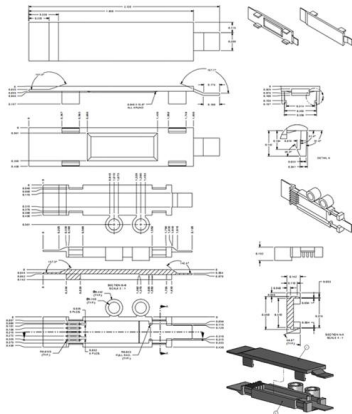


There are two types of traditional sales channels in Argentina. One is through large-scale retailers with a defined, but limited, share of the market. The other is through the many specialized



Labeling and Standards Regulations on Goods Manufactured in

In Argentina, goods manufactured for commercial sale must comply with mandatory labeling requirements set by the Argentine Food Code (Código Alimentario Argentino) and other applicable



Argentina

Argentina has over 35,000 km (21,000 mi.) of railroads, but quality and speed vary widely. In general, the rail network requires significant investment to bring it up to international standards of



Contact Us

For datasheets, pricing, or custom high-speed optical interconnect solutions, please visit:
<https://www.syropy.com.pl>