

Power supply for outdoor landscape of communication towers





Overview

An effective off-grid power system for telecom towers integrates several key technologies, working together to deliver consistent and clean energy. Connecting communities and enabling communication relies heavily on telecom infrastructure. These systems ensure a stable and uninterrupted power supply, which is critical for the operation of telecommunication networks. To ensure you get the best possible experience when visiting our websites, we use cookies. ☐ No grid connection needed ☐ Fast setup—no special tools ☐ Long-life lithium battery storage ☐ Built to handle extreme conditions ☐☐ What Is an Off-Grid Solar Power Box?

A self-contained solar generator.



Power supply for outdoor landscape of communication towers



(PDF) Selection of Best Power Supply Source for Telecom Towers in

Installation of telecom towers in remote areas especially in developing countries like India is a major problem for telecom industries because of the unavailability of reliable power supply. The grid supply

EFFICIENT POWER UTILIZATION IN COMMUNICATION TOWERS

Moreover, in communication towers, power is not only used for the signal transmission process but also running the cooling unit of generator and light indicator along with lightning arrestor. These cooling



Power Supply Solution for 5G Telecom and Outdoor Wireless Applications

New 5G networks bring new challenges for powering base stations. MPS has developed a powerful, efficient new power supply solution for 5G telecom applications using several innovative products.



Off-Grid Solar Power for Remote Telecom Towers , Anern

Discover comprehensive insights into powering telecom towers and remote base stations with off-grid solar and energy storage solutions. Explore



WORLD WIDE WEB JOURNAL Home

Internet communications tools Document preparation Computing industry Computing standards, RFCs and guidelines Computer crime Language types Security and privacy Computational complexity and

Power system considerations for cell tower applications

This white paper discusses the critical power system considerations for off-grid telecommunications cell towers, particularly in developing countries. With the



Telecom Energy Solution

Huawei telecom power products adapt easily to a variety of telecommunication networks. We also offer integrated power solutions for intelligent video



Solar Power Solutions for Cellular Towers

Sun-In-One(TM)'s Solar Power Solutions for Cellular Towers: off grid cell towers with a kit that runs microwave and communication towers.



A review of renewable energy based power supply options for telecom

In view of the above, the primary objective of this paper is to provide a comprehensive analysis of various renewable energy-based systems and the advantages they offer for powering

Off-Grid Solar Power Systems , Rural, Telecom & Emergency Solutions

Reliable off-grid solar power kits for Starlink, telecom towers & rural electrification. Plug & play, LiFePO4 batteries. Get a quote today.



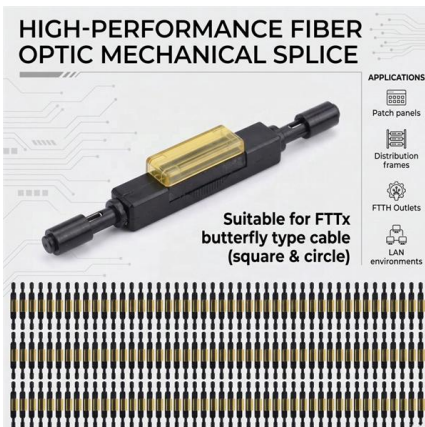
Telecom Tower Off-grid Power Solution

Telecom Tower Off-grid Power Solution: Harnessing Solar Energy for Connectivity In the dynamic landscape of telecommunications, ensuring



Telecom Energy Solution

We also offer integrated power solutions for intelligent video surveillance systems and solutions for site sharing of tower vendors. Our solutions simplify site



Telecom Tower Power Solutions: Revolutionizing the

Enhanced Reliability Solar power eliminates the risk of fuel shortages and generator malfunctions, providing a consistent and uninterrupted power supply. This

Selection of Best Power Supply Source for Telecom Towers in

Abstract Installation of telecom towers in remote areas especially in developing countries like India is a major problem for telecom industries because of the unavailability of reliable power supply. The grid



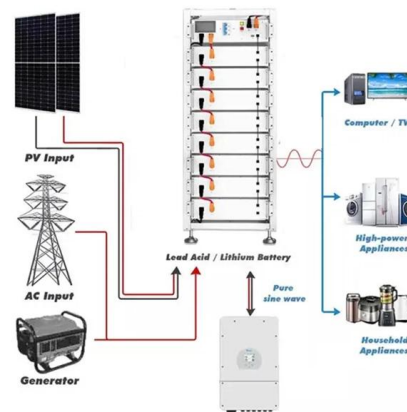
How to Choose a Generator for Cell Towers , BPS

The telecommunications market has revolutionized our ability to communicate, both in business and personally. Mobile devices are becoming our preferred method of communicating with each other.



Cell Phone Towers Use Standby Power Generators for

Keep cell service connected, even during outages. Explore how emergency generators provide crucial backup power for cell towers, ensuring



Application of Solar Power Systems in Communication towers

With continuous technological advancements and cost reductions, solar power supply systems will become one of the important solutions for communication tower power supply, providing strong

Amazon : Landscape Lighting Power Supply

Amazon : landscape lighting power supply Recycled Claim Standard (RCS Blended) certified products contain recycled content (>50%) that has been independently verified at each stage of the



What are the energy storage batteries for

In the context of communication towers, energy storage batteries play a pivotal role in ensuring uninterrupted service and reliability. 1. Energy storage



A review of renewable energy based power supply

In view of the above, the primary objective of this paper is to provide a comprehensive analysis of various renewable energy-based systems and the

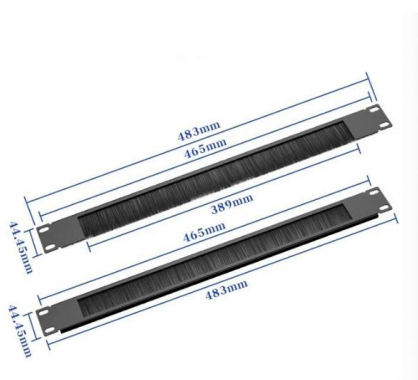


A review of renewable energy based power supply options for telecom towers

Moreover, information related to growth of the telecom industry, telecom tower configurations and power supply needs, con-ventional power supply options, and hybrid system combinations and their

A Beginner's Guide to Understanding Telecom Power

Telecom power supply systems are essential for ensuring uninterrupted communication, providing reliable energy to telecommunication



GLOBENGY SOLAR POWER TELECOM TOWER SYSTEM

Presuming, we suggest reliable 96 V D.C. power supplies for communication equipment to minimize the down time of the very vital communication link, which links various cellular telecom customers.



Solar-Powered Telecom Tower Systems: A Sustainable

Solar-powered telecom tower systems have emerged as a game-changer for providing reliable and sustainable communication infrastructure in



Telecom Tower Off-grid Power Solution

Telecom towers, often situated in remote or off-grid locations, face the challenge of reliable power supply. To address this, our integration of off-grid

Telecom outdoor systems , IPS

EXERON T Turn-key outdoor power solution for grid connected and off-grid applications
Maximized OPEX reduction and fast RoI View
More



Solar & LiFePO4 ESS for Remote Telecom Towers , Anern

Discover how solar power systems and LiFePO4 energy storage offer reliable, sustainable solutions for remote telecom towers. Reduce costs, enhance



Cell Phone Towers Use Standby Power Generators for Communications

Keep cell service connected, even during outages. Explore how emergency generators provide crucial backup power for cell towers, ensuring seamless communication.



Contact Us

For datasheets, pricing, or custom high-speed optical interconnect solutions, please visit:
<https://www.syropy.com.pl>