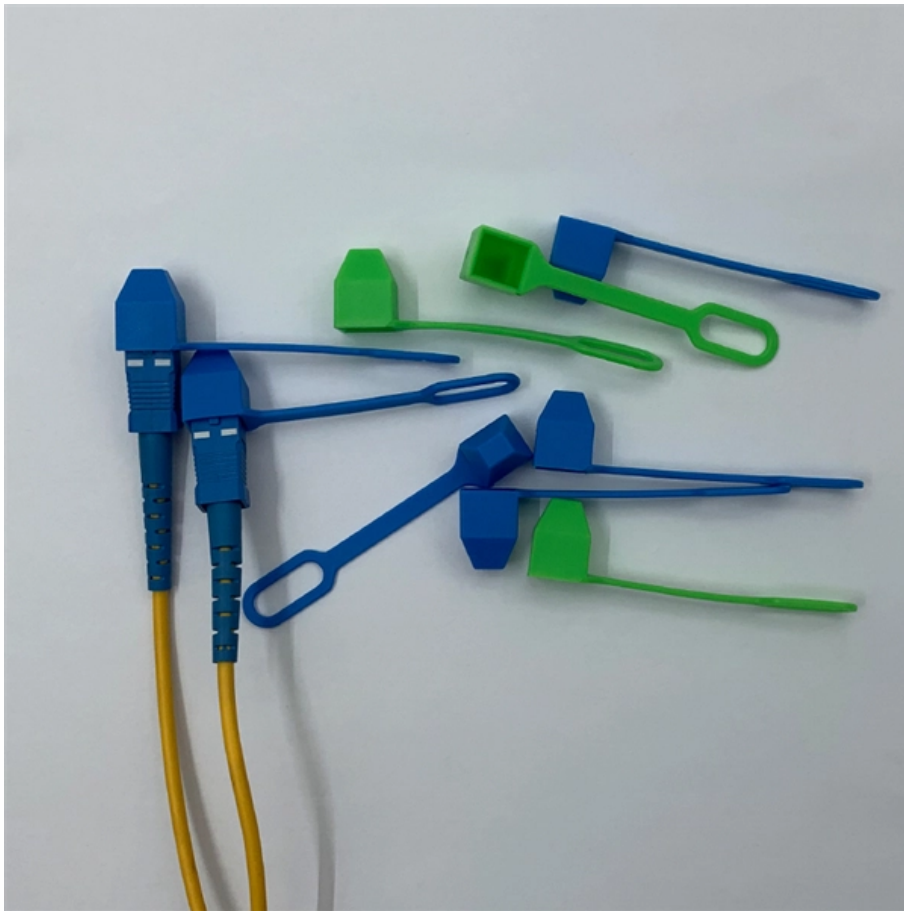


# PoE Switch Thermal Testing





## PoE Switch Thermal Testing

---



### PracticalPoEtutorial-7-10-17

Test Setup Temperature Test Setup Cable Trays  
Cabinet #1 Switches Power Supplies PoE circuitry  
Loads Temp Recorder 192 cable bundle (6m)  
Load

### PoE Switch Testing & Certification , GTG Group

GTG Group provides professional, efficient and reliable test & certification services for PoE Switch.

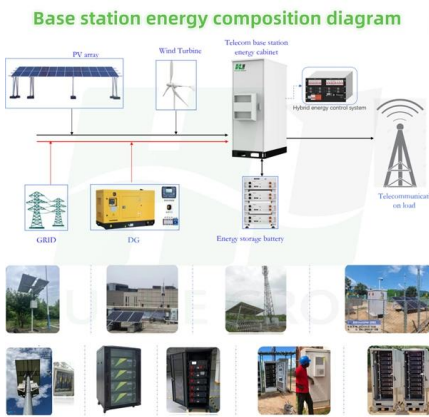


### PoE Troubleshooting: Addressing Common Issues

This article addresses common PoE network issues, best practices for maintenance, troubleshooting tools, and real-world case studies.

### POE Tester Gen2.5

What does it do? Use the Gen2.5 to test PoE cameras, VOIP phones, and WiFi installations without interrupting data flow, quickly detect and

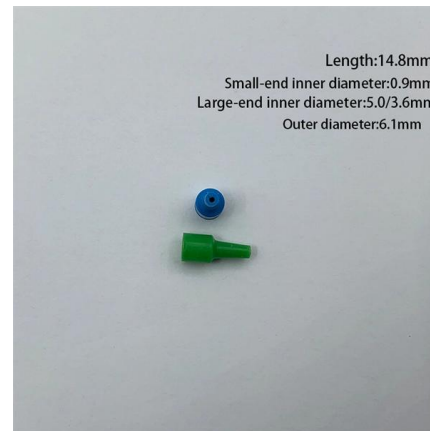


## TESTING PoE FOR TROUBLE-FREE OPERATION

WHAT IS NEEDED TO ENSURE SUCCESSFUL POE OPERATION Provisioning required amount of PoE power source is the most important aspect of PoE operation. PSE network switches must have

### How to do a POE test?

In most environments, technicians "test" PoE by connecting the powered device (PD). If it powers up they move on to the next connection. If not,



## PoE Switch Operating Temperature- Everything You Need to Know

This article will explore the central role of operating temperature in PoE switches, analyzing their normal temperature range, the effects of temperature, and how to ensure stable operation within an



### PoE Tester , PoE Power Consumption , PSE Checker

Test the information of the standard/non-standard PoE device, such as voltage, polarity, mid-span or end-span. Test of real-time power consumed by PD devices in PoE power supply systems. Test the

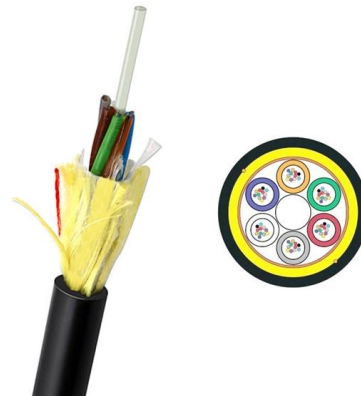


### PoE Thermal Considerations

The following application note has been written by our Engineering team to provide practical examples of thermal management practices that can be used when designing a PoE solution into your application.

### Ethernet POE & PHY Testing

Ethernet POE & PHY Testing PSA-3000 Product Data» The PSA-3000 is a multi-port "one-box solution" to test and analyze Power Sourcing Equipment (PSE) and assure overall compliance to the IEEE



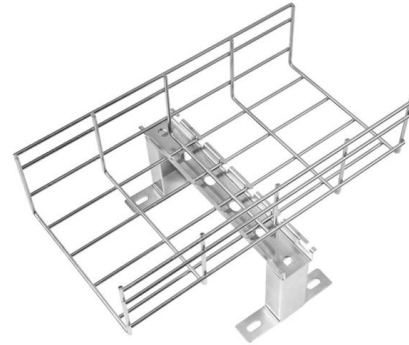
### Slide 1

Test Setup Temperature Test Setup Cable Trays Cabinet #1 Switches Power Supplies PoE circuitry Loads Temp Recorder 192 cable bundle (3m) Load



## Ethernet Alliance PoE Certification Testing

Ethernet Alliance PoE certification The wide variety of Power over Ethernet (PoE) products on the market is creating interoperability issues and market confusion. Manufacturers and vendors must



## Assessing PoE PSU Performance in High-Temperature

Assessing the reliability of Power over Ethernet (PoE) devices in high-temperature environments is a critical task related to the robustness of network infrastructure. This article

## How to Avoid Overheating in PoE Cabling?

However, heat rise issues along with high power in PoE cabling is an essential issue related to link performance and security. To reduce the



## How to Troubleshoot PoE , Common Issues, Commands

Learn how to troubleshoot PoE issues on Cisco Catalyst switches. Step-by-step diagnosis for no power, intermittent resets, partial power, and camera failures.



## Industrial PoE Switches , Temperature Management

Overheating in industrial PoE switches, from poor ventilation or high temperatures, degrades performance, slowing data transfer and causing network

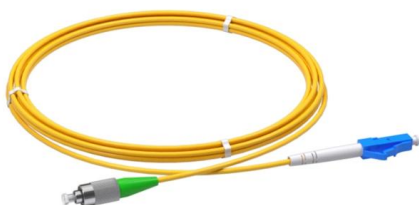


### How To Test POE Switch

How To Test POE Switch 2022-9-13 21:20:35  
1. What's PoE Switch? A PoE switch is a switch that supports power supply through a network cable. A PoE switch not only has the transmission function

### Testing PoE Links and Switches

Testing PoE Links and Switches This article describes how to test an active PoE link to discover details about the level of PoE on the link as well as the power delivery performance under load when power



### How to perform POE test and what can POE tester do

By using a POE tester, technicians can monitor the power status of devices remotely and perform real-time testing and adjustments to ensure



## How does temperature affect industrial switches?

Thermal Testing and Certifications To ensure that industrial ethernet switch PoE can reliably operate in extreme temperatures, manufacturers often conduct rigorous thermal testing.



## How to Test if Your Ethernet Cables Support PoE

See how to test whether your Ethernet cables support PoE, including performing resistance and standard cable testing.

## UL Solutions Approved for Ethernet Alliance Gen 2

Manufacturers of PoE devices can now pursue Gen 1 and Gen 2 certification via third-party testing at labs in both Asia and North America, as well



## Power over Ethernet (+PoE) testing with Versiv

For Test Limit selection on Versiv, consult your customer and consider the equipment and applications that will be running over the installed links. Fluke



## How to test your Ethernet Cables for PoE Compatibility

Learn how to test if your Ethernet cables support Power over Ethernet (PoE) with Versitron's step-by-step guide. Ensure your network is



## PoE Switch Reliability Improvement Checklist: Best

This article will walk you through troubleshooting PoE switch problems, address common issues, and a checklist for improving PoE Switch Reliability. If you're

## How does a Ultra PoE switch handle high temperatures?

Rigorous Testing: To ensure that Ultra PoE switches can handle high temperatures reliably, manufacturers typically subject these switches to rigorous thermal testing.



## Contact Us

For datasheets, pricing, or custom high-speed optical interconnect solutions, please visit:  
<https://www.syropy.com.pl>