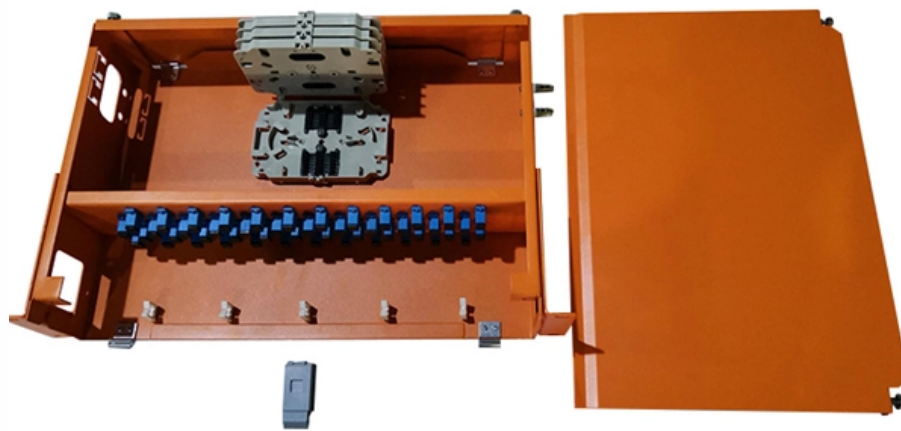


Performance Comparison of Drop Cable OM3 vs Single-Mode vs Multi-Mode





Performance Comparison of Drop Cable OM3 vs Single-Mode vs Multi

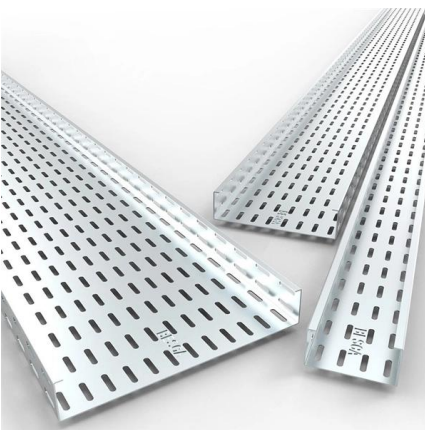


OM1, OM2, OM3, OM4, OM5 and OS1, OS2 Fiber

Know how to select fiber with the correct modal bandwidth for OM (OM1, OM2, OM3, OM4, OM5) and OS (OS1, OS2) fiber types testing and their differences.

Single Mode vs Multi Mode Fiber: Which One Do You Need?

Compare single mode and multi mode fiber optic cables: distance, bandwidth, cost, and use cases. Expert guide to choosing the right fiber type for your network project.



Multimode Fiber Types: OM1 vs OM2 vs OM3 vs OM4

A complete guide to multimode fiber types OM1, OM2, OM3, OM4, and OM5. Compare speed, distance, bandwidth, and applications, and learn how

OM1 vs OM3 Fiber: Key Differences in Performance and Applications

Discover the key differences between OM1 and OM3 multimode fiber optic cables for high-speed networks. Compare core sizes, data transmission speeds, and optimal applications to choose



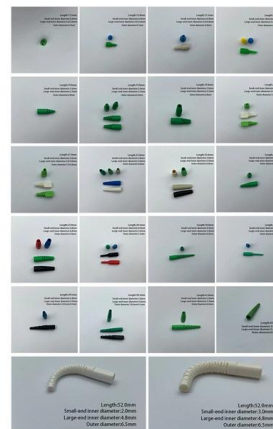
OM3 vs OM4 Multimode Fiber: What's the difference?

OM3 fiber and OM4 fiber are both laser-optimized multimode fibers with 50/125µm fiber cores, which need to meet the ISO 11801 standard. They



Differences between OM1 OM2 OM3 OM4 copy

This application note discusses differences between various types of Multimode and Single mode optical fiber cable nomenclatures mentioned in ISO/IEC and ANSI/TIA standards.



OM1 Vs OM2 Vs OM3 Vs OM4 Vs OM5: Multimode

Explore OM1, OM2, OM3, OM4 & OM5 multimode fibres. Compare features, bandwidth & distances to choose the right fiber type for your network or

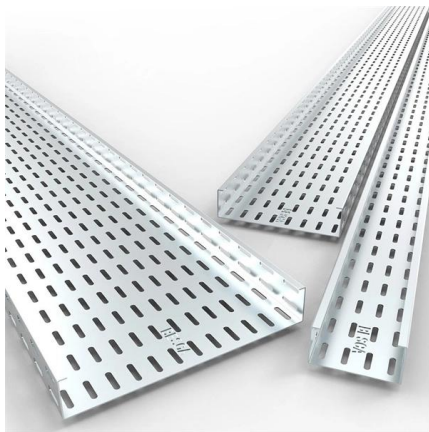


Multimode Fiber Standards Guide: OM1



OM2 OM3 OM4

Compared with copper, it offers higher bandwidth, lower loss, and longer reach, making it essential for the internet, telephony, and data transport.



OM1-OM5 vs Singlemode Fiber: Best for 2025 Data

Compare OM1-OM5 and singlemode fiber for 2025 data centers and AI networks. Expert guide to choosing the right fiber type for high-speed

OM3 vs OM4 Fiber Optic Cables: Key Differences Explained

OM3 vs OM4 fiber optic cables explained. Compare performance, distances, and key differences for your network setup.



Multimode Fiber Cable Types: OM1 vs OM2 vs OM3 vs OM4 vs OM5

Compare all five multimode fiber grades -- OM1 through OM5 -- with full specs, bandwidth, distance limits, and real-world data center use cases. Learn which grade fits your



OM1 vs OM2 vs OM3 vs OM4 vs OM5 Multimode Fiber

Compare OM1, OM2, OM3, OM4, and OM5 multimode fiber specs, distances, bandwidth, and applications. Essential guide for data center fiber



Understanding OM3 Multimode Fiber: Advanced Guide

In the swiftly moving world of fiber optic technology, OM3 multimode fiber is essential for high-speed data transmission. This expert manual proposes

Multimode Fiber: OM1 vs OM2 vs OM3 vs OM4 vs OM5 Comparison

Explore differences between OM1, OM2, OM3, OM4, OM5 multimode fiber, including core size, bandwidth, transmission distance & applications. Choose premium Weunion multimode



OM3 vs. OM4: Which to Choose? - VCELINK

Fiber optic cables are essential in modern network deployment because of the increasing need for higher bandwidth and speed. Multimode and single-mode

Hier sollte eine Beschreibung angezeigt werden, diese Seite lässt dies jedoch nicht zu.



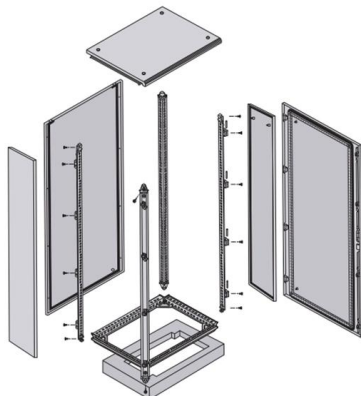
AscentOptics

Hier sollte eine Beschreibung angezeigt werden, diese Seite lässt dies jedoch nicht zu.



Single-Mode vs Multimode Fiber Optic Cables: A Comprehensive

Compare Single Mode vs Multimode fiber optic cables. Expert analysis on distance, bandwidth, 800G compatibility, and TCO for modern network infrastructure.



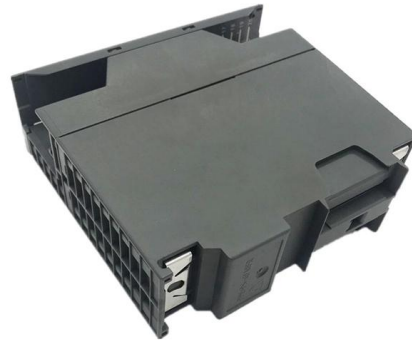
OM1 vs OM2 vs OM3 vs OM4 vs OM5: Multimode Fiber

Multimode fibers OM1 through OM5 offer varying levels of performance, bandwidth, and transmission capabilities. From the basic OM1

Fiber Optic Cable Types Explained



Learn all about the differences between single mode and multimode cables, as well as the various fiber wavelengths and standard core sizes used in fiber optics.



Multimode fiber: OM1 vs OM2 vs OM3 vs OM4

Multimode fiber technology has been developed from OM1 multimode to OM4 which supports 10Gbps now, which will make the user's investment get



OM1 vs OM2 vs OM3 vs OM4 vs OM5: Understanding

With several types available--OM1, OM2, OM3, OM4, and OM5--each offering distinct performance characteristics, selecting the right fiber



Multimode Fiber Optic Cable Types: OM1 vs OM2 vs

Multimode fiber optic cables allow multiple light modes to transmit at once, making them useful for short to medium range applications like





Multimode Fiber Types: OM1 vs OM2 vs OM3 vs OM4

How Many Types of Multimode Fiber? Identified by ISO 11801 standard, multimode fiber optic cables can be classified into OM1 fiber, OM2 fiber,



Multimode Fiber Types Explained: OM1 vs OM2 vs OM3

But with multiple MMF grades-- OM1, OM2, OM3, OM4, and OM5 --choosing the right type can be confusing. This guide explores the differences

FS Community

Hier sollte eine Beschreibung angezeigt werden, diese Seite lässt dies jedoch nicht zu.



Contact Us

For datasheets, pricing, or custom high-speed optical interconnect solutions, please visit:
<https://www.syropy.com.pl>