

Parallel cable tray tee fabrication diagram





Parallel cable tray tee fabrication diagram



Cable Tray Spacing Standards for Installation and Safety

Key Factors Impacting Cable Tray Spacing
Understanding cable tray spacing is key to meeting safety regulations and maintaining system

GUIDE CABLE TRAYS TECHNICAL

In accordance with its continuous improvement policy, Legrand reserves the right to change the specifications and illustrations without notice. All illustrations, descriptions and technical information



Cable tray manual

Nearly every aspect of cable tray design and installation has been explored for the use of the reader. If a topic has not been covered sufficiently to answer a specific question or if additional information is

Structure of a cable tray. 447 448 449

Prefabricated mechanical, electrical and plumbing (MEP) module is one of the off-site construction technologies that can significantly improve productivity.



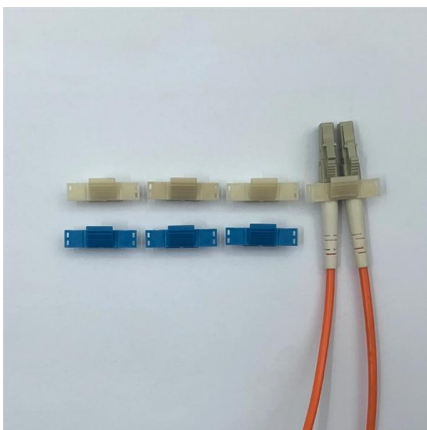
CABLE TRAY SYSTEMS GUIDE

The Ladder Tray features light, rugged, tubular steel construction. It is designed for mechanical support and strain relief in long runs of cable and creates a smooth gradual bend for cable. Rail and stringer



Cable Tray Design and Components Guide

This document provides information about cable trays and accessories, including straight cable trays, perforated trays, returned edge and flange types, and bent



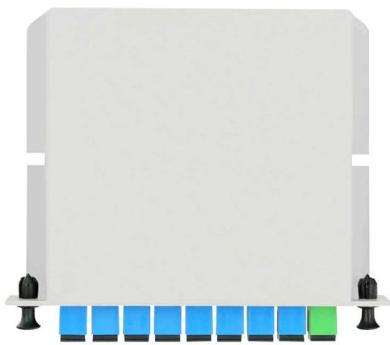
Cable Tray Technical Guide A practical guide to product selection and

A practical guide to product selection and installation This guide for engineers and installers has been developed by ABB as a practical reference regarding cable tray characteristics, installation, and



CABLE TRAY INSTALLATION PROCEDURE

Cable trays shall be provided with covers where there is high risk of mechanical damage during normal operation or maintenance periods. Cover fabrication shall



Cable Tray Technical Guide A practical guide to product selection and

Cable tray is considered to be a system. It must provide continuous support for cables, and the electrical continuity of the cable tray system must be maintained.

GUIDE CABLE TRAYS TECHNICAL

NEMA VE 1-2017 Specifies requirements for metal cable trays and associated fittings designed for use in accordance with the rules of Canadian Electrical Code, Part I and the National Electrical Code®



Annex I

This document deals with cables trays, cables and connector installation and segregation, cable trays earthing and E.M.C. directives. These rules shall be applied in the cabling engineering workflow for



How to Produce Wire Mesh Cable Trays and Complex

This article provides an in-depth guide on how to produce wire mesh cable trays and their complex connectors, such as horizontal elbows, tees,



B-Line series Cable Tray Design Considerations

As an industry leader in cable tray, Eaton offers one of the widest ranges of cable management solutions available in the market today with its B-Line series portfolio. With unmatched quality and service, we

Cable Tray Installation CAD Blocks , DWG Electrical

Download free Cable Tray Installation CAD Blocks in DWG format. Perfect for electrical layouts, MEP coordination, and infrastructure design in AutoCAD.



T& B Cable Tray Systems Design Tools , ABB

Find and download Intergraph Smart 3D CAD VUE files for T& B cable trays. These files are commonly used for 3D modelling and visualization in the design of



Kable Kontrol Cable Tray tees and x junction instructions

Tees and X Junctions Wire Mesh Cable Tray Reducer and Tee Junction Instructions CABLE TRAY CUTTING & BENDING GUIDES CONFIGURING CABLE TRAYS FOR INSTALLATION Horizontal Tees



Typical Design Philosophy of Cable Trays for Power

Cable tray system shall be used for laying of MV and LV power, control, instrumentation and special cables in the Power Plant. Cable trays shall be

Drawings , Innovative Cable Trays, Cable Management

Download Snake Tray drawings detailing our innovative cable trays, cable management, and power distribution solutions. We sweat the details!



cable tray system

A cable tray system is an assembly of metallic cable tray sections and accessories, that forms a rigid structural system to support cables.





Cable tray design , GrabCAD Tutorials

A cable tray system is ideal for protecting and organizing electrical connections in commercial and industrial environments. This article offers a



Cable Tray Design and Components Guide

Drawings show different bent cable tray types like 90 degree and 45 degree horizontal bends with curved or straight radiuses. Notes specify other available

Type of Cable Tray

Cable Tray Materials: Most cable tray systems are fabricated from a corrosion-resistant metal (low-carbon steel, stainless steel or an aluminium alloy) or from a metal with a corrosion-resistant finish



Cable Tray Design and Standards Guide

1. The document outlines codes and standards that must be followed for design and construction of cable trays and their components. Standards listed include those



T & B Cable Tray Systems Design Tools , ABB

T & B ® cable tray files for building information modelling (BIM) ABB is a leading force in the cable tray systems industry. We offer a wide range of products to meet the

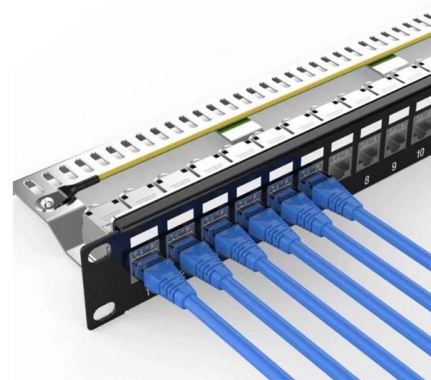


Cable Tray Fabrication Method Statement

METHOD OF STATEMENT Cable tray fabrication and installation - Free download as Word Doc (.doc), PDF File (.pdf), Text File (.txt) or read online for free. The

Cable Tray Installation Guidelines , PDF , Galvanization

This document provides details on installing cable trays and their support systems. It includes diagrams showing how to mount cable trays on walls using pre



Cable Tray Layout & Section (Electrical) , PMG Engineering

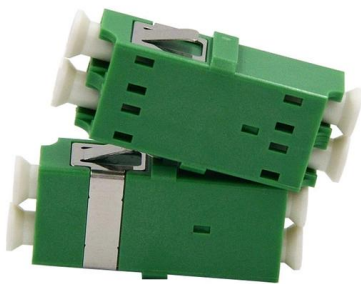
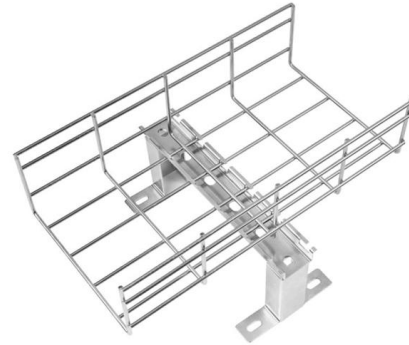
Explore the essentials of cable tray layout and section design in electrical systems, ensuring optimal cable management and support.

Complete cable tray manual for electrical



engineers and

Cable tray wiring systems are well suited for computer aided design drawings. A spread sheet based wiring management program may be used to control the



Designing Cable Tray Layouts for Industrial Facilities

Discover expert tips for Electrical Draftsmen to design effective cable tray layouts in industrial facilities.

Cable tray manual

All the technical information developed by the 1973 NEC® Technical Subcommittee on Cable Tray for Article 318 - Cable Trays was based on cable trays with side rails and this technical information is still



Contact Us

For datasheets, pricing, or custom high-speed optical interconnect solutions, please visit:
<https://www.syropy.com.pl>