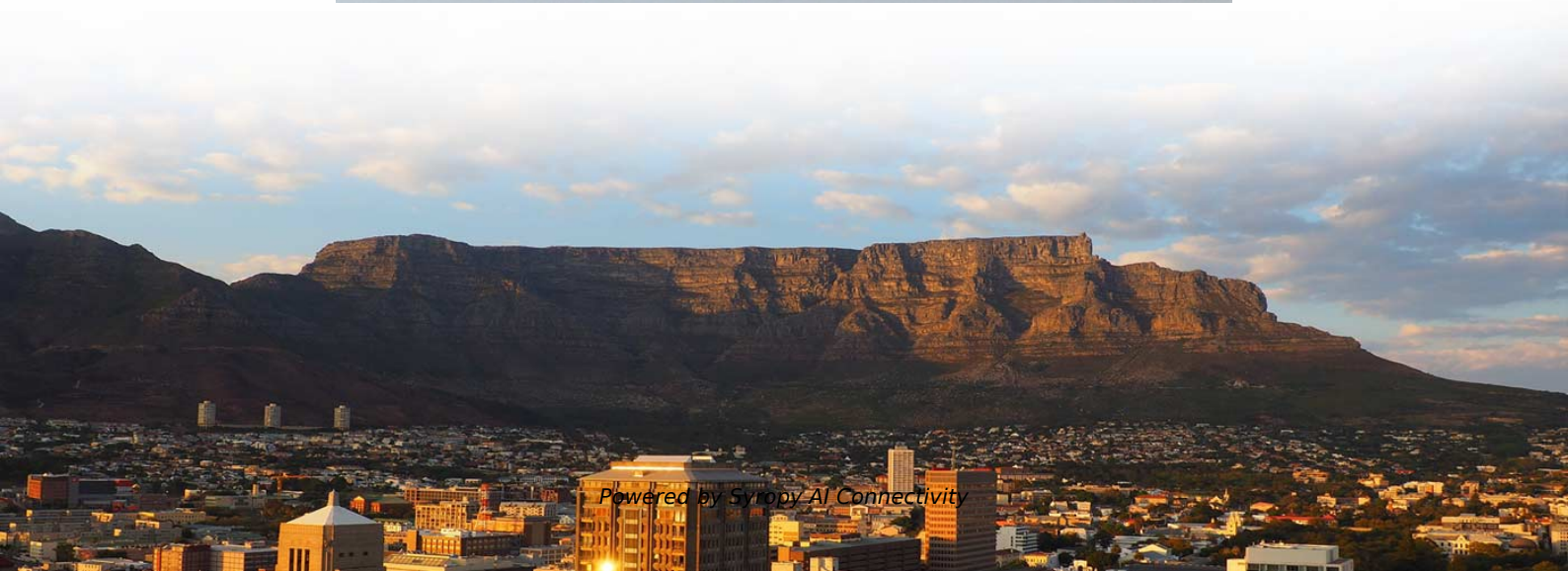
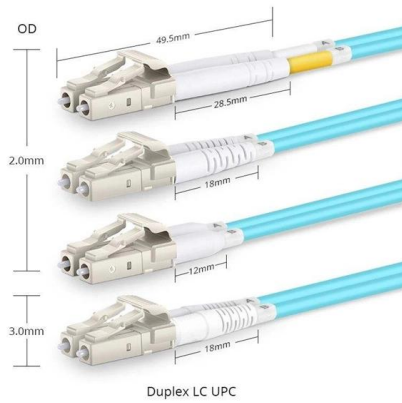


Paraguayan GPON equipment SFP





Paraguayan GPON equipment SFP



GPON-SFP

High Scalability and Flexibility in Multiple Applications PLANET GPN-SFP provides a high-speed Internet connection to PLANET OLT via GPON technology. It offers a

gpon ont, epon olt, fiber onu, gpon olt and sfp module

Discover HSGQ's GPON and EPON solutions: 1GE GPON ONT, 10G EPON OLT, 2.4G Fiber ONU, 2 port GPON OLT, and 1.25G SFP modules for diverse

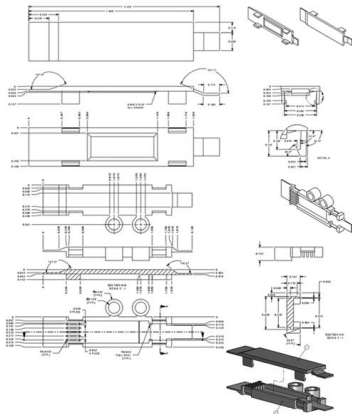


GPON SFP Module Wiki: GPON ONT SFP, GPON ONU

GPON SFP module is important part in GPON optical network. This post focus on GPON SFP wiki, GPON SFP Class B+ and Class C+.

Ubiquiti UF-Instant Compact 20 Km GPON CPE 1Gbps

UF-Instant - Compact GPON Customer-Premises Equipment (CPE) The UF-Instant from Ubiquiti Networks is a compact and high-performance GPON CPE designed



MikroTik · GPON ONU module

The product provides a pluggable GPON ONU interface for networking equipment with an uplink SFP receptacle enabling these devices to be deployed in GPON

A Brief Introduction to GPON SFP Modules

GPON SFP modules include SFP OLT modules installed at the central office and SFP ONU modules at the customer premises. GPON SFP can be a cost-efficient and efficient solution for



GPON-SFP

Leveraging PON technology, the GPON-SFP can receive and deliver high-speed voice, data, and video services. It provides long-term service, lower operating



XGS-PON , Nokia

XGS-PON is becoming the mainstream PON technology. Its 10 Gb/s symmetrical capacity enables you to make the first step into a new era of fiber broadband.



50KW modular power converter



GPON helps COPACO boost IP convergence in Paraguay

According to Marta Canatta, commercial manager of the public telco, speaking to the national news bureau IP Paraguay, fibre-based services powered by the GPON technology are

SFP Optical Transceiver Products , Syrotech Networks

Syrotech Networks is market leader in manufacturing and supplier of sfp module, optical transceiver, sfp port, sfp optical transceivers, fiber sfp.



Length:17.0mm
Small-end inner diameter:2.05mm
Large-end inner diameter:3.6mm

What is GPON? Complete Guide to Gigabit Fiber Networks

Learn GPON technology basics, how it works, advantages vs EPON, and future PON trends. Complete guide to Gigabit-capable Passive Optical



GPON ONU SFP Transceiver

GPON ONU SFP Transceiver Perfectly Designed for FTTx Applications PLANET GPN-SFP is an SFP GPON ONU device designed in compliance with the ITU-T G.984 standard. It is a cost-effective



F. Onu Bridge GPON Huawei EG8010H APC

Una parte integral de la solución Fiber To The Home (FTTH) de Huawei, EchoLife EG8010H es una terminal de red óptica (ONT) para interiores que utiliza la tecnología Gigabit Passive Optical Network

OLT GPON 4PON V1600G0-B 2*10GE 2*1GE SFP UPLINK 1U

La V1600G0-B de V-SOL es una OLT GPON compacta de 1U diseñada para implementaciones FTTx de pequeña y mediana escala. Es ideal para escenarios como parques industriales inteligentes,



Huawei-Flex-PON-Solution

Huawei provides the innovative OLT Flex-PON solution that supports both GPON/XG (S)-PON and Combo PON using pluggable SFPs, enabling smooth evolution from GPON to XG (S)-PON. In this



A Brief Introduction to GPON SFP Modules

GPON SFP Modules: Enhancing Fiber Broadband Connectivity GPON (Gigabit Passive Optical Network) SFP (Small Form-Factor Pluggable) modules play a critical role in enabling high



F. ONU GPON/EPON XPON 1GE V2801SC UPC C/PORTA CABO

Descrição Marca: F. ONU GPON/EPON HIBRIDA 1GE+1 XPON V2801SC COM BANDEJA Código referência: 8496 A porta Ethernet 10/100/1000 G/EPON ONU de porta única atende a FTTO

MikroTik · GPON ONU module

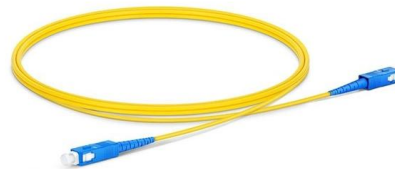
The ONU is in a standardized MSA SFP form-factor and is designed to simply plug into a standard SFP port in your router. The product provides a pluggable GPON



Paraguay GPON Market (2024-2030) , Trends, Outlook & Forecast

Historical Data and Forecast of Paraguay GPON Market Revenues & Volume By Fiber to the Building (FTTB), Fiber to the Curb (FTTC), and Fiber to the Node (FTTN) for the Period 2020-2030

Baixar atualizações, firmware e outros. Empresa líder no mercado de fibra óptica e equipamentos de rede, oferecendo soluções completas para conectividade. Inscreva-se para receber nossas



GPON ONU FIBERHOME HG6143D 4GE+1POTS DUAL BAND UPC

GPON ONU FiberHome HG6143D 4GE+1POTS DUAL BAND UPC es una terminal de red óptica avanzada diseñada para ofrecer conectividad de ultra alta velocidad y servicios de triple play (voz,

ONU GPON/XPON GP1501DT 1GE BDCOM

O BDCOM GP1501DT é um terminal de assinante Gigabit GPON no chipset Realtek projetado para uso em soluções FTTH / FTTB. A conformidade com os padrões



Internet GPON , Empresas , Claro Paraguay

Con Internet GPON tú y todos tus empleados podrán acceder a internet a través de nuestra red de fibra óptica de extremo a extremo, obteniendo velocidades hasta de hasta 600 Mbps de acuerdo al plan



GPON ONU SFP Transceiver

GPON ONU SFP Transceiver Perfectly Designed for FTTx Applications PLANET GPN-SFP is an SFP GPON ONU device designed in compliance with the ITU-T G.984 standard. It is a cost-effective



ODI Realtek DFP-34X-2C2

ODI Realtek DFP-34X-C2C List of software versions V1.0-220923 (hybrid by @lanseyujie and @stich86) V1.0-220817 V1.0-220530 (hybrid by @stich86) V1.0

Cisco GPON SFP Data Sheet

This data sheet describes the benefits, specifications, and ordering information for the Cisco GPON SFP.



FTTH BOOK-TYPE TERMINAL BOX

Sleek Design. Reliable Connectivity.



COMPACT & DURABLE

EASY INSTALLATION

ACQUISITION OF GPON PORT SERVICE CARDS WITH SFP C

Whether you're targeting the Infrastructure and construction sector in Paraguay, or expanding across regions, we provide live, accurate, and relevant updates every day.



F. GPON OLT 8PON V1600G1-B 2*10GE 4*GE RJ45

Especificações Técnicas. **broadcom chips
Modelo: F. GPON OLT 8PON V1600G1-B 2*10GE
4*GE+2*GE SFP UPLINK 1U Código referência:
49211 Material:



Cisco SFP-GPON-B-I In Paraguay

We blend creativity and innovation to meet your industrial Cisco SFP-GPON-B-I requirements. Each item is offered to you at prices that are among the lowest on the market.

Contact Us

For datasheets, pricing, or custom high-speed optical interconnect solutions, please visit:
<https://www.syropy.com.pl>