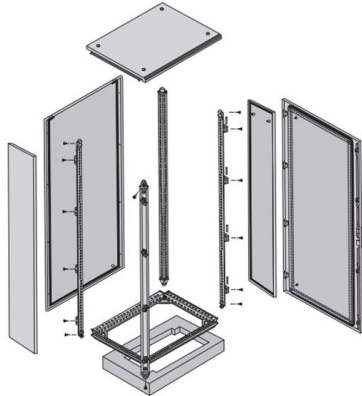


Panama Laser Diode 1G





Panama Laser Diode 1G



PI Sheet

Uncapped TO9 specifications assume heatsinking underneath laser chip. Capped TO9 specifications assume heatsinking only on flat surface where

808nm Alexandrite Diode Laser Hair Removal Machine in Panama

Providing Panama 808nm Alexandrite Diode Laser Hair Removal Machine price, product information, before and after comparison pictures, reviews, and OEM/ODM customization.



Laser Diode Selection Guide (ALL MANUFACTURERS)

This allows users to compare laser diodes from all manufacturers and find their best options.

Laser Diodes, Modules , Optoelectronics , DigiKey

Shop DigiKey's large in-stock selection of Laser Diodes, Modules. View inventory, pricing and order now for same day shipping!



1 kW cw fiber-coupled diode laser with enhanced

1 kW cw fiber-coupled diode laser with enhanced brightness download PDF version Guillermo Garre-Werner (a,b), Joan J. Montiel-Ponsoda (a), Volker



Panama Laser Diode Market (2024-2030) , Trends, Outlook & Forecast

Historical Data and Forecast of Panama Laser Diode Market Revenues & Volume By Vertical External Cavity Surface Emitting Laser (VECSEL) Diodes for the Period 2020-2030



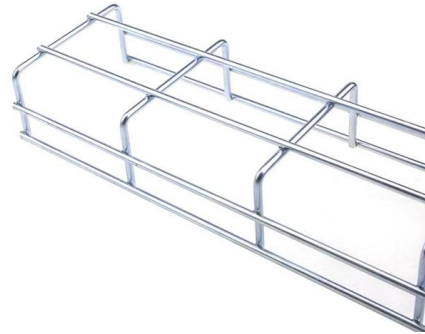
Laser Diode Selector

High Power Diode Laser Hair Removal Machine in Panama

BeautyODM - Panama Brand Manufacturer of High Power Diode Laser Hair Removal Machine, Providing prices, product information, before-and-after photos, reviews, and professional OEM/ODM



The laser diode selector allows you to specify the wavelength, power and package and download datasheets for a wide range of high quality laser diodes.



1200W FDA Approved Diode Laser Hair Removal Machine

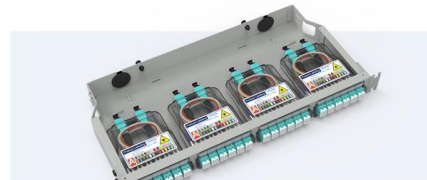
How to Get the Best 1200W FDA Approved Diode Laser Hair Removal Machine Price in Panama 1 nctact Us Directly: Avoid middlemen and work with our sales engineers. 2.Customize Your Order:

Advanced Diode Laser Hair Removal Machine for Beauty Salon

How to Get the Best Advanced Diode Laser Hair Removal Machine for Beauty Salon Price in Panama 1 nctact Us Directly: Avoid middlemen and work with our sales engineers. 2.Customize Your Order:

Pre-Terminated Patch Panel

- Multi-application support
- Flexible configuratvion
- Modular design



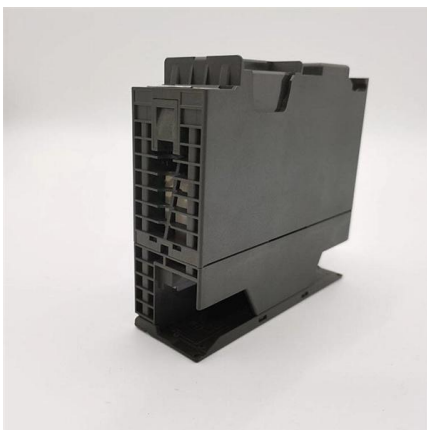
Cable Gland Plug
28mm Cable Gland Plug



MFD-EC up to 96 cores
MFD direct connection 48 ports



Mounting Bracket
Semi-open mounting holes



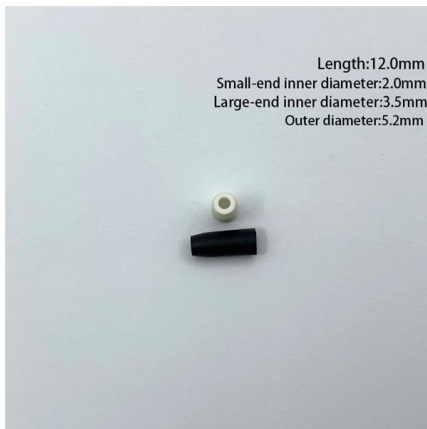
Medical Diode Laser Hair Removal Machine in Panama

BeautyODM is a Panama. brand manufacturer offering Medical Diode Laser Hair Removal Machine with pricing, product info, reviews, photos, and OEM/ODM service.



Single Frequency Laser Diodes

With a ± 1 nm wavelength tolerance and fine-tuning precision below 0.1 nm, they offer a linewidth of approximately 1 MHz. Available configurations include PM or SM fiber, external optical isolators, and



Single-Emitter Diodes

This scalable, modular design enables IPG to build lasers that require virtually zero maintenance and have any number of redundant diode pumps to ensure continuous reliable laser performance over

Medical Diode Laser Hair Removal Machine in Panama

BeautyODM is a professional manufacturer and B2B supplier of medical aesthetic equipment in Panama, specializing in diode laser hair removal systems. With nearly two decades of R& D



Laser Diode Search Engine

Find the right laser diode with just a few clicks. Just select your specifications in



808nm Diode Laser Hair Removal System in Panama

Providing Panama 808nm Diode Laser Hair Removal Machine price, product information, before and after comparison pictures, reviews, and OEM/ODM customization.



Sell Laser Diode COCOON MEDICAL PrimeLase (Panama)

Sell Laser Diode COCOON MEDICAL PrimeLase, New, Price 34 000 UAH. Selling Laser Diode best price on ? Bimedis ?

Laserdioden Modul Ready to go

Kompaktes und leistungsstarkes Laserdioden-Modul (Punktlaser Modul) mit justierbarem Kollimator. Somit kann der Fokus auf kundenspezifische Entfernung



Laser Diodes , Components to Systems , UV-LWIR

Our vast selection of laser diodes includes both free-space & fiber-coupled outputs, like high-power Fiber-Coupled Multimode, high beam quality single mode, and



Laser Diodes , Product Search Tool

A Laser Diode is a type of semiconductor device that produces coherent light through the process of stimulated emission. Laser Diodes from the leading manufacturers

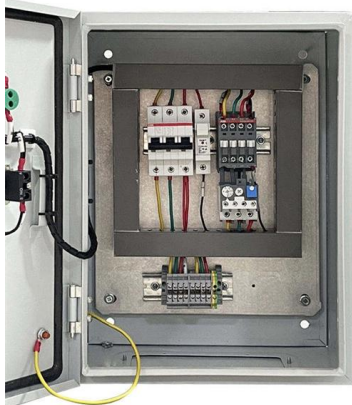


Laser Diode Search Engine

What suits your requirements? Find the right laser diode with just a few clicks. Just select your specifications in the search mask and you get an instant overview of

Laser Diode Search Engine

Find the right laser diode with just a few clicks. Just select your specifications in the search mask and you get an instant overview of all the laser diodes that meet



405nm 1W Violet Laser Diode by Ushio (HL40033G)

HL40033G Laser Diode is the 1 W violet laser diode with a wavelength of 405 nm. It is manufactured by USHIO.



Laser Diodes - semiconductor, gain, index guiding, high

The single mode laser diodes (either Fabry-Pérot laser diode or DFB laser diode) can reach high power in nanosecond pulse regime up to 500 mW. Most turn-key



1 W - Shop Laser Diodes from Top Brands

SKU: 1040LD-2-PM-NI Laser Diode 1040nm Laser Diode; Single Mode Fabry-Perot; 300mW / 1W (CW / Pulse); PM Fiber-Coupled Output Single mode Fabry-Perot; PM fiber-coupled output This product is

Diode Laser Hair Removal Device in Panama

Providing Panama Diode Laser Hair Removal Device price, product information, before and after comparison pictures, reviews, and OEM/ODM customization.



Diode Laser Hair Removal Equipment in Panama

Providing Panama Diode Laser Hair Removal Equipment price, product information, before and after comparison pictures, reviews, and OEM/ODM customization.



Laser Diode

A laser diode (or LD) is a laser light emitting semiconductor device using the properties of a p-n junction.



Laserdioden, Halbleiterlaser günstig online kaufen

Laserdioden haben auch viele Anwendungen in der Laserabsorptionsspektrometrie zur schnellen und kostengünstigen Bestimmung oder Überwachung der Konzentration verschiedener Spezies in der

Sharp GH04C01A2G 450nm 1.6W 1600mW Blue Laser

Laser Specifications GH04C01A2G.pdf Features
Part Number: GH04C01A2G Brand Name: Sharp
Product Type: Laser Diode Wavelength: 450nm
Optical Power:



Laser Diodes - Mouser

Laser diodes are available at Mouser Electronics from industry leading manufacturers. Mouser is an authorized distributor for many laser diode manufacturers including ams Osram, KYOCERA AVX,



Laser diode

The laser diode epitaxial structure is grown using one of the crystal growth techniques, usually starting from an N- doped substrate, and growing the I



Contact Us

For datasheets, pricing, or custom high-speed optical interconnect solutions, please visit:

<https://www.syropy.com.pl>