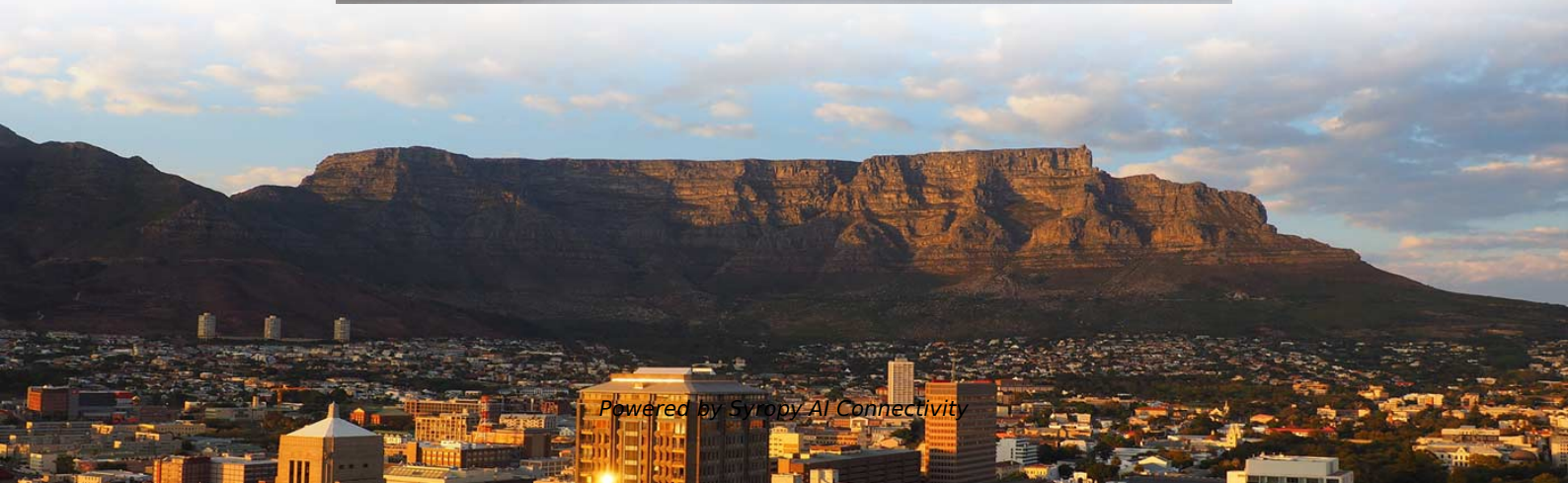


Overhead power cables at construction site distribution boxes





Overview

Overhead Cables: Overhead supply from the supply point or metering point to the distribution boards on the site should be of a robust pattern and preferably pliable and wire armoured with a further outer sheath of insulating material. These standards have been agreed by CENELEC (European Committee for Electrotechnical Standardisation) and also form part of the British Standard BS EN 50341-1:2012 Overhead Electrical Lines exceeding AC 1kV. The law says that any work near electric overhead power lines must be carefully planned and carried out to avoid danger from accidental contact or close proximity to the lines. The precautions necessary will depend on the nature of the work at the site and will be required even when work near the. Overhead power cable systems are absolutely fundamental to modern society, forming the backbone of electrical grids that deliver energy to homes, businesses, and industries.



Overhead power cables at construction site distribution boxes

ASoP

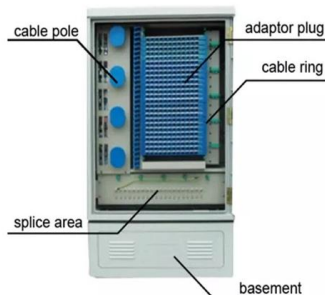
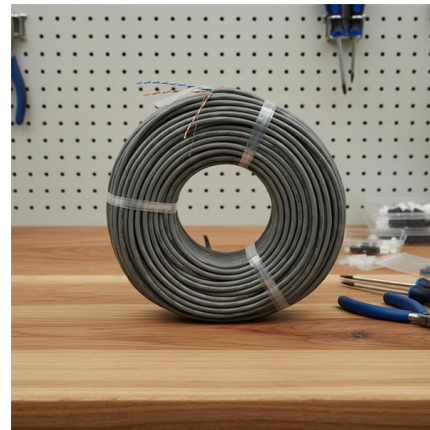


ASoP A4 AW(27.05.03)

Introduction The 'Sense of Place' Design Guidelines have been developed by National Grid in partnership with David Lock Associates to address the issues associated with developing sites

Chapter 5. Overhead Construction , part of Guide to Electrical Power

Chapter 5. Overhead Construction Abstract: Written by a highly regarded power industry expert, this comprehensive manual covers in full detail all aspects of electric power distribution systems, both as



Key Points Of Installation And Collocation Of Distribution Box In

The power distribution system at the construction site shall be distributed in different levels. The main distribution box (or distribution room) shall be set up.

Temporary Electrical Supply HSE Procedure For

Overhead Cables: Overhead supply from the supply point or metering point to the distribution boards on the site should be of a robust pattern and preferably pliable



Business Documentation (DBD)

NSP/004/041 - Code of Practice for the Construction of LV ABC Overhead Lines 1. Purpose The purpose of this document is to provide a specification detailing the design and construction

Overhead Power Cable: EPCOM's In-Depth Guide

EPCOM's guide to overhead power cable: types, installation, maintenance & safety. Learn how clamps, cutters & components ensure efficient



Development near overhead lines

This document provides information for planning authorities and developers on National Grid's electricity transmission lines and substations. It covers planning and amenity issues, both with regard to



HAND BOOK

6 DEWA Hand Book This book is a guide to the protection regulations or extra-high-voltage (EHV) overhead lines and underground cables or contractors, consultants, strategic partners, as well as



OVERHEAD ELECTRIC DISTRIBUTION CONSTRUCTION

In order to ensure safety, certain minimum clearances shall be maintained between various circuits of an overhead distribution system. Proper clearances from joint-use utilities, railroads, buildings, and



Power supply on the construction site

The use of high quality cables, plug and socket connections and IP55 rated power distributors are critical to ensuring a safe and reliable power supply on construction sites.



SSEN Word Document Template (Internal)

ACCESS AND WORK ON HIGH VOLTAGE UNDERGROUND CABLES OPERATIONAL SAFETY MANUAL - SECTION 8.1 Scottish and Southern Electricity Networks is a trading name of: Scottish



Overhead Distribution Construction Standards

FOR POLES LARGER THAN APPEARING ON THIS TABLE SEE TRANSMISSION WOOD POLE REINFORCING STANDARDS FOR INSTALLATION REQUIREMENTS IN THE 69KV OVERHEAD

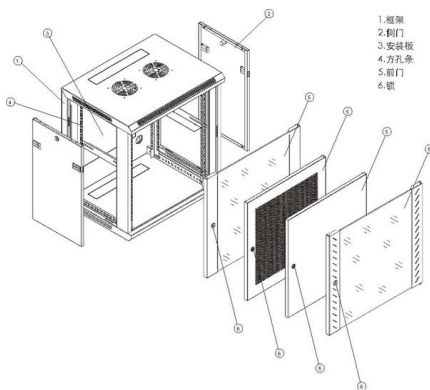


Technical Guidance Note 287

In the event of occurrences such as a cable strike, coming into contact with an overhead line conductor or identifying any hazards or problems with National Grid's equipment, phone our emergency number

00 cover com_tech

Allowable Overvoltages During Ferroresonance
 Distribution Transformer Connections Qualitative
 Description of Ferroresonance Ferroresonance
 When Switching at the Primary Terminals of



Code of Practice for Avoiding Danger from Overhead Electricity Lines

7 Construction sites where an overhead electricity line presents a hazard When overhead electricity lines present a hazard, the best choice is to switch out or divert the lines before site works begin.

Electricity Overhead Cable Installation



Process 2025

Learn how electricity overhead cable installation works. Explore process steps, safety, materials, and professional service costs in this complete



Avoiding danger from overhead power lines

Types of overhead power lines and their heights
6 Most overhead lines have wires supported on metal towers/pylons or wooden poles - they are often called 'transmission lines' or 'distribution lines'.

03 Appendix E1 Overhead Lines

Description Overhead lines (OHLs) are used by electricity transmission companies as the default preferred solution for connections between power stations, distribution companies and bulk electricity



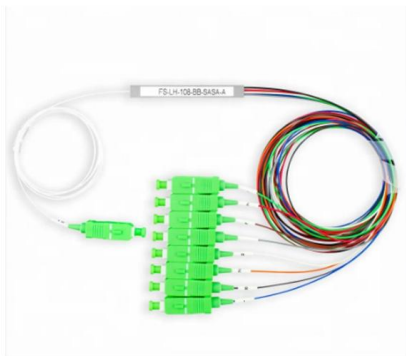
Mechanical Design of Overhead Lines

Electric power can be carried either by underground cables or overhead transmission and distribution lines. The underground cables are not typically used for power transmission due to two reasons.



Overhead Services Guidance Note

When working on a site, it is important to understand the potential for death or serious injury from contact with overhead power lines. This danger exists for both the operative carrying out the work but



Electricity - overhead power lines

PDF file

Transmission and Distribution Power Cables

Overhead distribution lines use bare or covered conductors, while underground distribution networks rely on solid dielectric or extruded insulated cables to ensure safety and reliability in close proximity to

General guide for working in the vicinity of overhead and underground

What is working in the vicinity of overhead and underground electric lines? Work in the vicinity of overhead and underground electric lines is where there is a reasonable possibility a person either



Overhead Electric Line Construction

It is recognized that the rules are not complete construction specifications, but they do embody minimum requirements which are capable of definite interpretation sufficient to form the basis of working



technical guidance for developers domestic electricity

Please ensure that you refer to the information contained in this document in conjunction with the approved design when preparing site for our installation works.



Contact Us

For datasheets, pricing, or custom high-speed optical interconnect solutions, please visit:
<https://www.syropy.com.pl>