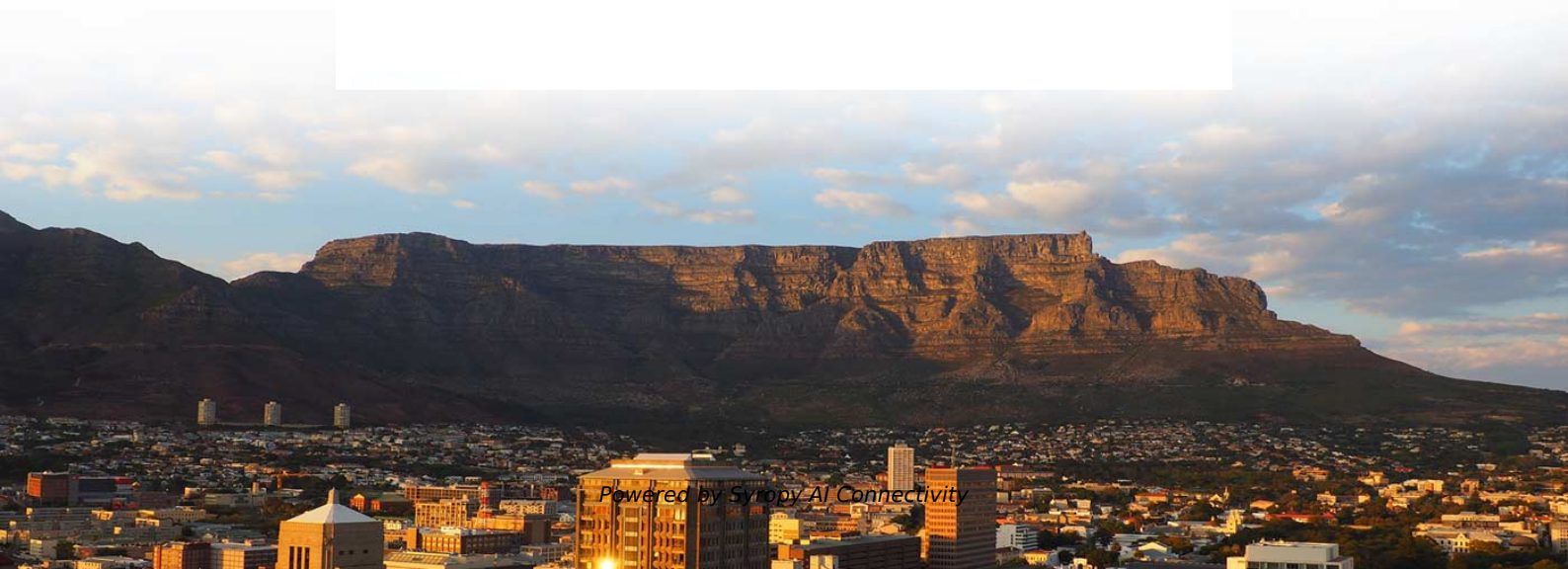


Outdoor server rack thickness specifications and dimensions diagram





Outdoor server rack thickness specifications and dimensions diagram

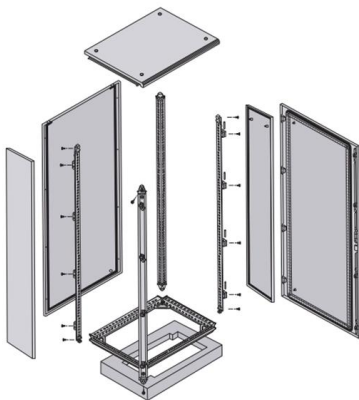


SERVER AND NETWORK RACKS 42U & 46U FLATPACK

re delivered in the color RAL 9011 (black). The rack is equipped with 2 cable trays which are mounted left and right at the back of the rack. Vertical toolless mount PDUs can be placed to these cable trays.

Data Center Server Rack: The Ultimate Guide

A data center server rack is critical for managing and organizing IT equipment. It supports hardware, enhances cooling, and ensures efficient power



What are the Standard Server Rack Dimensions?

Server racks come in a huge range of sizes, and there are a few general requirements that should be met by server furniture manufacturers. Thus, below, let's find out the answer to the question "how

Server Rack Sizes & Dimensions Explained: The Ultimate Guide to

Discover essential information on server rack sizes and dimensions, including heights, widths, and depths, in our ultimate guide. Optimize your setup today!



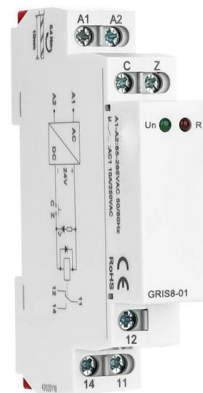
Server Rack Sizes & Dimensions Guide 2026

Common server rack sizes are 19-inch width, heights like 42U or 48U, and depths from ~24? to 48?. Choose size based on equipment type,



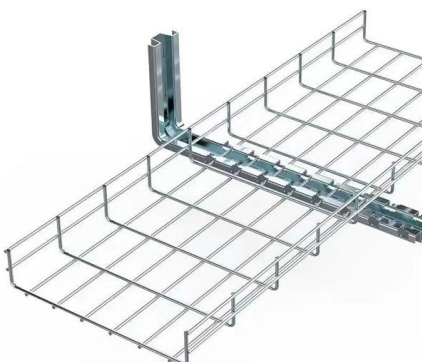
What Are the True server rack dimensions in mm for an Outdoor 18U

Understanding server rack dimensions in mm ensures compatible fits for networking gear. This article explains essential measurements like internal rail spacing rack unit height and necessary



A Guide to Server Rack Sizes for Data Centers

What's the best server rack size for your data center? That's a simple question with a complicated answer. Today, server racks are available in a wide





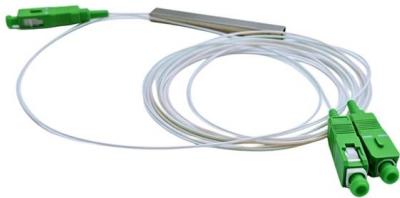
19-Inch Rack Size and Dimensions Explained: The Complete Guide to

Discover the essential guide to 19-inch rack sizes and dimensions for servers and rackmount PCs. Learn about standards, specifications, and best practices today!



Server Rack Buying Guide: Everything You Need To Know

This server rack buying guide will help you understand what a server rack is and key factors for your data center environment or IT closet.



IP55 Outdoor Server Cabinet Enclosure with Ventilated, 16U, 750mm

Being designed to accommodate the weather protection of your choice, the outdoor server rack enclosures are available in NEMA 3R, 4, or 4X configurations. AZE designs and manufactures 12U

Length:14.5mm
Small-end inner diameter:2.0mm
Large-end inner diameter:3.5mm
Outer diameter:5.2mm



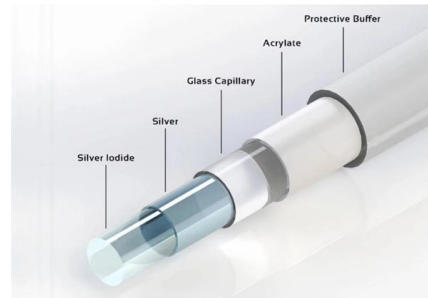
Server Rack Sizes Explained

Confused about server rack sizes? Discover how choosing the right rack can improve airflow, cable management, and overall system performance.



Standard data center server rack dimensions

Buy a rack that has room for future expansion
When selecting data center rack size and server rack measurements, it is crucial to consider current equipment

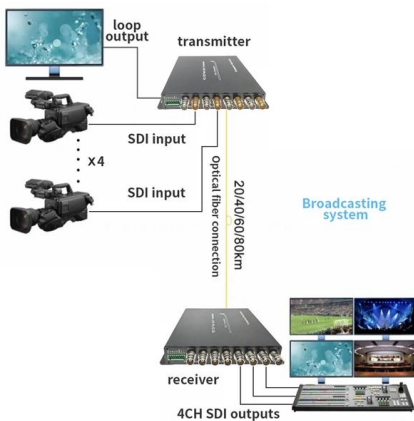


TS IT Rack Guide Specifications

7.2 universal mounting rails support installation of industry standard 19" rack mount server, network and electronic components, infinitely depth variable attached to depth stays.

Server Rack Sizes: The Complete Guide to Standard,

Below is a comprehensive, fully detailed guide covering all standard server rack sizes, form factors, height considerations, depth classifications, and



Server Racks and Their Sizes

Server Racks and Their Sizes Related Article: Buy Server Rack in Singapore: What You Need to Know As we know, server racks come in various types and



A Comprehensive Guide to Network Server Racks

Explore our in-depth guide to network server racks--from essential parameters and specific measurements to common types, materials, and key factors to consider



What are the Standard Server Rack Dimensions?

Server racks come in a huge range of sizes, and there are a few general requirements that should be met by server furniture manufacturers. Thus,

Server Racks and Cabinet Sizes , Server Room Environments

Whether you need a full-size server rack, specific server rack width, or standard server rack dimensions, our products cater to all your needs for reliable and customizable server room solutions.



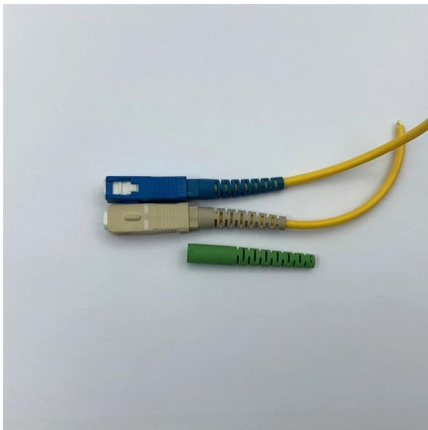
CHAPTER 3

FIGURE 3-5 shows some of the features, the dimensions, and rack unit spacing of an EIA 310D-compliant cabinet and rack. Additionally, the site planning product



What Is a Server Rack: Specifications, Usage, History,

This Whitepaper answers "What is a server rack?" in detail, providing an overview of their function, infrastructure dimensions, standardization and history. Read here.



Server Rack Sizes and Standards: A Complete Guide

Learn about server rack sizes, industry standards, and key factors to consider before purchasing. Optimize your IT setup with the right server rack

A Guide to Selecting the Right Server Rack Size

Server racks are essential in administration, and operation departments, server rooms, and even in our homes. Choosing the appropriate



Discover Efficiency With Our Outdoor Slim Rack For

In conclusion, our Outdoor Slim Rack is more than a server enclosure; it's a resilient and adaptive solution engineered for the demands of outdoor server



Outdoor Server Rack Guide: How to Choose the Right One

A practical, no-fluff guide on selecting an outdoor server rack--covering IP ratings, cooling, mounting, cost trade-offs, and real-world use cases.



Heavy Duty SmartRack Enclosure srh42uwdp54 datasheet

This SmartRack® 42U rack enclosure is constructed from heavy-duty steel 2.5 millimeters thick with reinforced structural elements, including extra welds and gussets for greater strength, extra

Unveiling Efficiency: The 9U Outdoor Server Rack

9U 9U Outdoor Server Rack Technical Specification: Embark on a journey of network optimization with our groundbreaking 9U Outdoor Server Rack, meticulously



Racks and Enclosures Technical Specifications , ServerLT

We provide detailed technical specifications for each rack and enclosure category to help you make informed decisions. Downloadable PDFs are available for the



Contact Us

For datasheets, pricing, or custom high-speed optical interconnect solutions, please visit:

<https://www.syropy.com.pl>