

Optical module sales decline





Overview

Competition in the 400G optical module segment intensified in 2023, with over 20 manufacturers entering the market, leading to a 12% decrease in average selling prices. 0% during the forecast period 2025-2032 MARKET INSIGHTS The global Optical Module Chip Market size was valued at US\$ 823 million in 2024 and is projected to reach.



Optical module sales decline

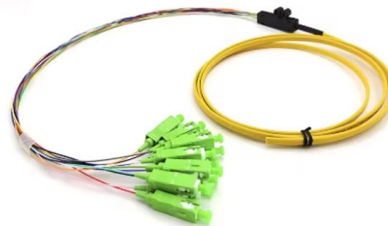


LightCounting sees optical component and module

The good news, according to LightCounting, is that optical component and module sales should grow 14% this year, despite supply chain issues and

Global optical module sales reach \$2.293 billion in Q1 2022

Global optical module sales reached \$2.287 billion in 2021Q4, exceeding \$2 billion in a single quarter for the first time. This figure was \$2.293 billion in 2022Q1, a year-on-year increase of



Optical Modules Market Size, Trends & Forecast 2025-2035 , Core

As the demand for optical modules continues to rise, the indirect sales channel is expected to grow, allowing manufacturers to focus on product innovation while relying on their distribution partners to

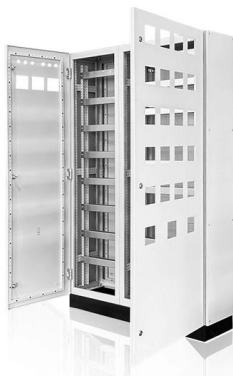
Optical Module Industry Statistics 2026

Our in-depth market data report on Optical Module Industry. Explore verified statistics and the latest research.



POET Technologies Stock Could Still Surge in 2026, but the Bar for a

POET's manufacturing readiness in Malaysia for light sources is very far along, according to the company, and will be ready in Q2 (for 800G optical engines) by Q3 2026. The company also



Optical Modules Market Size, Trends & Forecast 2025-2035 , Core

Discover Optical Modules Market trends, growth analysis, key segments, and regional insights. Forecast 2025-2035. Explore industry opportunities now!

5-INCH COLOR TOUCHSCREEN

Intuitive operation, easily accessible with just one touch



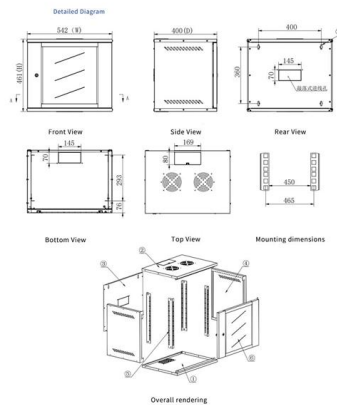
2025 Optical Module Market Share and Demand Report

Overview of the optical communication module market demand and supply chain, and production capacity in various regions in 2025



Optical Modules Market Research Report 2034

Optical Modules Market Outlook 2025-2034 The global optical modules market was valued at \$14.8 billion in 2025 and is projected to reach \$39.6 billion by 2034,



Optical Modules Market Size, Growth Trends & Forecast

Access detailed insights on the Optical Modules Market, forecasted to rise from USD 3.5 billion in 2024 to USD 8.2 billion by 2033, at a CAGR of 10.3%.

Sales of Optical Transceivers will decline in 2023

We believe the optical transceiver market will be down slightly (1% or so) in 2023 due to declines in the sales of Ethernet and wireless fronthaul transceivers of 10%



Sales of optical transceivers to decline in 2023 - report

Industry analyst Lightcounting's latest Market Forecast Report says the optical transceiver market will be down by around 1% in 2023 due to declines



Active Optical Module Market Report , Global Forecast From 2025 To

The global active optical module market size is poised to grow significantly from USD 3.5 billion in 2023 to an estimated USD 10.8 billion by 2032, reflecting a compound annual growth rate (CAGR) of 13%.



Length:33.5mm
Small-end inner diameter:4.0mm
Large-end inner diameter:6.0mm



Optical Modules Market Research Report 2034

The global optical modules market exhibited a moderately

Optical Module Chip Market 2025

The optical module chip market exhibits a fragmented yet competitive structure with global technology providers, semiconductor manufacturers, and specialized optical communication companies vying for



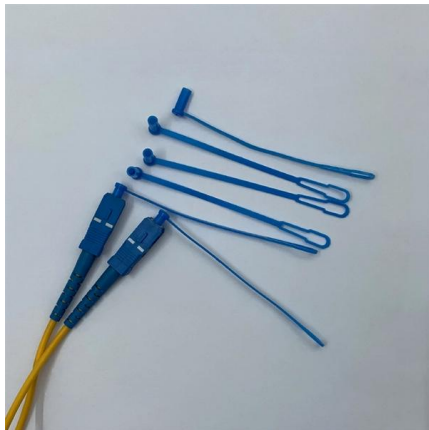
Optical Modules Market Size, Share, Industry Growth Analysis Report

Optical Modules Market - Significant Industry Insights This research report is a meticulous assessment of the optical modules industry, which contains a complete overview. With respect to distinct regions



Optics Transceiver Module Market 2025

Optics Transceiver Module Market size was valued at US\$ 12.67 billion in 2024 and is projected to reach US\$ 28.94 billion by 2032, at a CAGR of 10.84%



Optical Module Market Size, Competitors & Forecast to

The Optical Module Market, valued at USD 30.01B in 2026, is projected to reach USD 66.94B by 2032, growing at a 14.1% CAGR.

Optical Module Package Market 2025

The optical module market has become increasingly competitive, with average selling prices declining at approximately 15-20% annually for mainstream products. Chinese manufacturers have significantly



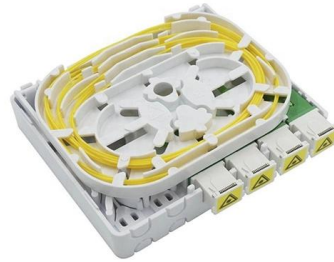
4Q21 Optical Components Report

Compact modular sales again outperformed the overall optical hardware market while Packet-OTN sales declined. 400ZR is shipping but is



Optical Modules

This report aims to provide a comprehensive presentation of the global market for Optical Modules, focusing on the total sales volume, sales revenue, price, key companies market share and

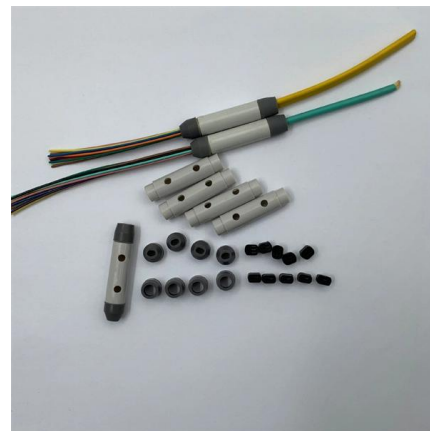


Global Optical Module Research Report 2022

The global Ethernet optical module market share in Q1 and Q2 2022 was US\$1,112/1,207 million respectively. Sales revenue in Q2, although lower

PwC_Semiconductor and Beyond_2026

A market that has already entered the maturity stage, characterized by decline or slow growth, with a focus on stable operations rather than new investments or innovation. The market itself is



Market Forecast Report

This report provides a detailed market demand forecast through 2028 for optical components and modules used in Ethernet, Fibre Channel, CWDM/DWDM, wireless infrastructure, FTTx, and high



LightCounting Predicts High-Speed Growth in The

Over the next five years, the global optical module market will maintain a 16% CAGR, with a projected 6% YoY decline in 2023. Amazon,



Global Optical Modules Market Segmentation Analysis 2026-2033

As businesses increasingly shift towards digital transformation, the demand for optical modules is surging, driven by the exponential growth of data consumption and the rising need for efficient



Optical Module Market Size, Competitors & Forecast to

The optical module market is navigating transformative shifts in technology, procurement, and network architecture, positioning itself at the heart of evolving



- AOC
- QSFP28 to 4*SFP28
- 100G
- OM3/OM4



Understanding Optics Module Trends and Growth Dynamics

The optics module market is booming, projected to reach \$42 billion by 2033, driven by 5G, cloud computing, and data center expansion. Learn about key market trends, leading companies, and



Optical Module Chip Market 2025

This market research report provides a comprehensive analysis of the global and regional Optical Module Chip markets, covering the forecast period 2025-2032. It offers detailed insights into market



Optical Module Industry Statistics 2026

Competition in the 400G optical module segment intensified in 2023, with over 20 manufacturers entering the market, leading to a 12% decrease in average selling prices.



Contact Us

For datasheets, pricing, or custom high-speed optical interconnect solutions, please visit:
<https://www.syropy.com.pl>