

Optical module products sold overseas





Overview

Asia Pacific is expected to maintain its position as the dominant force in the global optical modules market, driven by substantial investments in telecommunications infrastructure and data center expansions. Countries such as China, Japan, and South Korea are at the forefront of 5G deployment, creating a significant demand for advanced optical mod. The optical modules market is segmented into several product types, including transceivers, cables, amplifiers, splitters, and others, each playing a crucial role in the optical communication ecosystem.



Optical module products sold overseas

For an overseas sales, what should you know about



First of all, the optical module we usually say is just optical transceiver. As you can see from this name, it consists of both a transmitter and a

Global Optical Modules Market 2024-2030

Optical transceivers, or optical modules, are used wherever higher volumes of data need to be sent and received. Optical modules are perfect for massive, effective data transfers in data



Optical Modules Market Size, Trends & Forecast 2025-2035 , Core

As the demand for optical modules continues to rise, the indirect sales channel is expected to grow, allowing manufacturers to focus on product innovation while relying on their distribution partners to

Optical Module Industry Statistics 2026

The optical module industry is facing increasing pressure to reduce its carbon footprint, with 40% of manufacturers targeting net-zero emissions by 2030. Competition in the 400G optical



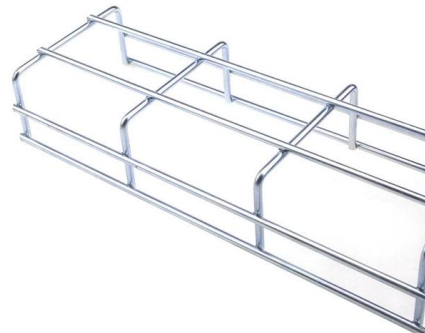
2025 Optical Module Market Share and Demand Report

The 2025 optical communication industry is driven by AI data centers (AIDCs) and 5G rollouts, with high-speed optical modules (400G/800G/1.6T)



Optical Modules Market Size, Growth Trends & Forecast

Access detailed insights on the Optical Modules Market, forecasted to rise from USD 3.5 billion in 2024 to USD 8.2 billion by 2033, at a CAGR of 10.3%.



Active Optical Module Market Report , Global Forecast From 2025 To

The global active optical module market size is poised to grow significantly from USD 3.5 billion in 2023 to an estimated USD 10.8 billion by 2032, reflecting a compound annual growth rate (CAGR) of 13%.



Global Optical Modules Market Outlook, In-Depth Analysis & Forecast

The global Optical Modules market is projected to grow from US\$ 17590 million in 2024 to US\$ 56786 million by 2031, at a CAGR of 15.8% (2025-2031), driven by critical product segments



FTTx Optical Modules Market Size & Share 2026-2032

The FTTx Optical Modules Market is projected to grow by USD 1,292.20 million at a CAGR of 10.53% by 2032.

Global Optical Module Suppliers TOP10 Ranking Changes

Previously Intel had sold millions of Silicon Optics pluggable optical modules to customers, with estimates exceeding 5 million. Overall, the market share and ranking of Chinese



Optical Transceiver Market Size, Share, Trends

The global optical transceiver market size is projected to grow from \$17.15 billion in 2026 to \$46.12 billion by 2034, exhibiting a CAGR of 17.00%



Optical Module Market Size, Competitors & Forecast to

The Optical Module market is a segment of the Optoelectronics industry that focuses on the production of optical components and modules. These components and



Optics Module Market Size, Growth, Market Overview & Forecast 2033

Access detailed insights on the Optics Module Market, forecasted to rise from USD 5.12 billion in 2024 to USD 12.34 billion by 2033, at a CAGR of 10.3%. The report examines critical market trends, key



Optical Transceiver Companies

These companies have employed a variety of growth approaches, such as product launches, partnerships, collaborations, and acquisitions, to compete in the optical transceiver market.



Optical Module Chip Market 2025

This market research report provides a comprehensive analysis of the global and regional Optical Module Chip markets, covering the forecast period 2025-2032. It offers detailed insights into market





Cisco Optics , Transform Your Network

Get the highest quality, performance-leading optical transceivers for any network architecture. Find the transceiver model to fit your network.



Top 10 Optical Module Brand & Manufacturers

This section provides a list of the top 10 Optical Module manufacturers, Website links, company profile, locations is provided for each company. Also provides a detailed product description of the Optical

Optical Modules

The global market for Optical Modules was estimated to be worth US\$ 17590 million in 2024 and is forecast to a readjusted size of US\$ 56786 million by 2031 with a CAGR of 15.8% during



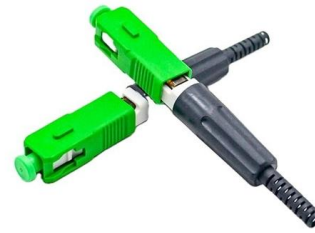
Pluggable Optical Module Market Research Report 2034

The pluggable optical module market was valued at \$9.8 billion in 2025 and is projected to reach \$26.4 billion by 2034, growing at a CAGR of 11.6%.



Optics Transceiver Module Market 2025

Key product categories include single-mode optical modules for long-distance communication and multi-mode optical modules for shorter-range applications. Market growth is driven by surging demand for



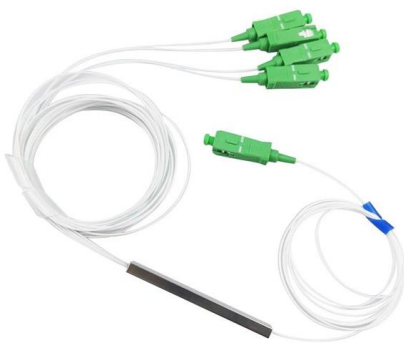
Optical Modules

This report aims to provide a comprehensive presentation of the global market for Optical Modules, focusing on the total sales volume, sales revenue, price, key companies market share and

Latest Ranking of Top 10 Global Optical Module Suppliers

Recently, LightCounting, a well-known market research organization in the optical communication industry, released the latest issue of its market report and updated the TOP10 ranking of global

Various specifications optional



Silicon Photonics Optical Module Market 2025

Silicon Photonics Optical Module Key Market Trends : Increasing Data Center Demand - Growing demand for high-speed data transmission in data centers is



Active Optical Module Market 2025

While Chinese manufacturers dominate volume production, their American and European counterparts maintain leadership in specialized high-performance modules for mission-critical applications. Active



Optical Transceiver Market Size, Share, Analysis 2030

The global Optical Transceiver Market size in terms of revenue was estimated to be worth \$13.6 billion in 2024 and is poised to reach \$25.0 billion by 2029, growing

Optical Modules Market by Type and Application

An optical module is a typically hot-pluggable optical transceiver used in high-bandwidth data communications applications. Optical modules typically have an electrical interface on the side that



For an overseas sales, what should you know about

In the last article, I would like to introduce the usage scenarios of optical modules, which indirectly creates a customer portrait. Only by knowing



Global Optical Modules Market Segmentation Analysis 2026-2033

This research evaluates the key suppliers and distributors in the Optical Modules Market, highlighting the main entities involved in product provision and distribution.



Contact Us

For datasheets, pricing, or custom high-speed optical interconnect solutions, please visit:
<https://www.syropy.com.pl>