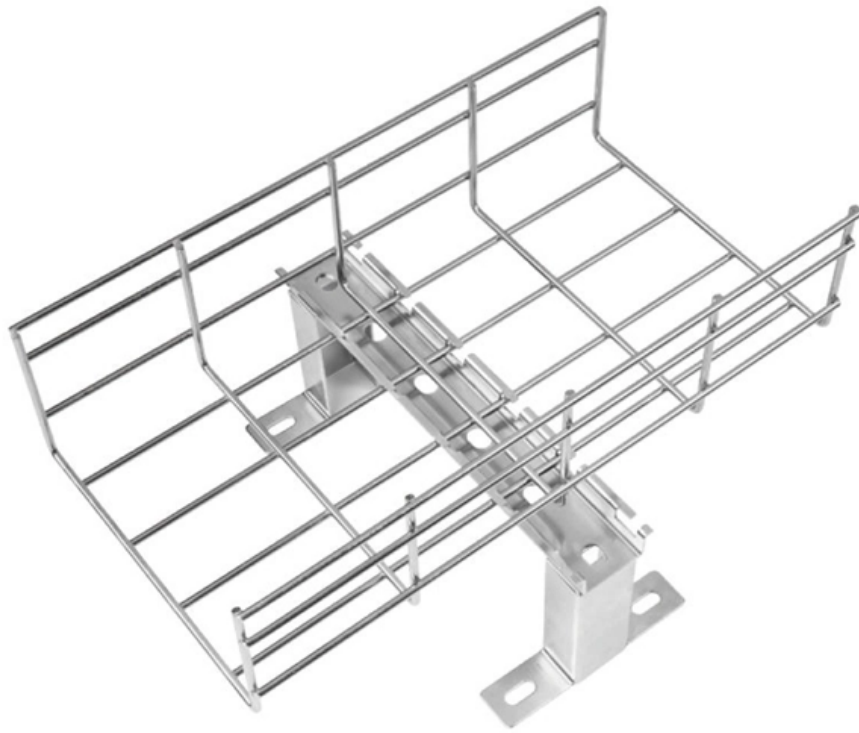


# **Optical module connected to microcontroller**





## Optical module connected to microcontroller

---

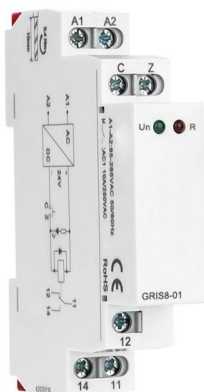
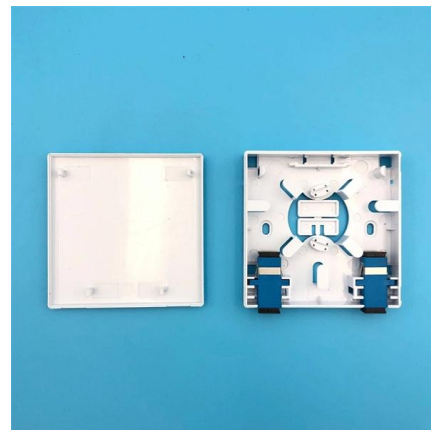


### Microcontroller

A microcontroller (MC, uC, or uC) or microcontroller unit (MCU) is a small computer on a single integrated circuit. A microcontroller contains one or more processor

### Interfacing Arduino Boards with Optical Sensor Arrays:

In this paper, an overview of the potentiality of Arduino boards is presented, together with a description of the Arduino interfacing with light multi



### How a Tiny, Low-Power MCU Meets the Needs of an

This article describes Maxim's microcontroller to design an optical module which is an essential part of fiber optic communication. 5G is a hot topic

### learn to interface microcontroller with fiber optics..

:) hi all..:) :) i feel i made it it is easy to interface microcontroller with optical fibers.. all you have to use is : 1. two fiber optic connector as shown in attachment.. to interface it with serial



### Optical module design resources , TI

View the TI Optical module block diagram, product recommendations, reference designs and start designing.



### How to adapt SFP modul with Cortex-M microcontroller?

Our customer wants to use SFP modules (1000 Base-SX standard) to send some data to a remote computer. As there is only very little data to be transferred (actually no real need for



### GlobalFoundries' Unveils Optical Module Solution Targeting CPO

MALTA, N.Y., May 5, 2026 -- GlobalFoundries (GF) has introduced an optical module solution for co-packaged optics (CPO). According to the company, the Silicon photonics Co-packaged Advanced



## Roc Yu MCU Central FAE Team

TI Optical Module 10G SFP+ Total Solution Roc Yu MCU Central FAE Team ABSTRACT TI 10G optical module SFP+ total solution is a complete demonstrated-working optical transceiver solution targeted



## Optocoupler Interfacing with AVR Pic and 8051

This article will teach you how to interface a microcontroller with an optocoupler. How can you interface AVR, PIC, and 8051 microcontrollers with an optocoupler?

## What embedded protocols can you use for optical

In data centers, optical networks can require up to 75% less energy than copper-based solutions, and the optical connections can deliver higher



## uart

Could someone explain to me how to drive a SFP from a microcontroller? Either (a) a UART-over-fiber using SFP and microcontrollers on both ends, or (b) ethernet



## Embedded Optical Interconnects in PCBs for Ultra High

Anyone that works with optical components and who is looking to

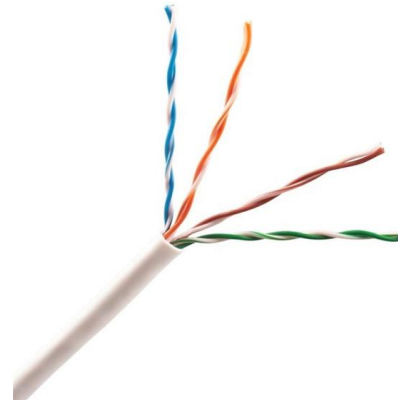


## How MCUs Enhance Optical Transceiver Modules

Discover how microcontroller units (MCUs) support optical transceivers by enabling real-time monitoring, diagnostics-enabled modules (DOM), and

## Your Sustainability Transformation Partner , Fujitsu Global

Our purpose: Make the world more sustainable by building trust in society through innovation.



## Microcontrollers and Fiber Optics , DigiKey

This article looks at issues and concerns engineers face when interfacing microcontrollers and fiber optics. This includes the rudimentary tasks



### Optical Transceiver Market Price Trends 2026: TCO & Risks

As optical modules have evolved from simple transceivers into complex embedded systems, the firmware running on the module's microcontroller has become just as critical as the



### Optical Communication Industry Trends 2026: AI, 800G/1.6T Optical

Explore optical communication industry trends in 2026, driven by AI infrastructure, 800G and 1.6T optical modules, silicon photonics, and next-generation data center connectivity solutions.



### Mixed-signal and digital signal processing ICs , Analog

ADI's optical networking solutions power efficient, compact optical modules for data center, enterprise, and telecom markets. Learn about ADI's extensive power



### uart

Could someone explain to me how to drive a SFP from a microcontroller? Either



## Interfacing Optocoupler with Arduino

Normally, the Gate to Source voltage ( $V_{GS}$ ) of MOSFET or IGBT is greater than 5V so we cannot trigger the gate directly from the microcontroller.



## How to Use Optical Sensor: Examples, Pinouts, and Specs

Learn how to use the Optical Sensor with detailed documentation, including pinouts, usage guides, and example projects. Perfect for students, hobbyists, and

## Microcontrollers For Optical Monitoring

The microcontroller technology enhances optical module performance with monitoring capabilities, interfaces, and programming options.



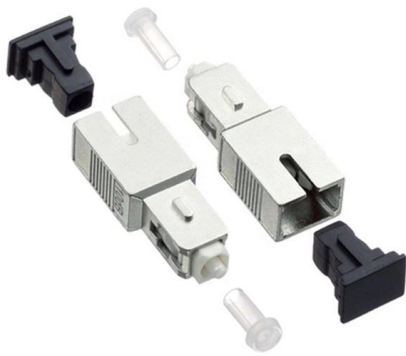
## SFP+ Module Reference Design

This evaluation board is a complete SFP+ module as defined in the SFP+ MSA document. The design uses Micrel's MIC3003 controller, the 10G DFB/FP laser driver SY88022AL, and any of the following



### 800GbE optics shipments to grow 60% in 2025 - report

The datacom optical component market will grow 60%+ to reach over US\$16 billion in revenue during 2025, based primarily on continued growth in



### How to Use Optical Encoder Sensor Module: Examples,

It includes various sensors (tilt, optical encoder, force sensing resistors, and air pressure) connected to an ESP32 microcontroller, which reads sensor data and

### Everything You Need to Know About Optocouplers in

Next, we have a bonus simulation of the actual relay module available in the market. Optocoupler relay circuits provide double isolation



### How to adapt SFP modul with Cortex-M microcontroller?

Our customer wants to use SFP modules (1000 Base-SX standard) to send some data to a remote computer. As there is only very little data to be transferred (actually no real need for gigabit),



## Contact Us

---

For datasheets, pricing, or custom high-speed optical interconnect solutions, please visit:

<https://www.syropy.com.pl>