



Syropy AI Connectivity

Optical Pit Measurement Module



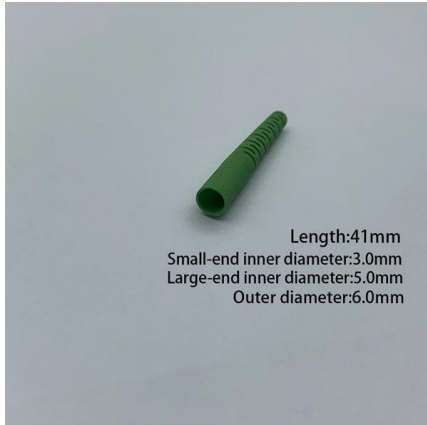


Overview

The Optical Depth Micrometer is a visual inspection microscope designed to make quick, accurate and repeatable measurements of the depth of small surface features, like pits and scratches. Upside-down Inspection - Freedom to scan anywhere, magnetic arms and a rotating digital indicator mean inverted scanning is a snap. (Applies only to PGG002) IP67 - A rugged dust and water resistant tool that performs in harsh. The 4D InSpec Surface Gauge is the first handheld, precision optical profiler for non-contact surface defect measurement. The technique of the Non Contact Profilometer provides an ideal, broad and user friendly capability to maximize surface studies when pitting analysis will be needed; along with the benefits of combined 2D & 3D capability. The 4D InSpec is gage-capable for measuring defects such as nicks, scratches, and pits, and fine-scale features such as edge break, chamfer, and rivet depth.



Optical Pit Measurement Module

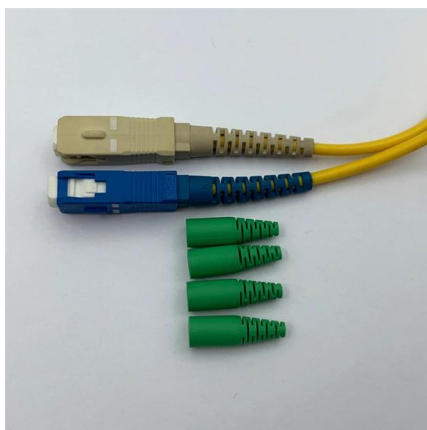


Pitting Corrosion Measurement Using 3D Profilometry

In this application the Nanovea ST400 Profilometer is used to measure the surface of a corrosion pitted stainless steel coupon. The area measured was selected at random, and assumed large enough in

Optic Disc Pit Maculopathy , Springer Nature Link

Optic disc maculopathy treated with vitrectomy with internal limiting membrane peeling. (a) The round optic disc pit is noted in the fundus photograph at the presentation. (b) Serous



Gauges

Pit Gauges Filters Manufacturer Chadwick 8400K
Digital Optical Depth Micrometer NDT Pocket
Digital Pit Gauge NDT DPG-4M Pit Gauge &
Magnetic "V" Groove

Optical inspection methods for assessing fiber endface workmanship

With faulty optical connections a primary cause of network failures, fiber endface inspection is critical. Three methods of endface inspection are reviewed in this article.



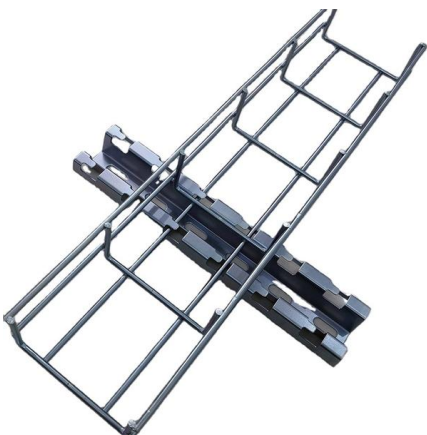
PIT GAGE

Measure surface variations with precision and ease. The PIT GAGE is an essential tool for manual pit inspection. Each kit includes two or four non-magnetic



Vt1000 Pitting: A Complete Guide to Detecting and

After preparation, the surface is examined using optical magnification, sensors, or imaging systems to detect irregularities. Some VT1000 systems are



Gauges

AUT Solutions Pit and Dent Gauge Kits Affordable, Lightweight & Durable The AUT Solutions Pit and Dent Gauge is a simple and rugged tool for measuring pits,



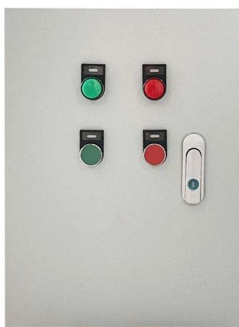
PITTING CORROSION MEASUREMENT USING 3D

To advance our understanding of pitting corrosion, it is critical that standardised detection methods are established to measure key pitting



Figure 1. CD/DVD/Blu-ray disc data pit, pitch, and laser

Download scientific diagram , CD/DVD/Blu-ray disc data pit, pitch, and laser spot dimensions. 14 from publication: Hacking CD/DVD/Blu-ray for Biosensing , The



Optimizing Quality: A Comprehensive Guide to Optic Surface Inspection

Optimizing Quality through Optic Surface Inspection The goal of optic surface inspection is not just to detect surface defects but also to optimize the quality of the optic components. This



Digital Pit Gauge: A Comprehensive Guide

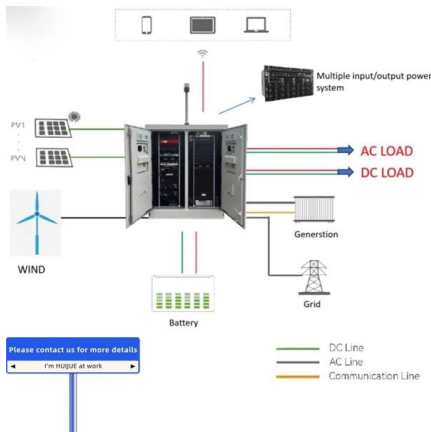
Are you in the market for a reliable and accurate tool to measure pit depths on metal surfaces? Look no further than a digital pit gauge. In this guide, we will explore what a digital pit gauge is, how it works,





Optical Profiler InSpec Surface Gauge

The 4D InSpec Surface Gauge is the first handheld, precision optical profiler for non-contact surface defect measurement.

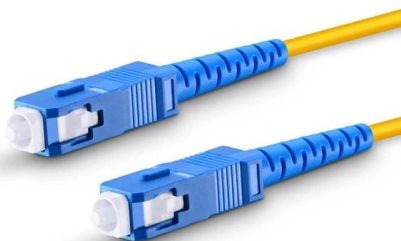


Structure and Clinical Significance of Central Optic Disc

To assess the structure of central optic disc pits (ODPs) using enhanced-depth imaging optical coherence tomography (EDI OCT) and to ascertain their clinical

Foveal Pit Morphology Characterization: A Quantitative

Of particular interest is the foveal pit, a concave depression located at the center of the retina that captures light from the gaze center. In recent years,



OPTIC PITLIKE MACULOPATHY WITH CLINICALLY

The main outcome measure was the detection of an occult pit in OOPM. Results: Forty-seven eyes (46 subjects) with pitlike maculopathy without



The challenges of visual inspection

Introduction ions, and with different operators. The 4D InSpec is gage-capable for measuring defects such as nicks, scratches, and pits, and fine-scale features such as edge break, chamfer, and rivet

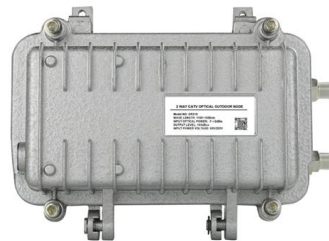


GelSight , Tactile Sensing , Pit Detection / Corrosion

GelSight Mobile(TM) provides immediate 3D visualization and precision measurement of pitting and early corrosion on any surface, regardless of material type or

Optical Depth Micrometer

The Optical Depth Micrometer is a visual inspection microscope designed to make quick, accurate and repeatable measurements of the depth of small surface features, like pits and scratches.



Deformation monitoring and remote analysis of ultra-deep

When compared with the traditional measurement method, this monitoring technology allows real-time monitoring of the lateral displacement of deep soil and can also measure the strain



Quantification and assessment of steel pitted corrosion using optical

Distributed fiber optic sensors (DFOSs) based on optical frequency domain reflectometry (OFDR) offer high spatial resolution, distributed sensing ability, and environmental resistance,



Pit Gauge for Measuring Corrosion , Advantage NDT

A Pit Gauge is used to measure pits, they come in all different styles from Lever, Standard Pit Gauges, Bridging.



PIT GAGE

Take advantage of the advanced PIT GAGE features such as magnetic arms, rotating digital indicator, IP67 rating and a one inch stroke, to enhance the operator experience and efficiency.



Multiscale Statistical Analysis of Massive Corrosion Pits Based on

In the present study, a new multiscale method is proposed for the statistical analysis of spatial distribution of massive corrosion pits, based on the image recognition of high resolution and





Open Pit Instrumentation & Monitoring

Open Pit Instrumentation & Monitoring variety of locations and environments. We can perform all aspects of a successful measurement or monitoring project from design and planning to implementation, data

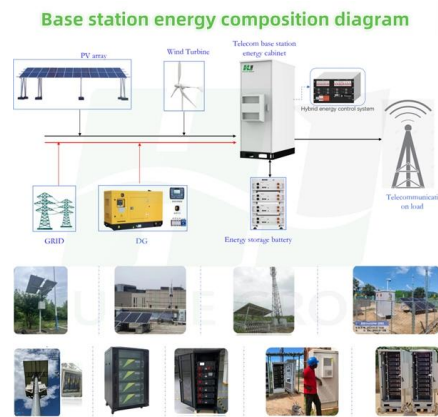


Gauges

NDT Pocket Digital Pit Gauge Pocket Digital Pit Gauge with 4 Different Base Options Overview The The NDT DPG Series Pocket Digital Pit Gauge is designed for accurate measurement of pits, gouges,

Pit Gage , Otextndt

Otextndt Measure surface variations with precision and ease. Offering a rotating digital display and multiple configuration lengths, the PIT GAGE is the essential



Digital Basic Pit Gauge Tool for Corrosion and Material

The N88-2 Digital Pit Gauge is perfect for professionals who require an accurate, reliable, and easy-to-use tool for monitoring and measuring material degradation



Product Information

The Optical Micrometer measures depth of scratches, cracks, blind holes, corrosion, dents and pits in all materials. In transparent materials (ie. acrylic, glass, plexiglass), the instrument is used to measure



Depth of pits measured by optical microscope.

Download scientific diagram , Depth of pits measured by optical microscope. from publication: Pitting Corrosion of Natural Aged Al-Mg-Si Extrusion Profile , With

Pit Depth Measurement

What Does Pit Depth Measurement Mean? Pit depth measurement is an important prerequisite of corrosion inspectors. In this type of measurement,



Contact Us

For datasheets, pricing, or custom high-speed optical interconnect solutions, please visit:
<https://www.syropy.com.pl>