

Optical Coupler Shielding Module





Optical Coupler Shielding Module



A Review of Optical Coupler Theory, Techniques, and

optical couplers. Coupling at optical frequencies presents challenges to achieving high efficiency, compactness, high fabrication tolerance, and ease

Fused Couplers , OEM Optical Communication Solutions , Corning

Our ultra-low polarization dependent loss couplers offer low levels of sensitivity to polarization, enable more effective monitoring and management of optical networks. These couplers are available in a

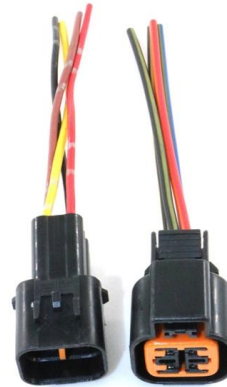


Optical Coupling Modules

The coupling module array is specifically designed for multi-channel applications. Our patent pending technology enables an unprecedented, stable optical performance

double-shielded optical couplers , Electronics Forums

Does anyone know of any double-shielded optical couplers with higher maximum output-slew-rate specs than the common wimpy 15kV/us rating? Background: Optical couplers are rated for



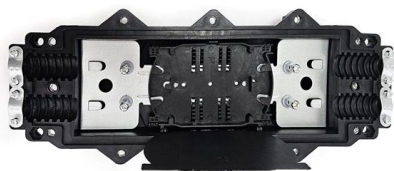
Optical Coupler

Optical coupler is a semiconductor device, which is designed to transfer electrical signals by using light waves in order to provide coupling with electrical isolation between circuits or systems.



What Is Fiber Optic Coupler and How Does It Work?

Fiber optic couplers are used to split or combine optical signals in optical fiber systems. It contains various types like optical splitters, optical



US20160266340A1

Optical Splitters for Central Office/Headend

CommScope offers a portfolio of bare and connectorized splitters/couplers in a wide range of styles and split ratios, and splitter modules for inside plant (ISP) and



An example embodiment includes a pluggable active optical cable product configured to maintain engagement of an optical interface included in an optoelectronic module. The pluggable active



Wideband Optical Couplers

Wideband optical couplers split or couple optical power in two wavelength regions while maintaining a very broad operating bandwidth.

SSZT391 Technical article , TI

You should now have some insight into differences between optical isolation and silicon-based isolation performance, and the role of materials, manufacturing and



Isolators , DigiKey

Optocouplers are ideal when electrical isolation is required between control and power stages. For example, in industrial environments where PLCs or



What is an optoisolator and how does it work?

What is an optoisolator (optical coupler or optocoupler)? An optoisolator (also known as an optical coupler, photocoupler, optocoupler) is a



EMI Coupling Paths and Mitigation in Optical Transceiver Modules

Optical modules, as a typical type of gigahertz radiator, are studied in this chapter. First, the dominant radiation modules and EMI coupling paths in an explicit optical module are analyzed

Build your own Optically Isolated 8 DI Arduino Shield

An easy to build DIY Arduino shield the provides 8 optically isolated digital inputs, capable of accepting 3v to 32v DC.



Insulated Shields with Optocouplers (I) (MIC005E)

4. Optical Shield with the 4093 The sensor is an optical coupler with a LED and a phototransistor. In a shield the LED is driven by the microcontroller and not as it



8 ch Opto Isolator board 5-24VDC in, 3.3-5VDC out

Safely connect 5-24V signals to your Raspberry Pi, Arduino, or 3.3V/5V device. Fully isolated. Also great for level shifting 5V to 3.3V.

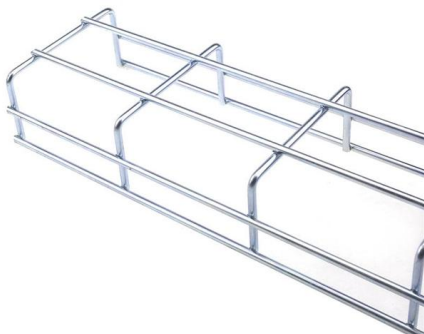


A Review of Optical Coupler Theory, Techniques, and Applications

The theory of coupling between different media is well-established, however the field of coupler design is perpetually adapting and developing to meet the evolving demands of optical communication

Fiberdyne Labs, Inc. Coupler/Splitter Modules

Select from 19 Inch Rack Mount Modules, Lucent LGX compatible modules & Reduced Splice Tray modules. Select 1x2 to 1x32 outputs with the wavelengths



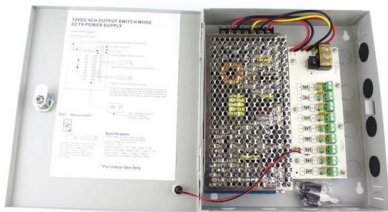
Understanding Optical Coupler and Optical Splitters

Bandwidth coupler and splitters are some of the most important passive devices which are widely used in a number of applications for improving



Optical Components and Modules

Optical passive components from individual isolators, couplers and PM components, to multi-function integrated components such as isolator with WDM, isolator with PM Beam Combiner, and circulator.



Fused Fiber Optic Couplers / Splitters

Our SM and double-clad fiber coupler offerings also include a selection of components ideal for OCT applications.

Fiber Optic Couplers

Fiber coupler devices are key optical components used within modules and systems and also passive optical access networks, to enable efficient long-distance signal transmission, monitoring,



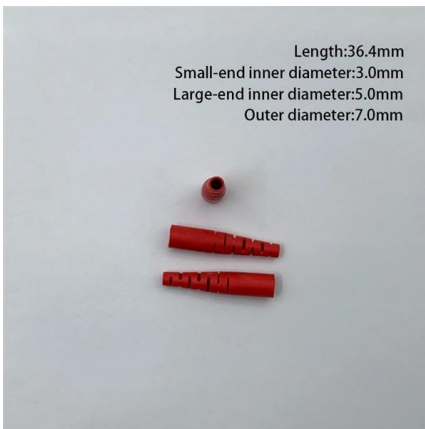
Internal Faraday Shield and Small Ci-o Friendly

Internal Faraday Shield and Small Ci-o Friendly Optocoupler Galvanic Isolation Performance This article highlights Broadcom isolation technologies,



1xN,2XN SM FBT coupler module

The 1xN,2XN SM FBT coupler module from Shanghai Fsp Photonics Technology is a Fiber Optic Coupler with Excess Loss 0.3 to 0.78 dB, Insertion Loss 6.3 to 17.5



2-channel 2 way 5V Relay Shield Module with

2-channel 2 way 5v relay shield module with opticalcoupler protection for arduino arm pic avr dsp A two channel 5V relay module with 2x normally

Optical Coupler

6.1.2.3 The optical coupler Due to the circuit cannot support the large load voltage, an optical coupler is used to protect the controller from burning out. Optical coupler is a semiconductor device, which is



Product Catalog



Optocouplers and silicon-based galvanic isolation technology how do

Both the input and output of an optocoupler isolator require separate voltage supplies connected through the anode and collector pins, and separate grounds typically connected at the cathode and emitter



Build your own 8 DI Optically Isolated Arduino Shield - Part 1

This chip provides complete isolation between your device and the Arduino or other microprocessor. It does that by using infrared light to transmit the signal. Light, as we all know, does



Contact Us

For datasheets, pricing, or custom high-speed optical interconnect solutions, please visit:
<https://www.syropy.com.pl>