

Optical Coupler 2028





Optical Coupler 2028



A Review of Optical Coupler Theory, Techniques, and

optical couplers. Coupling at optical frequencies presents challenges to achieving high efficiency, compactness, high fabrication tolerance, and ease



Optical Coupler

Optical coupler is a semiconductor device, which is designed to transfer electrical signals by using light waves in order to provide coupling with electrical isolation between circuits or systems.

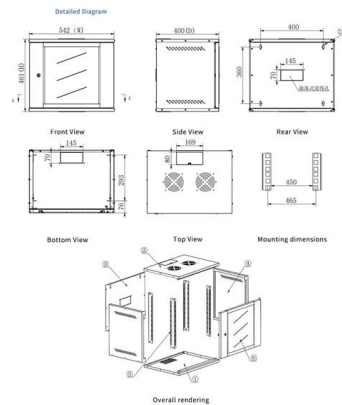
Buy fiber optic couplers from the experts

Fiber optic couplers - Solutions for your network requirements Your expert for first-class fiber optic couplings Fiber optic couplers are indispensable for stable and



Optical Tap Coupler, 1x2, 20:80 SMF , Kingfisher International

Optical Tap Coupler, 1x2, 20:80 SMF OPT750
Optical Coupler, 1x2, 20:80, 1310-1490-1550 nm
USD \$58.11 In Stock Overview Docs & Support Applications



Optical Coupler

6.1.2.3 The optical coupler Due to the circuit cannot support the large load voltage, an optical coupler is used to protect the controller from burning out. Optical coupler is a semiconductor device, which is

Fiber Optical Coupler Market Report , Global Forecast From

As companies continue to shift towards cloud-based solutions and edge computing, the need for advanced fiber optic solutions, including optical couplers, is expected to rise sharply. The increasing



Silicon photonics and co-packaged optics at the heart of

While linear-drive pluggable modules remain competitive, CPO is expected to offer unmatched customization and scalability, with large-scale



Introduction of Optical Fiber Couplers and How Do They Work?

What are optical fiber couplers? A fiber optic coupler can be defined as an optical component used with one or more input fibers and several output fibers in fiber optic systems. A

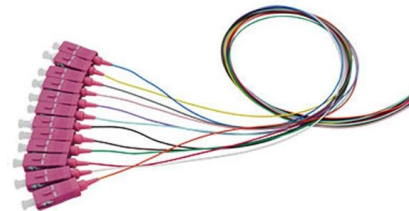


A Review of Optical Coupler Theory, Techniques, and Applications

The theory of coupling between different media is well-established, however the field of coupler design is perpetually adapting and developing to meet the evolving demands of optical communication

Fiber Optic Couplers

Fiber coupler devices are key optical components used within modules and systems and also passive optical access networks, to enable efficient long-distance signal transmission, monitoring,



opticalCON® Coupler

Our opticalCON® couplers are designed to extend the range of your existing opticalCON® connection. Thanks to our wide variety of opticalCON® couplers



Fiber Optical Coupler Market Size, Global Forecast to 2028

The Fiber Optical Coupler market in Asia Pacific region is expected to grow at significantly high growth rate. The regional market is further sub-segmented and analyzed at granular level across key countries.

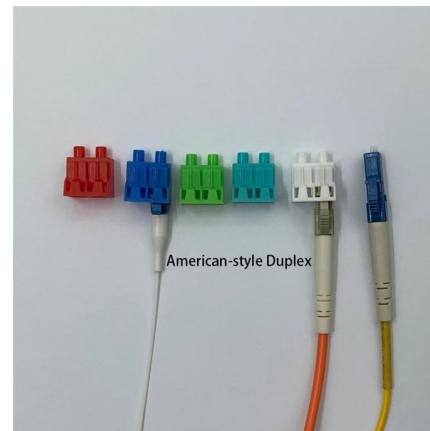


Fiber Couplers - optical fiber

Within the resonator of a fiber laser, a dichroic fiber coupler can be used to inject pump light, and another fiber coupler can be used as the output coupler. This

Fiber Optical Coupler Market Size, Global Forecast to 2028

Latest Industry Overview On Fiber Optical Coupler Market At Eternity Insights, Market Research Reports, Size, Share, Growth, Trends, Demand, Company Profiles And Industry Analysis, Estimates



Optocoupler Basics: Definition, Types, and Features

An optocoupler is a coupling device used to couple optical signals. It's primarily employed to combine and split signals in optical networks, and it's also referred to



Global Perspectives on Optical Coupler (OC) Growth: 2026-2034

Discover the booming optical coupler market forecast to 2033! This in-depth analysis reveals key drivers, trends, and restraints shaping the \$4.2B industry, including data transmission,



Fiber-optic couplers Market Forecast, Trend Analysis & Competition

In recent past, the fiber-optic couplers market has witnessed rapid technological advancements, such as terminal connectivity on a network, etc. These advancements in fiber-optic couplers are projected to

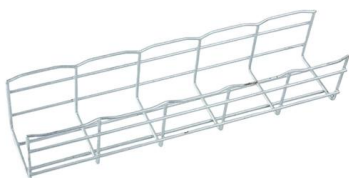
Edge Couplers in Silicon Photonic Integrated Circuits: A

Optical interconnects is an important issue in silicon photonic integrated circuits for transmitting light, and fiber-to-chip optical interconnects is



What is a Fiber Coupler and How Does It Work?

A Fiber Coupler, also known as a fiber optic coupler, is a crucial optical device used in fiber optic systems. It functions to couple light from one or





Fiber Optic Coupler Market Future Aspects 2030

Over the projected period, the worldwide Fiber-optic couplers market is expected to rise significantly. Increased demand for networking devices and high-speed



What Is Fiber Optic Coupler and How Does It Work?

Fiber optic couplers are used to split or combine optical signals in optical fiber systems. It contains various types like optical splitters, optical

Lightning speed on the data highway optical data couplers for 100

Fast Ethernet optical data coupler Alternative to Wi-Fi, which has signal attenuation around metal and inconsistent transfer rates Consistently high data rate of 100 Mbit/s, regardless of transfer distance



Couplers / Splitters for fiber optic connectivity by AFL.

Couplers / Splitters by AFL include Planar lightwave circuit splitters, LGX optical couplers, wideband couplers, ruggedized couplers and FTTx video modules.



Optical Coupler (OC) Market Outlook 2024-2033: Trends

Optical Coupler (OC) Market Revenue was valued at USD 2.56 Billion in 2024 and is estimated to reach USD 4.

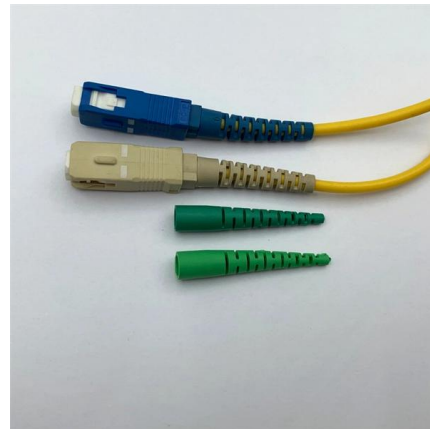


Optical data coupler LS682-DA-EN/F2/35

Function The optical data coupler serves as a connection of Ethernet modules to remote modules. These can move along an axis toward each other. The devices are optimized for conditions in high

Fiber Couplers - optical fiber

Fiber couplers are fiber devices for coupling light from one or several input fibers to one or several output fibers, or from free space into a fiber.



Contact Us

For datasheets, pricing, or custom high-speed optical interconnect solutions, please visit:
<https://www.syropy.com.pl>