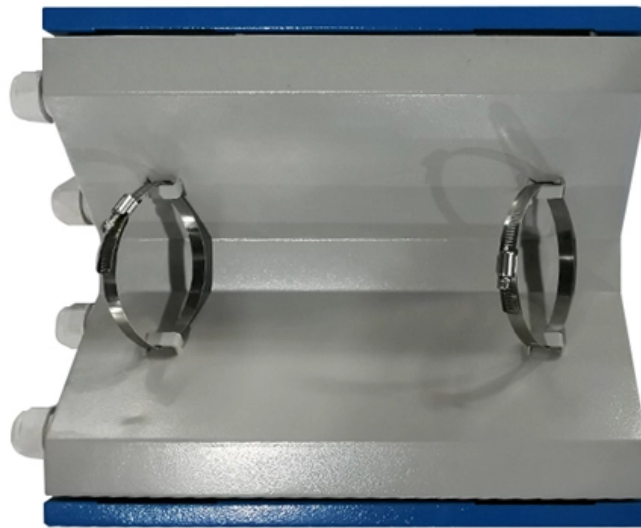


Optical Cable Sheath Improvement





Optical Cable Sheath Improvement



Polyethylene (PE) optical cable sheath material: performance

Polyethylene (PE) optical cable sheath material is an outer protective material designed for optical fiber cables, with excellent mechanical strength, weather resistance and insulation properties.

3 Fiber Optic Cable Sheathing Requirements

As a part of fiber optic cable, the fiber cable sheath is important for the cable performance. Therefore, make sure a standard and high quality fiber optic cable manufacturing is also important for



4.5-29mm Round Optical Fiber Cable Stripper cable sheath Slitter

1 4.5mm-29mm Cable Stripper. The Cable Sheath Can Be Peeled Horizontally And Vertically. Triple Action Design Because It Can Perform Longitudinal Cutting For End Stripping, Spiral Cutting For End

Innovative Sheathing Line Techniques for Next-Gen Cables

Incorporating a sheathing line in manufacturing workflows fortifies the durability of FTTH cables, ensuring they meet the demands of everyday usage. The integration of advanced equipment



The Importance And Selection Of Outer Sheath

Why is the outer sheath of fiber optic cables important? What are the materials available? Fiber optic cables are generally composed of fiber optic



WO2022110660A1

The invention relates to the field of optical cable sheathing materials, and more particularly, to a low-shrinkage polyethylene optical cable sheathing material and a preparation method



Indoor optical fiber cable outer sheath material

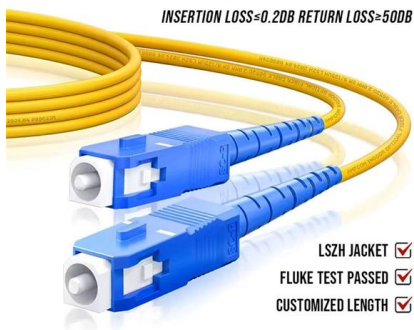
Indoor fiber optic cables are an essential component of modern telecommunications infrastructure, providing fast and reliable data transmission within buildings and other indoor





Sheathing Types

Sheathing opacity controls the effects of outside light, and any light leaking from the fiber to optimize the application effect. When designing the part, understanding the end application will help select the



Fiber optic cable outer sheath material

Fiber optic cable with sleeve material. Select fiber optic cables of different materials according to the layout area. Generally speaking, Plenum fiber optic cables are suitable for use in

Cable Jacket Material: How to Choose

Cable Jacket Material Comparison Both network cables and fiber optic cables have different cable jackets to choose from. Each type of sheath has



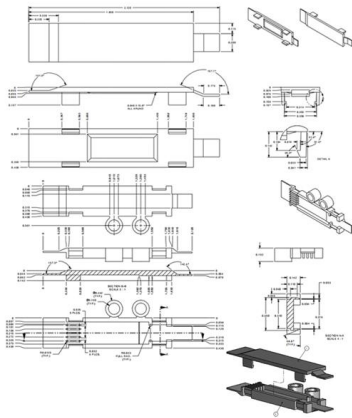
Sheathing Lines: Ensuring the Durability of Fiber Optic Cables

Methods from the optical fiber second-layer coating system and the sheathing line are pivotal in optimizing production. These approaches not only bolster the resilience of the optical cable



Fiber-optic cable

Fiber-optic cable A TOSLINK optical fiber cable with a clear jacket. These cables are used mainly for digital audio connections between devices. A fiber-optic cable,

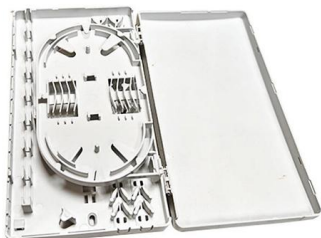


Cruiser Optical Cable Sheath Cutter KMS-K Cable Longitudinal

kms-k longitudinal optical fiber / split sheath / stripping pliers / Description Tool for longitudinal tenons plastic cable sheaths with different thicknesses. Applicable either at the beginning or in the middle of

24 Core ADSS Optical Fiber Cable

Explore detailed specifications and price-influencing factors of 24 core ADSS optical fiber cables. Learn how span length, fiber type, sheath, and installation conditions affect pricing.



The Importance And Selection Of Outer Sheath

Fiber optic cables are generally composed of fiber optic cores, cladding, coatings, reinforced components, and outer sheaths. The outer sheath

18 Cable Sheath Materials Explained



Cable Sheath Materials - Complete Guide (Types, Characteristics & Applications) Whether you are designing and manufacturing a new cable or



Mastering Optical Cable Sheath Extrusion: Essential Setup Insights

An efficient optical cable sheath extrusion line is essential for producing reliable cables for telecom and ISP projects. This guide provides insights into equipment needs, setup processes,

Selection of the Correct Optical Cable Outer Jacket for the Application

Introduction This Cable Jacket Selection Note is intended to provide the reader with an organized selection methodology when selecting the optimum optical cable for a specific application. Sheath



Design of Control System for Optical Cable Sheath Production

Firstly, using the literature research method, the composition of the optical cable sheathing production line and the cable sheath diameter control system are described, and the shortcomings of the



Preparation process and insulation performance analysis of new

Therefore, a new type of optical cable sheath has been studied and prepared. This sheath is suitable for optical cable systems with voltage levels of 10 kV and below, and can meet the



Fiber Optic Cable Sheath and Water Barrier - Fosco Connect

Fiber Optic Cable Sheath and Water Barrier Fiber optic cable is normally covered with a substantial outer plastic sheath in order to reduce abrasion and to provide the cable with extra protection against



The Role of Sheathing Lines in Modern Cable Production

From fiber preparation to cable sheathing, learn into each step of the production process, and comprehend the importance of precision and quality



Optical Cable Sheath Market Size, Share, Trends & Forecast

Gain in-depth insights into Optical Cable Sheath Market, projected to surge from USD 10.5 billion in 2024 to USD 15.2 billion by 2033, expanding at a CAGR of 4.8%. Explore detailed market trends,

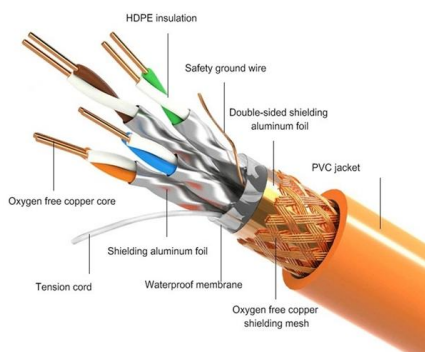


Mastering Optical Cable Sheath Extrusion: Essential Setup Insights

Setting up an optical cable sheath extrusion line is a critical step in manufacturing robust optical cables designed to withstand environmental stress and ensure reliable signal transmission.



PRODUCT DETAILS



Common Defects And Prevention Of Outer Sheath In Optical Cable

For injection-molded cable products such as optical cables, surface defects are a common product quality problem. There are many types of defects, and common cable surface defects

Contact Us

For datasheets, pricing, or custom high-speed optical interconnect solutions, please visit:
<https://www.syropy.com.pl>