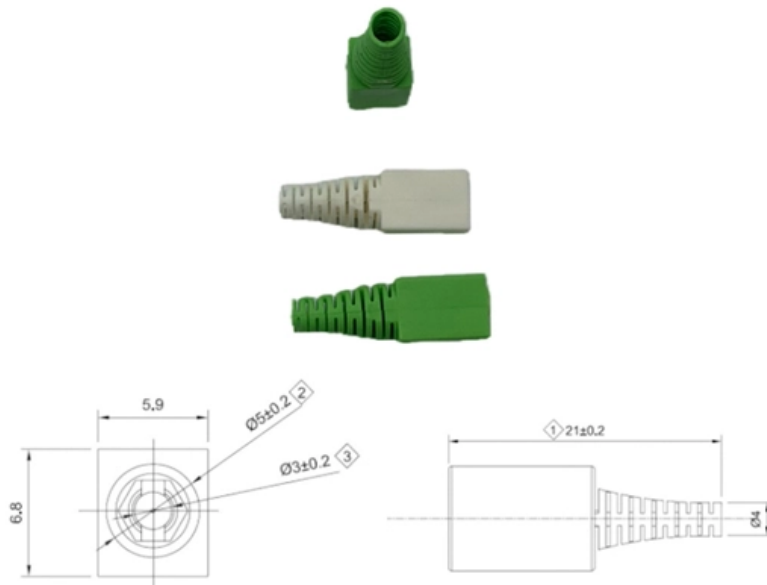


# Optical Cable Production Cycle





## Optical Cable Production Cycle

---



### Optical Cable Manufacturing: A Deep Dive into the Process

Explore the optical cable manufacturing process. Learn about raw materials, fiber drawing, cabling, and quality control in modern optical cable

### Lifecycle Management Recommendations for Fiber

Proper lifecycle management ensures reliability, cost-effectiveness, and minimal environmental impact (2). In this article, we'll delve deeply into actionable



### Steps in Fiber Optic Cable Manufacturing Process

Explore the intricate steps and materials in fiber optic cable manufacturing process. Learn about cable testing methods and quality control.

### Fiber Broadband Scalability and Longevity

A quality fiber optic cable manufacturing process adds the proper strength elements and a protective polyethylene outer jacket that together protect the optical fiber from the environment and excessive



### Life Cycle Management Solutions for Fiber Optic Networks

Life Cycle Management Solutions for Fiber Optic Networks Helping you stay connected longer  
Fiber Optic NetWORks Fiber optic cable use has experienced tremendous growth worldwide, with



### The Complete Guide to Fiber Optic Cable Manufacturing: Powering

The journey begins with preform production, a critical phase demanding absolute precision. Using state-of-the-art equipment, manufacturers create the glass preform that will



### Life cycle considerations about optic fibre cable and copper cable

Optic fibre cable and copper cable are important media for data transfer, the latter especially for shorter distances. However, the environmental implications of this facility are rarely





## Fiber Optic Cable Lifecycle Guide

Fiber optic cables are a critical component in modern networks, with their performance directly affecting the stability of data centers and enterprise networks. Effective lifecycle management



## The Complete Lifecycle Guide to Fiber Optic Cables: From Planning to

Discover the full lifecycle of fiber optic cabling -- from infrastructure planning and high-performance selection to long-term maintenance strategies. Achieve maximum ROI and network



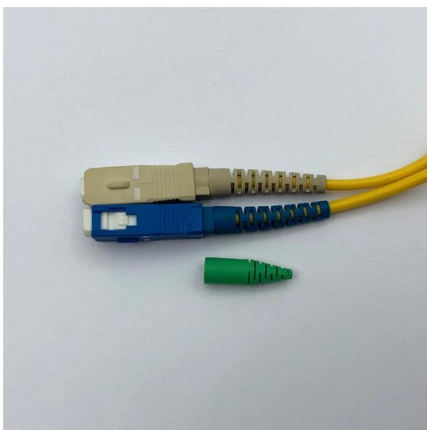
## Fiber Optic Cable Manufacturing Process: How They Are Made

Discover how fiber optic cables are made, from silica preforms to final testing, and explore their key applications across telecom, industry and smart cities.



## Fiber Optic Cable Manufacturing Process: How They

In this blog, we'll take a closer look at the step-by-step fiber optic cable manufacturing process, the materials used, and why these cables are so





## Fiber Optic Cable Production: A Complete Overview

Fiber optic cable has revolutionized the world of telecommunications and data transmission, offering unprecedented speed, bandwidth, and signal integrity. As



## Optical Fiber Cables

The development of optical communication systems is inseparable from the role of optical fiber, and also puts higher requirements on the performance of optical fiber. This chapter focuses on

## Fiber Optic Project Management

Those Project Management Process Groups fit into the three (3) main phases of the project lifecycle. This paper discusses how standard project management processes apply to fiber optic cable plant



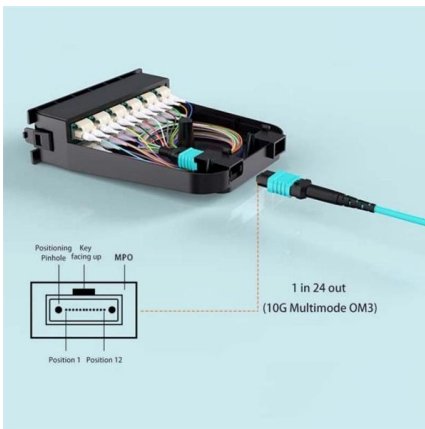
## 2025 Fiber Optic Cable Production Market Report

The Fiber Optic Cable Production Market Report includes 100+ data sets covering industry statistics, trends, forecasts, market size, financial metrics, industry



## How Millions of Meters of Optical Fiber Cable Are Made - Fiber Optic

How Millions of Meters of Optical Fiber Cable Are Made - Fiber Optic Cable Mass Production Line Did you know that the backbone of today's internet isn't satellites in space, but millions of



### Three Important Steps Of OPGW Optical Cable Production Process

3. Mature OPGW optical cable stranding technology The key to the OPGW optical cable stranding process lies in the control of armored monofilament pay-off tension, pre-forming, mold,

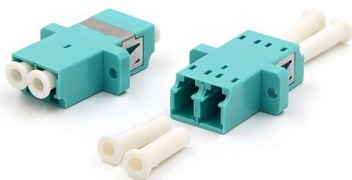
## How are fiber optic cables made? , C& C Partners

In this article, we will provide details about the various stages of production and the technologies used. The fiber optic manufacturing process begins with the preparation of long glass tubes. After being



### Fiber Optic Cable Manufacturing Process: How They

Fiber optic cables are the backbone of today's high-speed internet, telecommunication systems, and data transfer technologies. Unlike traditional





## Optical Fiber Manufacturing: From Preform to Final Fiber

In this guide, we break down the two core stages of optical fiber manufacturing: preform production (shaping the precursor material) and fiber



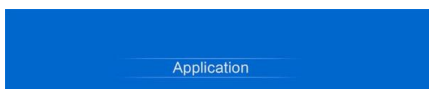
### Overview of optical fibres standardization

3. Conclusion Optical fibres are characterized by many parameters, some of which are subject to standardization, as well as the associated characterization methods. Compliance with this normative



### Fiber Optic Cables -- Design Life-Cycle

This essay examines the life cycle of Optic Fiber cables and the energy sources used in each step to understand the environmental implications



### Advancing Optical Cable Production Lines: Automation, Quality

Conclusion As global broadband speeds approach 10Gbps symmetrical, optical cable production lines must evolve beyond traditional manufacturing paradigms. The fusion of precision



## The Complete Guide to Fiber Optic Cable Manufacturing: Powering

Inside the Manufacturing Process: From Raw Material to Finished Product Preform Production  
The journey begins with preform production, a critical phase demanding absolute



## Contact Us

---

For datasheets, pricing, or custom high-speed optical interconnect solutions, please visit:  
<https://www.syropy.com.pl>