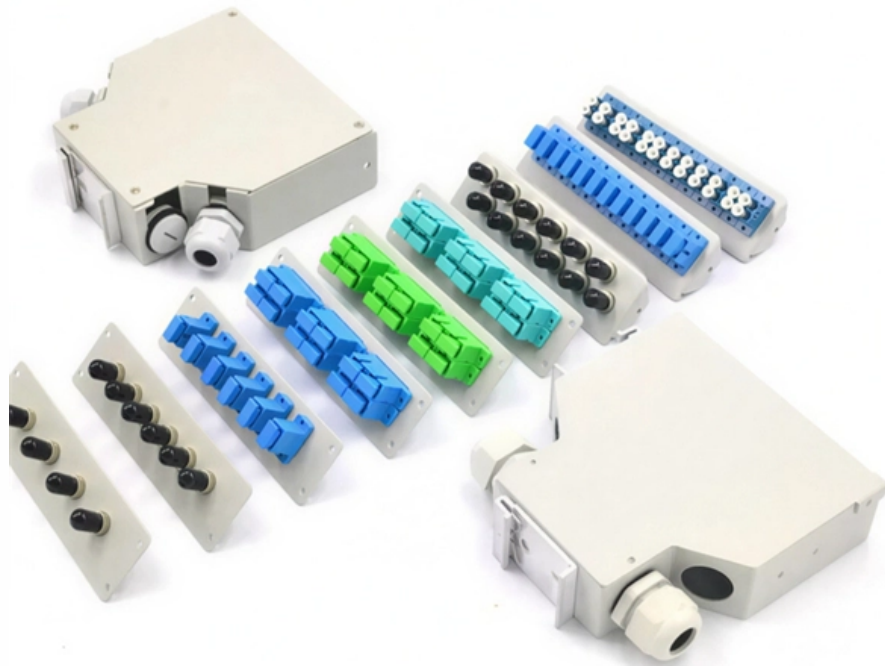


# Opgw fiber optic cable clamp





## Opgw fiber optic cable clamp

---

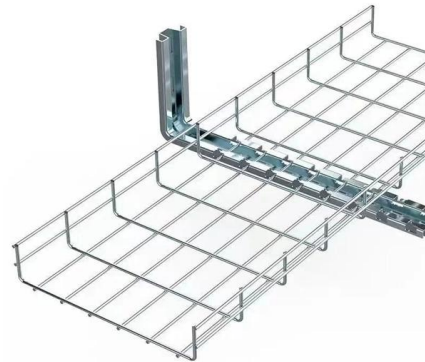


### Overhead Line Hardware & Accessories , Global OHL

We offer a full range of AB Cable (Aerial Bundled Cable) accessories and fittings which conform to NFC and IEC standards. These products are available for all

### Bonding Clamps for OPGW

The Bonding Clamp is used to ground OPGW to the tower by attaching to the tower grounding wire. Specific requirements vary from one utility to another. The



8-Port PLC Fiber Splitter Box

12-Port SC Fiber Splitter Box

Size: 235\*215\*75mm  
Material: ABS, IP65,



### Fiber optic cabling vibration damper

Shop high-quality fiber optic cabling vibration dampers for reliable performance. Find durable, UV-resistant options from top suppliers. Perfect for ADSS and OPGW cables.

### Iyini ikhebula le-ADSS? Umhlahlandlela Ophelele We-Aerial Fiber (2026)

Kuma-ISP kanye nama-Power Utilities, i-ADSS "iyi-Magic Cable." Kungani? Ngoba ikuvumela ukuthi uhlanganise izintambo fiber imigqa yedatha ye-optic emibhoshongweni enamandla aphezulu ekhona



### OPGW CABLE ACCESSORIES

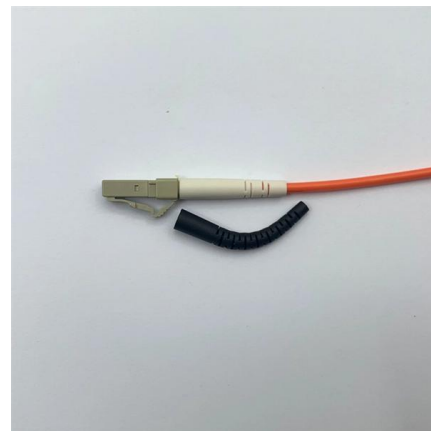
Assembly with reinforced suspension clamp and neoprene inner covering, especially designed for OPGW cables. Includes grounding clamps for tower connection.

LoRawan outdoor base station



### Standard ADSS Fiber Optic Cable

AFL's ADSS (All-Dielectric Self-Supporting) fiber optic cable is designed for aerial installation without the need for messenger wire. Lightweight, non-metallic, and



### FIBERLIGN® Cushion Clamp

FIBERLIGN® Cushion Clamp The FIBERLIGN® Cushion Clamp uses a combination of structural reinforcing rods (SRR) and elastomer inserts at the ends of the





## Single Suspension Clamp for OPGW Cable-Feiboer Fiber Optic Cable

Inner Preformed Rods, which are directly wrapped outside of the cables and gripped by Rubber Insert, to provide protection and hardness strength for the cables. Outer Preformed Rods are gripped by



## OPGW CABLE ACCESSORIES Manufacturer & Supplier in Belgium

OPGW CABLE DOWN LEAD CLAMP: A downlead clamp is used for fiber optical cable terminal and following-tower area, fix the fiber optical cable on the pole downloading from pole and tower.

## Bonding Clamps for OPGW FIBER OPTIC CABLE HARDWARE

Bonding Clamps for OPGW Features Hardware is high strength aluminum Clamp grooves are coated with NO-OX-ID and prefilled with Alnox. Recommended bolt torque: 25 ft.-lbs.



## Adss opgw double suspension clamp

Enhance your energy solutions with top-quality adss opgw double suspension clamp . Boost efficiency, ensure reliability, and support your business needs with versatile options.



## ADSS Cable for Power Lines: When and Why to Use It

Installing fiber optic cable near power lines is challenging. High voltage, electromagnetic interference, lightning exposure, and long-span deployment can quickly damage unsuitable cables or increase



## How to Choose the Right Aerial Fiber Cable?

Choosing the wrong aerial fiber cable can increase installation costs and future maintenance. Here's how to pick the right cable for your project.

## Top 30 Best Fiber Optic Cable Manufacturers in China

China is at the forefront of fiber optic cable manufacturing, with numerous companies delivering high-quality and innovative products. Here's an



## #downloadclamp #adssfittings #opgw #cablemanagement #

Keep your cables neat and secure ? with the ADSS Download Clamp. Installed on poles or towers, it guides fiber optic cables safely along the structure, preventing tangling and damage ?

## Cómo elegir el cable de fibra aérea

¿Qué es el cable de fibra óptica aéreo? Aerial fiber optic cable is an outdoor optical cable installed above ground on poles or towers instead of being buried underground.



### FOSC-OPGW

2 OPGW cables 2 ADSS or conventional buried fiber optic cables Cable seals are manufactured from heatshrinkable material Internal storage utilizes FOSC splice trays which are hinged for access to

### OPGW Accessories

OPGW CABLE ACCESSORIES Optical Fibre Ground Wire is an instrument used for communication and surge protection in transmission lines. ADSS Accessories include Tension Assembly (Clamp),



### Metallic Armored GYTZA Fiber Optic Cable

GYTZA Fiber Optic Cable by EPCOM: A flame-retardant, armored outdoor solution featuring LSZH jacket and APL moisture barrier for superior network reliability.

### OPGW Installation Accessories - Premium



## Cable Grips

ZION Communication focuses on optical fiber cable hardware products, offering FTTH and ADSS series solutions--including stainless steel, nylon, and



### Optical cable fittings ADSS OPGW wedge-shaped

This wedge clamp composed of an opened thermoplastic body with very high mechanical and climatic resistance, an inner sheath consisting one or two

### Hardware For OPGW Cable

Downlead clamps are used to guide optical ground wire (OPGW) from the top of the structure to the splice box. GL FIBER's downlead clamps install easily, provide



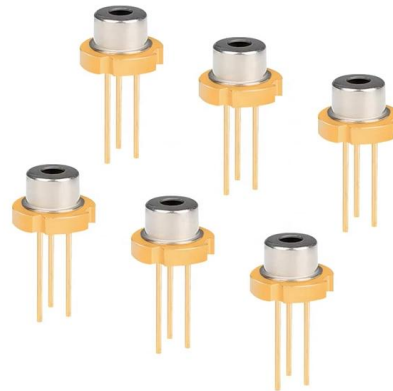
### Dead-Ends

PLP transmission, distribution, substation, fiber optic, solar, and EV solutions protect and connect overhead electric power lines and communications networks.



**Shenzhen Hope Technology Holding Co.,LTD**

At Shenzhen Hope Technology Holding Co.,LTD, we offer Fiber optic cable, ADSS and more to meet your needs. Find the products you're looking for today.



**Optical Ground Wire (OPGW) Fiber Optic Cable Hardware**

Products Fiber Optic Cable Conductor  
Accessories Fiber Optic Connectivity Test and Inspection Fusion Splicing Specialty Optical Fiber



**FIBERLIGN® Cushion Clamp**

The FIBERLIGN Cushion Clamp uses a combination of structural reinforcing rods (SRR) and elastomer inserts at the ends of the clamp halves to protect the



**How to Install an Anchor Tension Clamp for Fiber Optic Cable**

Anchor tension clamp installation guide for drop cable systems. Easy step-by-step setup with secure fastening for FTTH and aerial fiber networks.





## Download Clamps for OPGW and ADSS

AFL download clamps are used to guide optical ground wire (OPGW) from the top of the structure to the splice box. AFL's download clamps install easily, provide proper spacing and hold strength without



## Contact Us

---

For datasheets, pricing, or custom high-speed optical interconnect solutions, please visit:  
<https://www.syropy.com.pl>