

Off-grid power supply system 48V for power system use





Overview

More solar is possible on lower voltages, but it requires multiple controllers, adding cost and complexity. Depending on your inverter size and shore power input (30A vs 50A), you may be limited to certain system. Choosing the right 48 volt solar panels is crucial for maximizing energy production in residential, RV, and off-grid setups. The ROCKSOLAR 3500W 48V Off-Grid Solar System offers the most comprehensive power solution yet for US cottage/rv owners. It boasts reliability and high efficiency, providing off-grid power at your convenience. Most homeowners and small business owners are selecting 48V solar power systems as they deliver superior energy efficiency. Below are carefully selected modules and kits designed to optimize 48V systems, including bifacial technology, portable panels, flexible cells, and complete.



Off-grid power supply system 48V for power system use



Off Grid Solar Kits

Reliable off grid solar kits for Australian homes. Our stand-alone solar power systems offer sustainable & independent energy solutions tailored to your needs.

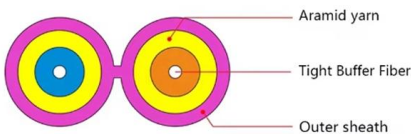
HOW TO DESIGN A 12V / 24V / 48V POWER SYSTEM: THE

Choosing the right voltage for your off-grid power system is one of the most critical decisions you'll make. Whether you're outfitting an RV, designing a marine electrical system,



48 Volt Solar System , Solar Panel Kits

This complete solar power system offers an all-in-one solution for off-grid living,



How to Decide Between a 12V, 24V, and 48V Off-Grid

This guide explains the key differences, pros and cons, and how to choose the right voltage for your off-grid, RV, or solar power setup so you can design a safe,



Hybrid Inverter Supplier , Off Grid Hybrid Solar Inverters

How solar hybrid inverter Works Solar Hybrid Inverter System Connection A newly designed solar and energy storage hybrid solar inverter, capable to install in on



Photovoltaic Power Supply System for

Photovoltaic panels convert solar energy into electrical energy, and then output -48V DC through solar power optimizer MPPT technology. The junction box gathers



Energy Markets Race to Solve the AI Power Bottleneck

Developers expect power constraints by 2027-2028 due to underinvestment in grids and potential supply chain disruption. Off-grid is rising. Natural gas, microgrids, batteries, nuclear and



48V Solar Power Systems: Your Guide to Off-Grid Living

Learn about 48V solar power systems for off-grid living. Perfect for home backup, off-grid cabins, and renewable energy enthusiasts



3.6kW 48V Complete Off-grid solar power system 12 x 300W solar

The Photonic Universe 3.6kW 48V Complete Off-Grid Solar Power System is the ultimate, convenient, ready-to-use solar power kit for off-grid living, providing a consistent source of power for all your

Best Hybrid Grid-tie Off-grid Inverters 48v [Updated: May 2026]

The common applications best suited for 48V hybrid inverters include renewable energy systems, backup power supplies, electric vehicle chargers, and off-grid power installations.



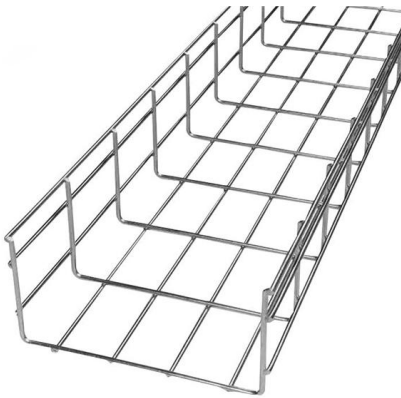
EPEVER 100A MPPT Solar Charge Controller, Dual PV Input

2. [INNOVATIVE NO-BATTERY MODE] Can I run a solar system without batteries? Yes! The TEP10425 supports an advanced battery-less operation mode. When there is sufficient sunlight, it can directly



ECO-WORTHY 10KW Output 9.36KWH Off Grid Solar

ECO-WORTHY 10KW Output 9.36KWH Off Grid Solar System Complete Kit for Home:12pcs 195W Solar Panels (2340W)+10KW 120V/240V Inverter (UL 1741)+



3kW Residential Small Power System Off-Grid System For Stable

Premium 3kW Residential Small Power System Off-Grid System for Stable Independent Electricity Supply manufacturer. Future Green offers 20+ years of solar expertise and full OEM/ODM support.

50 kWh 48V LiFePO4 Battery with BMS

EXLIPORC 48V 51.2 Volt Lithium Battery Pack 100ah 200ah 10kwh 15 kw Energy Storage Lifepo4 Lfp for Solar Home System Product descriptions from the supplier High Efficiency: 15kWh capacity



Best 48 Volt Solar Panels for Efficient Off-Grid and Home Power

This article highlights leading solar panel kits and individual panels featuring bifacial technology, high-efficiency N-type cells, and flexible designs suitable for various applications. Below



Inverter, Solar Inverter, Home Power Inverter , inverter

300 watt solar on grid inverter, grid tie inverter, pure sine wave output, converts 12V/24V DC to 120 AC, 48V DC to 230V AC is optional. Grid tie solar inverter with high performance MPPT and APL

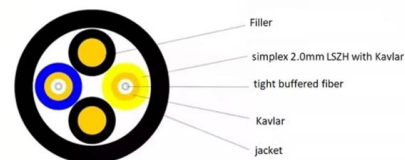


20kw Home Power Supply Solar Energy Hybrid System Manufacturer

Wholesale Solar's technicians design home power systems for both off the grid and grid-tied systems for all areas of the country and at all price levels. The systems on this page are all stand-alone systems,

48V Solar Power System Setup Guide: Using Hybrid

To know the right 48V solar power system and configure it, refer to this guide. The guide will explain a few aspects of off-grid solar installations such



Home Solar Energy Solutions , Hybrid & Off Grid Solar

Discover reliable solar energy systems at SunGoldPower. We specialize in off-grid, hybrid, and commercial solar power systems designed to maximize energy



800W Archimedes Vertical Wind Turbine, 12V/24V/48V Spiral Wind

? HIGH-EFFICIENCY OFF-GRID POWER This 800W Archimedes vertical wind turbine is designed for 12V / 24V / 48V battery systems, delivering stable renewable energy for homes, cabins, farms, RVs,



Lithium Battery Packs , BigBattery , Your Source for Power

BigBattery solar LiFePO4 batteries deliver premium, high-performance energy storage for residential grid-tied systems engineered for reliability, longevity, and

48V Offgrid Solar Power System

The best method to use this system in a legal fashion, is to hire a licensed electrician to install a transfer switch for your homes critical loads. Then have the electrician



3500W 48V Off-Grid Solar Power System

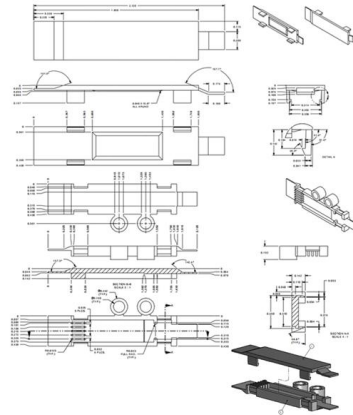
Complete 3500W, 48V off-grid solar system. This comprehensive off-grid solar

Best 48 Volt Solar Panels for Off-Grid Power



and RV Living

Below are carefully selected modules and kits designed to optimize 48V systems, including bifacial technology, portable panels, flexible cells, and



**30kWh Residential Solar Storage System
512v 600ah LiFePO4**

48V 51.2V 200AH 100AH Split CAN Lithium
Battery 5KWH 10KWH BMS Solar Energy Storage
System for Home Use Smart BMS LiFePO4 15kwh
50 kwh 51.2V 200Ah 300Ah 314Ah Lifepo4
Lithium Solar

Contact Us

For datasheets, pricing, or custom high-speed optical interconnect solutions,
please visit:
<https://www.syropy.com.pl>