

Notice Regarding Optical Fiber Cables





Overview

219/13/2024-GST dated June 26, 2024, clarifying the availability of input tax credit (ITC) on ducts and manholes used in the network of optical fiber cables (OFCs) under section 17 (5) of the CGST Act, 2017. This document outlines the specifications for a single-mode optical fiber and cable designed for use around the 1310 nm zero-dispersion wavelength, suitable for both the 1310 nm and 1550 nm regions, and compatible with analogue and digital transmission. This work materialized through the development of good practices, procedures and specifications documents, reflecting a certain state of the art at a given time, and the result of a consensus of all stakeholders (op
lable. Arlington VA (May 12, 2026) - The Telecommunications Industry Association (TIA) TR-42. The Client intends to apply a portion of the funds to eligible payments under the contrac f in o id th ids will be rejected and returned unopen d.



Notice Regarding Optical Fiber Cables

5 Vital Safety Rules for Fiber Optic Cables

There are plenty of hazards to watch for when working on commercial and industrial networks. Fiber optic cable can seem safe; it doesn't carry an electrical charge, and it's not a heat



Handbook Optical fibres, cables and systems

It is an honour to present you with the latest version, which is another example of how ITU-T is bridging the standardization gap between developed and developing nations. I trust that this manual will be a



TIA Issues a Ballot and Public Review Notification for TIA-455-88-A

Arlington VA (May 12, 2026) - The Telecommunications Industry Association (TIA) TR-42.12 Engineering Committee on Optical Fibers and Cables has issued a ballot and call for comments for

Frequently Asked Questions

A: The fiber is glass and the cable is plastic, neither of which are affected by electromagnetic interference. There is a cable used in electrical transmission



CBIC Circular No. 219/13/2024-GST: Input Tax Credit on

Read CBIC Circular No. 219/13/2024-GST dated June 26, 2024 clarifying input tax credit (ITC) eligibility on ducts and manholes used in optical fiber cable (OFC)



Tender Notice Optical Fiber and accessories

TENDER NOTICE (TN) TITLE OF TENDER: SUPPLY OF OPTICAL FIBER CABLE AND ACCESSORIES (FIBER CABLES, TOOLS, AND ACCESSORIES)
TENDER REFERENCE:



Standards Updates for Optical Fiber: What You Need to

Industry standards for optical fiber cables, components, systems and applications continually evolve and progress in an effort to ensure interoperability,





Understanding NEC Article 770

Master the code with our guide to Understanding NEC Article 770. Learn essential safety, installation, and grounding rules for optical fiber cables.



Fiber-optic cable

A fiber-optic cable, also known as an optical-fiber cable, is an assembly similar to an electrical cable but containing one or more optical fibers that are used to carry

TB003

All optical fibre panels and enclosures shall be labelled with warning markings to warn of the potential that hazardous laser levels may be present. The laser



Commission Implementing Regulation (EU) 2024/1943 of 11 July 2024

On 16 November 2023, the European Commission ('the Commission') initiated an anti-dumping investigation with regard to imports of optical fibre cables ('OFC') originating in India ('the



Standard for Installing and Testing Fiber Optics

Safety in fiber optic installations specifically includes avoiding exposure to light radiation carried in the fiber; disposal of fiber scraps produced in cable handling and termination; and safe handling of

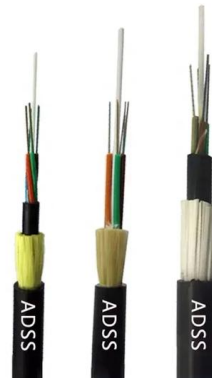


Notice Regarding Policy for Expanding Optical Fiber and SWR®/WTC

Notice Regarding Policy for Expanding Optical Fiber and SWR®/WTC® Production Capacity At today's Board of Directors meeting, Fujikura Ltd. (Fujikura) resolved to adopt a policy to proceed with capital

Global Fiber Optic Tenders, Bids & Contracts

Find latest Fiber Optic tenders worldwide. Explore newspapers, e-tenders, government contracts, bids, and procurement notices from global buyers.



NOTICE OF INITIATION Optical Fibre Cables

The date of initiation of the investigation is 26 April 2022. The Application was made on behalf of the UK industry in optical fibre cables (the Application). A non-confidential copy of the

NVIDIA and Corning Announce Long-Term Partnership to Strengthen



NVIDIA (NASDAQ: NVDA) and Corning Incorporated (NYSE: GLW) today announced a multiyear commercial and technology partnership to dramatically expand U.S.-based manufacturing

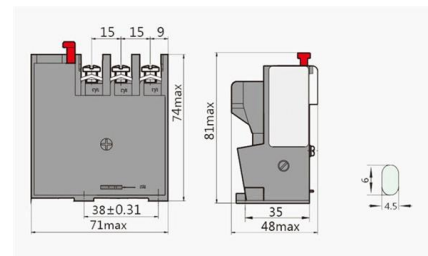


Australian cabling standards

Telecommunications (Labelling Notice for Customer Equipment and Customer Cabling) Instrument 2025 (the TLN) Telecommunications (Types of Cabling Work) Declaration 2024. To view all industry

National Electrical Code Tips: Article 770, Optical Fiber Cables and

With optical fiber, only those sections in Chapter 2 and Article 300 referenced by Article 770 apply [770.3]. Fiber optic cables don't carry current (unless they are composite types), so you don't need to



Optical Fiber , Optical Fiber Products , Corning

Optical fiber broadband brings together a culture of innovation, quality, and manufacturing excellence to create life-changing products.



Notice of initiation of an anti-dumping proceeding concerning imports

All interested parties wishing to comment on the complaint (including matters pertaining to injury and causality) or any aspects regarding the initiation of the investigation (including the

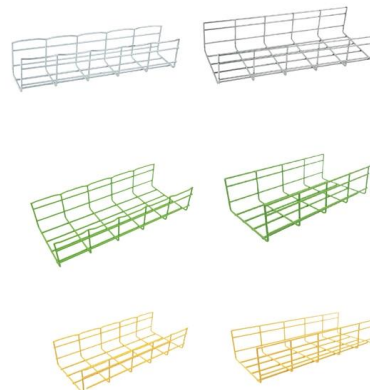


Recommendation ITU-T G.652 (08/2024)

This document outlines the specifications for a single-mode optical fiber and cable designed for use around the 1310 nm zero-dispersion wavelength, suitable for

Procurement of Fiber Optic Cable Cmo Tender, ID 141100123

The CITY OF ILIGAN, LANA DEL NORTE has issued a Tender notice for the procurement of a Procurement of Fiber Optic Cable - Cmo-Rfq-2026-05-018190 in the Philippines. This Tender notice



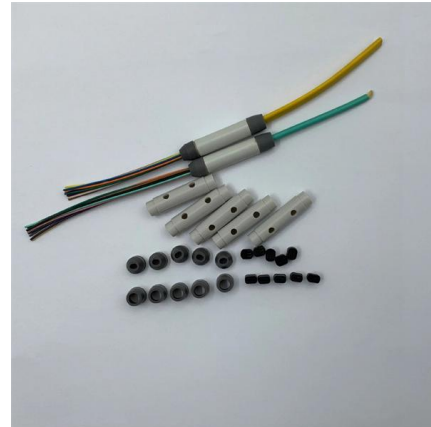
Procurement of 24 km of 144 core fiber Tender, ID 141047433

The Emirate Afghan Telecom Company has issued a Tender notice for the procurement of a Procurement of 24 km of 144 core fiber optic cable to provide FTTB services in Balkh zone in the

Overview of optical fibres standardization



Readers of this document are encouraged to seek information on specific matters regarding Optical cables and components from the manufacturer or provider and to consider the Technical Standards

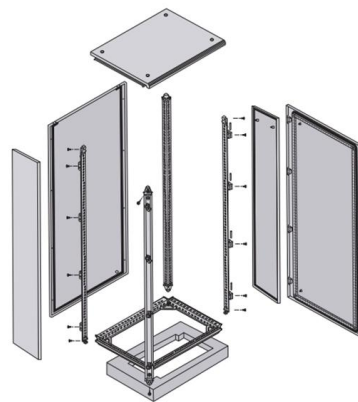


GS confirm key CPO supply chain opportunities. -> CPO 2026-2028

Paradis Labs (@ParadisLabs). 296 likes 24 replies. GS confirm key CPO supply chain opportunities. -> CPO 2026-2028 TAM of \$97B: 1. Optical engines & FAU: \$60.99B 2. Fiber cable &

Acceptance of test report or certification for Optical Fibre (Single

A generic exemption from submission of test reports for below mentioned test parameters pertaining to various ERs of Optical Fibre (Single Mode) and Optical Fibre Cable products notified



Contact Us

For datasheets, pricing, or custom high-speed optical interconnect solutions, please visit:

<https://www.syropy.com.pl>