

Norwegian Optical Power Meter Sales Company





Norwegian Optical Power Meter Sales Company

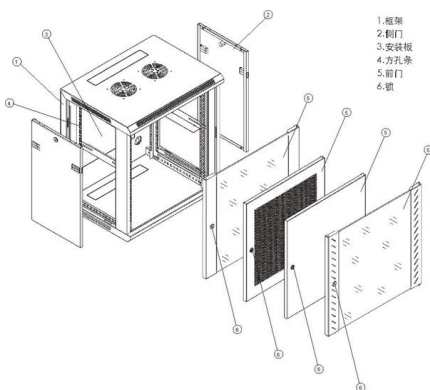


Norway Power Monitoring Meters for Data Centers

This report on the Norway Power Monitoring Meters for Data Centers market employs a rigorous, multi-faceted research methodology to ensure analytical depth and accuracy.

Find Your Distributor

Elcometer has 11 global offices and over 80 Distributors around the world, all comprehensively trained on our products, providing a full after sales service and

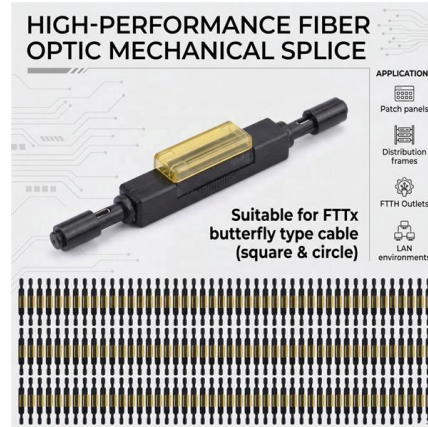


Optical Meter

Benchtop Power & Energy Meters
Handheld Power & Energy Meters
Virtual Power Meters
Optical Wavelength and Power Meters
Optical Power Meter & Sensor Kits

Global Optical Fiber Power Meter Market Size, Share, Industry Growth

Discover comprehensive analysis on the Optical Fiber Power Meter Market, expected to grow from USD 350 million in 2024 to USD 600 million by 2033 at a CAGR of 6.5%. Uncover critical growth factors,



Optisk multimeter opm Produsent, leverandør

The optical multimeter OPM is a revolutionary unit that brings safety and effectiveness to companies that count on fiber optic cables. It utilizes advanced technology provide accurate readings of light energy,

LASER COMPONENTS Nordic

Ever since its establishment in 2014, the company has exhibited consistent growth, serving more than a hundred buying customers across Sweden, Denmark,



About Us , HySpex

About HySpex HySpex is a leading global brand in hyperspectral imaging, known for stable, flexible sensors with exceptional data quality. The technology stems from





Optical Power Meters: Understand Their Uses and Internals

Optical power meters are indispensable instruments for testing and maintaining modern fiber optic communication and other



Smart power meter

TriBrer is a company that focuses primarily on R& D manufacturing, as well as selling fiber optic solutions. They also provide after-sales service. Due to our superior quality services, price, and



Norsk Elektro Optikk AS , LinkedIn

Norsk Elektro Optikk AS , 2 735 følgere på LinkedIn. Pioneering Electro Optics since 1985. Leading R& D, Manufacturing Advanced Products. Home of HySpex



Optical Power Meters - Buying Guide & Supplier List

This optical power meters buying guide provides technical background, comparison of major types, selection criteria, and an overview of suppliers.



Handheld Optical Power Meter, Light Source

Light Source AQ4280A AQ4280B AQ4280C Two versions of power meters to suit test applications Standard version (AQ2170, AQ2180): +10 dBm max. High power version (AQ2170H, AQ2180H): +26



89P 36P 16P

Optical Power Meters Market

The global optical power meters market size was valued at approximately USD 170 million in 2023 and is projected to reach USD 290 million by 2032, growing at a compound annual growth rate (CAGR)



Optical Power Meter Market Size, Share, and Trends

Optical power meters were used to test the average amount of power in fiber optic networks and systems. A power meter is a combination and integration of a



Norwegian Electric Systems - Raising the bar

Norwegian Electric Systems prepares you for a greener future at sea. We provide integrated power, automation, and navigation solutions and services for the next





Optical Power Meter Manufacturers

An Optical Power Meter is a device used to measure the power of an optical signal, typically in units of dBm or watts. The leading manufacturers of Optical Power Meters are listed below. Narrow down on



Energy Meters and Optical Power Meters Suppliers

Discover 144 Energy Meters and Optical Power Meters manufacturers and distributors on GlobalSpec. Find products, technical articles, videos, and more.

Optical Power Meter Calibration , Kingfisher International

Optical Power Meter Calibration We can calibrate your Fiber Optic Power Meters at two service price levels: ISO9001 or ISO/ IEC 17025 We check the cleanliness of the optical detector. If we find a



Handheld High Precision Fiber Optic Power Meters

Optical Power Meters (OPMs) are indispensable tools for Fiber Technicians and Field Installers as well as for fiber engineers assessing the available fiber plant. The Power Meters can be used to measure



Optical Power and Energy Meter Market 2025

FREQUENTLY ASKED QUESTIONS: What is the current market size of Global Optical Power and Energy Meter Market? -> Optical Power and Energy Meter size was valued at US\$ 234.5 million in

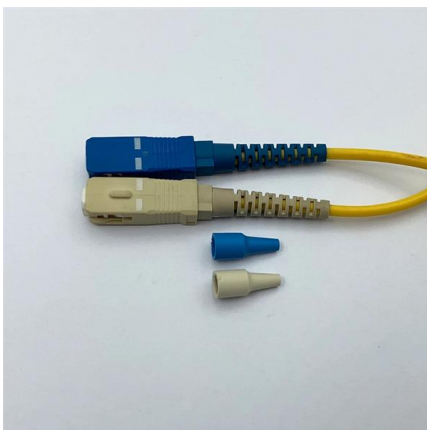


Norways smart meter journey completes as 99 % of

The planning of modern smart meters in Norway began in the early 20's, with 2019 being the year when NVE made it a legal requirement for every

Norway Optical Power Meter Market (2025-2031) , Trends & Outlook

Norway Optical Power Meter Market (2025-2031) , Segmentation, Value, Analysis, Forecast, Trends, Industry, Share, Growth, Competitive Landscape, Outlook, Companies, Size & Revenue



Laser Power and Energy Meter

Laser Power and Energy Meters Ophir laser power meters work on the smart plug principle This means that almost any Ophir power meter can work - plug and play

KONGSBERG is an international, knowledge-based group that supplies high-technology systems and solutions to customers engaged in the oil and gas



Optical Power Meters & Monitors

Find the Best Prices on the Best Optical Power Meter Products, Over 200 Optical Power Meters, Power Sensors, Energy Sensors, Beam Profilers, and Wavelength Meters, Compare ALL OF THE BRANDS

Norway Power Meter Market (2025-2031) , Trends & Outlook

6Wresearch actively monitors the Norway Power Meter Market and publishes its comprehensive annual report, highlighting emerging trends, growth drivers, revenue analysis, and forecast outlook.



26 Optical Power Meter Manufacturers in 2026

This section provides an overview for optical power meters as well as their applications and principles. Also, please take a look at the list of 26 optical power meter manufacturers and their company rankings.



Top 46 Optical Sensor Manufacturers in Norway (2026) , ensun

Discover all relevant Optical Sensor Manufacturers in Norway, including SmartOptics and IDEX



Optical power meter Manufacturer,Supplier

Optical Power Meter Overview Optical power meters are acclimatized to determine the power quantity of a sign optical a thing fiber-optic, similar to the fiber optic



Top 41 Smart Meter Companies in Norway (2026) , ensun

Heimdall Power specializes in optimizing power grids through innovative technology that enhances grid capacity and supports the transition to a digitized electric grid. Their commitment to sustainability and



Contact Us

For datasheets, pricing, or custom high-speed optical interconnect solutions, please visit:
<https://www.syropy.com.pl>