

Nordic Explosion-Proof Distribution Box Sales Company





Nordic Explosion-Proof Distribution Box Sales Company



Ex Local Control Stations & Distribution Boxes

Atex control stations, explosion protected control units and distribution boxes made stainless steel maritime grade AISI 316L or AISI 304L. Atex Delvalle provides a

Box Enclosures & Distribution Panels

Home / Category Lightings Control Equipment Installation Equipment Cable Gland and Pipe Fittings AC & Ventillation System Distribution Boxes and Empty



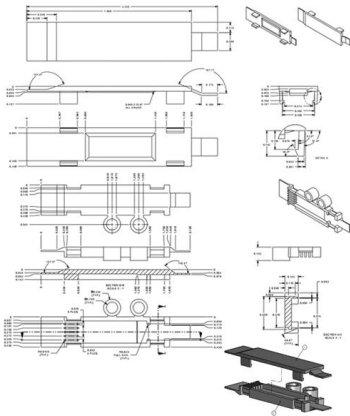
Explosion proof Lighting Distribution Box- Ouhui Lighting

Explosion proof Lighting Distribution Box, products shock-resistant and durable, energy-saving and environmentally friendly, models and styles are complete,



Explosion Proof Distribution Box , ATEX Transformer Supplier

We supply certified explosion proof distribution box & Atex Transformer -Appleton, ATKON, CZ, CEAG, brands for safe and reliable industrial use.

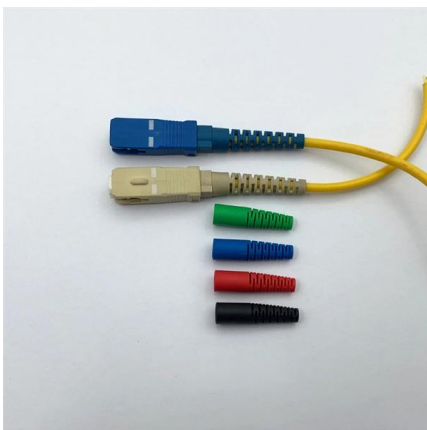


Custom CZ1290 Explosion-proof distribution boxes

CZ Electric Co., Ltd is a Custom CZ1290 Explosion-proof distribution boxes suppliers and company, Modular design Easy operations with windows Operating handles

DISTRIBUTION BOARDS

These are available in a range of materials including Stainless Steel, GRP & Sheet Steel from IP42 (Indoor) to IP 66 (Outdoor) Applications.



Explosion Proof Illumination Distribution Boxes (With

Flameproof and explosion proof, these power overhaul distribution boxes are suitable for use in hazardous areas. Specs: Ex mark: Ex de IIC T4 Gb DIP A21 TA,T4



BM (D)X-Series Explosion Protected Distribution Box

BM (D)X-Series Explosion Protected Distribution Box Explosion protection -IECEX (IEC) -ATEX (CENELEC,EN) -China Ex (GB) Application in hazardous area



Energy Distribution

BARTEC offers one of the most extensive ranges of explosion-proof and substance-resistant components, devices, and systems for controlling, switching, and

5 Key Factors to Consider When Selecting Explosion Proof Distribution Boxes

Selecting explosion-proof distribution boxes protects the safety of your staff in any potentially hazardous workplace. HEXLON stands out as a trusted provider of explosion-proof



Explosion-Proof Control & Distribution Boxes

The MAMX02/03 Series Explosion-Proof Control and Distribution Boxes are engineered to deliver advanced protection and long-term performance



Strategic Projections for Explosion-Proof Distribution Box Market

Explore the booming explosion-proof distribution box market, projected to reach [Final Value in 2033] million by 2033. This comprehensive analysis covers market size, CAGR, key drivers,



Explosion-Proof Lights, Explosion-Proof Junction Box,

Shenhai: With 25 years of expertise, we lead in manufacturing high-quality explosion-proof lights, junction boxes, and pipe fittings for hazardous environments. Trusted

Distribution Boxes

Distribution Boxes BXM (D)8061 Explosion proof Distribution Boxes Lighting or Power (Ex db ec IIC)



HRMD92 Explosion proof Distribution Box (Ex d IIB+H2)

Warom Explosion proof Distribution Box (Ex d IIB+H2) in 316 stainless steel. Available with a wide range of built in components.



Tailored explosion-proof panel boards , Cortem S.p.A.

Thanks to a proven expertise and over 50 years of experience, Cortem Group designs and manufactures special solutions such as electrical panels for lighting, distribution, signalling, motive



Evaluating Chinese Explosion Proof Distribution Box Suppliers

Selecting the right Chinese explosion proof distribution box supplier is a critical decision for any industrial operation involving hazardous environments. This choice directly impacts the

Explosion-Proof Lights, Explosion-Proof Junction Box,

Shenhai: With 25 years of expertise, we lead in manufacturing high-quality explosion-proof lights, junction boxes, and pipe fittings for hazardous environments.



Global Explosion-Proof Distribution Box Market Size, Growth Trends

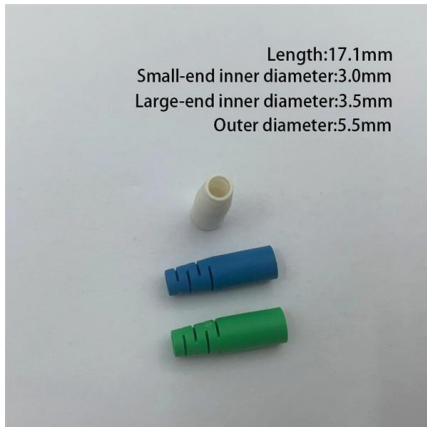
Delve into detailed insights on the Explosion-Proof Distribution Box Market, forecasted to expand from USD 2.5 billion in 2024 to USD 4.1 billion by 2033 at a CAGR of 5.6%. The report

Explosion-proof distribution box: the



"invisible guard" protecting

In high-risk industries such as petrochemicals, mining, and pharmaceuticals, the stability and safety of power equipment are crucial. The explosion-proof distribution box is the "invisible



Explosion-proof box explosion-proof cabinet_explosion-proof

Tengda Explosion-proof Technology Co., Ltd. produces explosion-proof distribution boxes, explosion-proof lighting distribution boxes, explosion-proof junction boxes, explosion-proof electrical control

BXM (D)8061 Explosion proof Distribution Box

Warom BXM(D)8061 Explosion proof Distribution Boxes are manufactured from stainless steel and can be customised to client requirements



Warom Explosion Proof Equipment , ATEX IECEx

Warom specializes in manufacturing explosion-proof electrical equipment, with products covering explosion-proof lighting fixtures, explosion-proof distribution



Terminal boxes , Junction boxes , Ex , Ex e , Ex d , ATEX , Explosion

Safely conduct, connect and distribute energy in hazardous areas with R. STAHL's terminal boxes. We offer bespoke, custom-made terminal boxes and terminal box combinations, as well as standard



Distribution Boxes

Distribution Boxes BXM (D)51 Series Explosion proof Distribution Boxes Lighting/Power (Ex d e IIB) Distribution Boxes BXM (D)53 Explosion proof

Contact Us

For datasheets, pricing, or custom high-speed optical interconnect solutions, please visit:
<https://www.syropy.com.pl>