

Nicaragua Telecom-Grade Router LPO





Nicaragua Telecom-Grade Router LPO

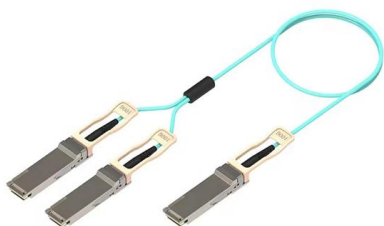


Nicaragua Communications 2024, CIA World Factbook

NOTE: The information regarding Nicaragua on this page is re-published from the 2024 World Fact Book of the United States Central Intelligence Agency and other sources. No claims are made regarding

Nicaragua

On 18th November 2025, the Nicaraguan Institute of Telecommunications and Postal Services (TELCOR) published Administrative Agreement No. 004-2025 - Regulations for Approval of



How to Get TELCOR Nicaragua Approval for Your Products

Getting your products approved by the Nicaraguan telecommunications authority may seem challenging, but understanding the steps and requirements in advance makes the process much easier.

Nicaragua TELCOR Updates Telecom Regulations in La Gaceta No.

This update directly affects all organisations that manufacture, import, or distribute telecommunications and radio communication equipment in Nicaragua -- including Wi-Fi routers,



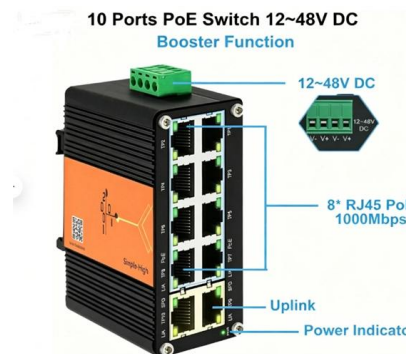
Communication in Nicaragua , Nicaragua

Communication services provided in Nicaragua include mailing services, cellular services, telephones, mass media and high speed internet connectivity.



Analysis of Nicaragua's Telecoms, Mobile and Broadband Markets,

"Nicaragua - Telecoms, Mobile and Broadband - Statistics and Analyses" Tweet this The outbreak of the Coronavirus in 2020 is having a significant impact on production and supply chains



Nicaragua TELCOR Enacts Import and Labeling Rules

TELCOR will now maintain and publish two official lists: one for restricted equipment and another for devices that are prohibited entirely from importation. These lists aim to clarify which

Nicaragua Telecom Regulations 2025: Key Compliance Updates



Under the new framework, all telecommunications products entering Nicaragua must obtain a No Objection Certificate (NOC). This requirement applies universally, regardless of product



Nicaragua's telecoms market: The state-of-play

An overview of the country's telecoms accesses as of end-march.

Preferred mobile operators in Nicaragua 2024, Statista

In a 2024 survey, Tigo -- which acquired Movistar in 2019 -- was preferred by ** percent of respondents in Nicaragua as their top-of-mind mobile



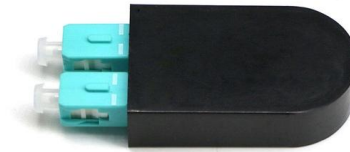
Red óptica pasiva con capacidad de gigabit (GPON) , Soluciones

Principales Características Última milla en fibra óptica pasiva. Conectividad asimétrica con upload de 50% de la velocidad contratada. Burst hasta un 10% velocidad contratada. Interfaz ethernet

Telecomunicaciones



iTelecomunicaciones! Importación y Homologación de equipos ¿SABÍAS QUÉ? Para la importación de equipos a Nicaragua, dispositivos tecnológicos o equipos de telecomunicaciones, se requiere



Nicaragua Telecom Regulation Update - TELCOR Administrative

TELCOR's six agreements aim to deliver a consolidated, modernized regulatory environment for Nicaragua's converged telecom and audiovisual sectors. The reforms standardize licensing, reinforce

Nicaragua: TELCOR publishes key regulations for telecommunications

On November 6, 2024, the Government of Nicaragua approved Law No. 1223, General Telecommunication Convergence Law, which aims to promote technological convergence and



Nicaragua Telecom Equipment Approval Changes

Following the implementation of the General Convergent Telecommunications Law, TELCOR clarified how Nicaragua telecom equipment approval will operate in practice.



Nicaragua TELCOR Releases Telecom Equipment

The regulation was officially issued on November 18, 2025, and has entered into force. According to TELCOR, the new regulation does not introduce major

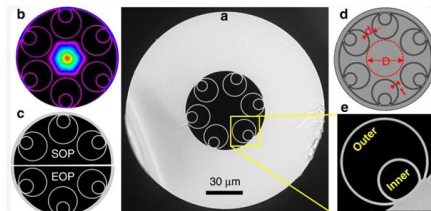
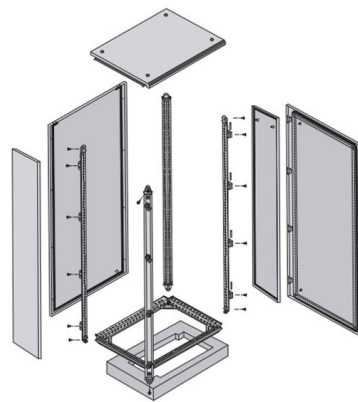


Nicaragua Telecoms Market report, Statistics and Forecast 2020 2025

Nicaragua's telecoms market has mirrored the country's poor economic achievements, with fixed-line teledensity and mobile penetration also being the lowest in Central America. The fixed line

Inter-American Development Bank

Hier sollte eine Beschreibung angezeigt werden, diese Seite lässt dies jedoch nicht zu.



TELCOR

Conoce el proceso y requisitos para obtener el Certificado de Homologación de Equipos de Telecomunicaciones en Nicaragua, garantizando calidad y seguridad.

Nicaragua Type Approval , Homologation



requirements

We provide high-quality and reliable services for approval in Nicaragua. Our affiliation with authorities in Nicaragua and relationship with the Nicaraguan Institute of



New Telecommunications Law Approved by Lawmakers o Nica-Biz

New Telecommunications Law was approved by the National Assembly of Nicaragua on the 31st October 2024 and published in La Gaceta 204/2024.

TELCOR

TELCOR- Regula y supervisa telecomunicaciones y servicios postales, gestionando frecuencias y permisos para asegurar el cumplimiento de las leyes vigentes.



Certification Requirements for Nicaragua , TELCOR

Type approval is required for all telecommunications equipment that is directly or indirectly connected to or allows access to public telecommunication networks;
Telecommunications equipment sold in



Nicaragua Telecommunication systems

Telecommunication systems: general assessment: with authoritarian government, weak public institutions, and impoverished citizenry, Nicaragua's telecom system is dependent on



Telecommunications in Nicaragua

Telecommunications in Nicaragua
Telecommunications in Nicaragua include radio, television, fixed and mobile telephones, and the Internet.

Country profile: Nicaragua

On the telecom front, Millicom finalised the takeover of Movistar in May 2019. Since then, Claro and Tigo Nicaragua have been competing in the mobile sector alongside Xinwei's Cootel. Prior



Contact Us

For datasheets, pricing, or custom high-speed optical interconnect solutions, please visit:
<https://www.syropy.com.pl>